

# Terminal Block Rising Clamp 20.346M/xx-E



5.00mm Pitch, 300V 16A, Rising Clamp Terminal Block, Green, Slot Head, Modular Block

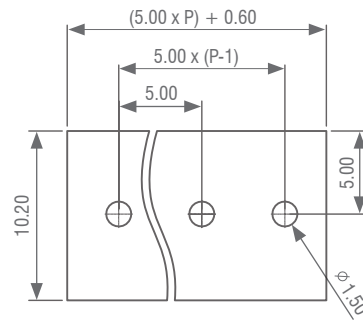
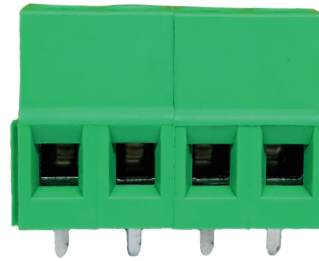
## Key Features

- 300V 16A
- UL94-V0
- PA66
- 5.00mm Pin Pitch
- Modular
- RoHS Compliant
- Supplied in tube
- xx = Number of Poles (available from 2~24 poles)
- Slot Head Screw

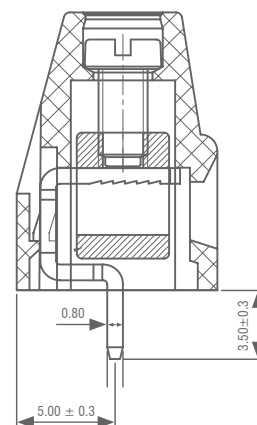
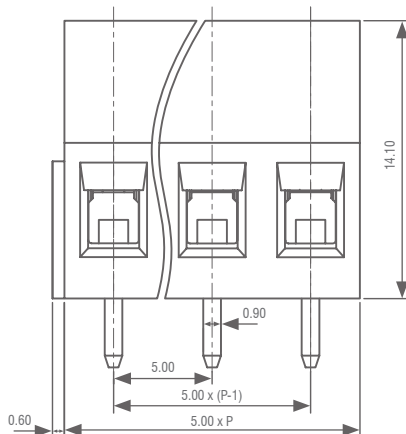
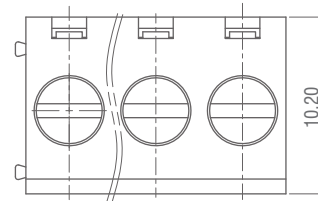


## Technical Data

Pitch	5.00mm
UL Rating	300V 16A
IEC Rating	250V 18A
Solder Pin	Copper Alloy, Tin Plated
Wire Clamp	Copper Alloy, Nickel Plated
Wire Range	22~12AWG (2.5mm <sup>2</sup> )
PCB Hole Diameter	1.50mm
Stripping Length	6~7mm
Screw	M2.5 Steel (Zinc Plated)
Screw Type	Slot Head
Screw Torque	0.4Nm (3.6lb/in)
Insulation Voltage	AC2000V / 1 Min
Initial Contact Resistance	20mΩ
Insulation Resistance	500MΩ / DC500V
Temperature Range	-40 to +105°C
Max Soldering	+250°C for 5 sec



PCB Layout



Dimensions shown in mm P = No of Poles

Supplied in green as standard

Other colour options and printing may be available depending upon quantity  
Please contact IMO for further information