

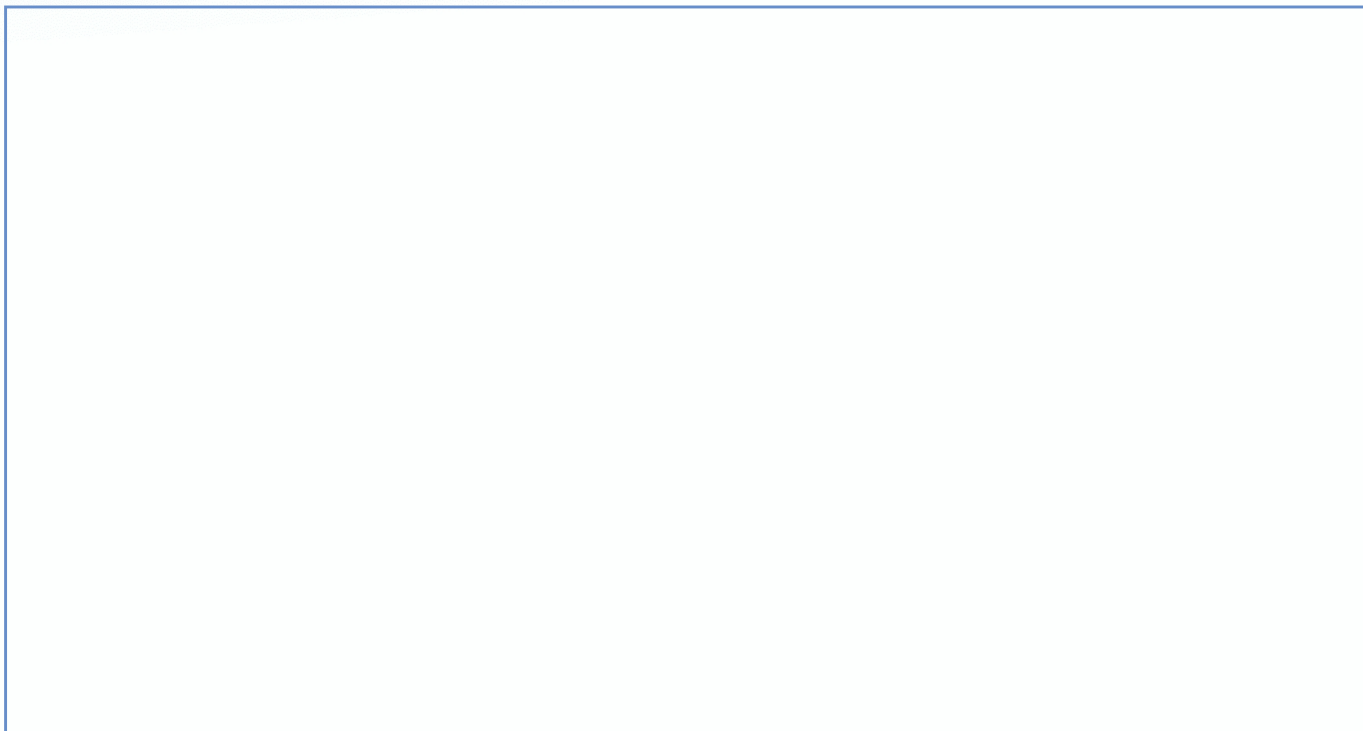
PRODUCT DESCRIPTION:

AP_T41

PRODUCT CODE:

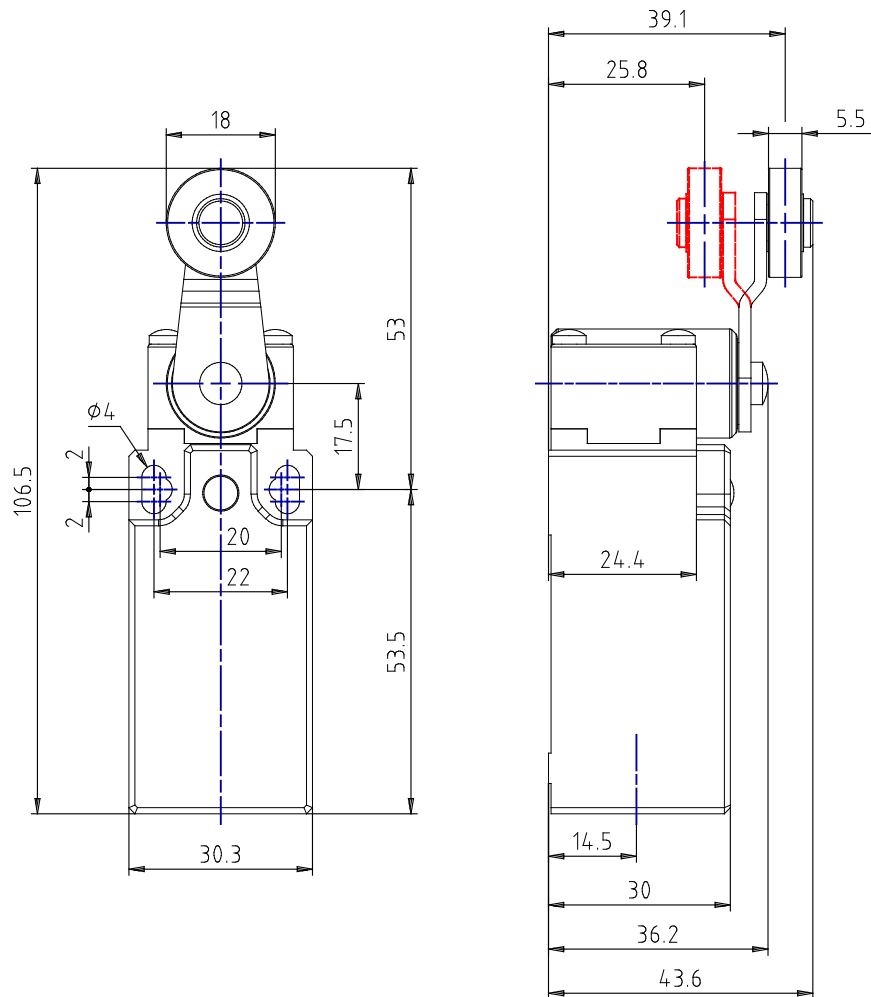
AP1T41Z11

DYNAMIC 3D VIEW:



STATIC 3D VIEW:



TECHNICAL VIEW:


Z11	13	21	0	17°	31°	47°	74°
	13-14						⊕
	21-22						⊖
	13-14						⊕

DETAILS:

Part Number	AP1T41Z11
Casing Material	Reinforced thermoplastic
Width [mm]	30
Electrical connections	One cable inlet for PG13.5 cable gland
IP Degree of Protection	IP65
Actuating Head	Nylon roller lever \varnothing 18
Head Material	Thermoplastic head
Microswitch	Snap action contacts (1NO + 1NC)
Approvals	IMQ - cULus - CCC - CSA - EAC
Reference Directives	LVD - 2014/35/EU
Reference Standards	IEC 60947-5-1 / EN 60947-5-1
Operating Temperatures [°C]	-25°C ... +70°C
Stock Temperatures [°C]	-30°C ... +80°C
Protection against electric shocks [Classe (secondo IEC 60536)]	Class II - Double insulation
Rated Insulating Voltage Ui [V]	500
Pollution Degree	3
Contact rating according to UL50	A600 - Q600
Rated Impulsive Voltage Uimp [kV]	6
Conventional thermal current in free air Ith [A (θ)]	10
Short circuit protection [A (Ue)]	10
Rated Operational Current Ie - AC-15 (50-60 Hz) [Secondo IEC 60947-5-1]	24V - 10A / 120V - 6A / 400V - 4A
DC-13 operating currents [Secondo IEC 60947-5-1]	24V - 6A / 125V - 0.55A / 250V - 0.4A
Switching Frequency [Cicli/ora]	3600
Resistance Between Contacts [m Ω]	25
Connecting Terminals	M3.5 screw with cable clamp (+,-) pozidriv 2
Connecting Cables Dimensions [mm ²]	0.75 ... 2.5
Protective Conductor Terminal	/
Marking Terminals	According to IEC 60947-5-1
Mechanical Durability [Milioni di manovre]	10
B10d [Milioni di manovre]	20

PRODUCT DRAWING RELEASE:

Datasheet creation date: 31/01/2024 14:11

Last Modification (geometry): 21/12/2020 13:16



tel. +39 039 9906408
+39 039 9903468
fax +39 039 9906203



Via Novarino 9/L
23899 Robbiate (LC)
ITALY



www.comepi.it
comepi@comepi.it
tecnico@comepi.it