

PRODUCT DESCRIPTION:

DM_R11

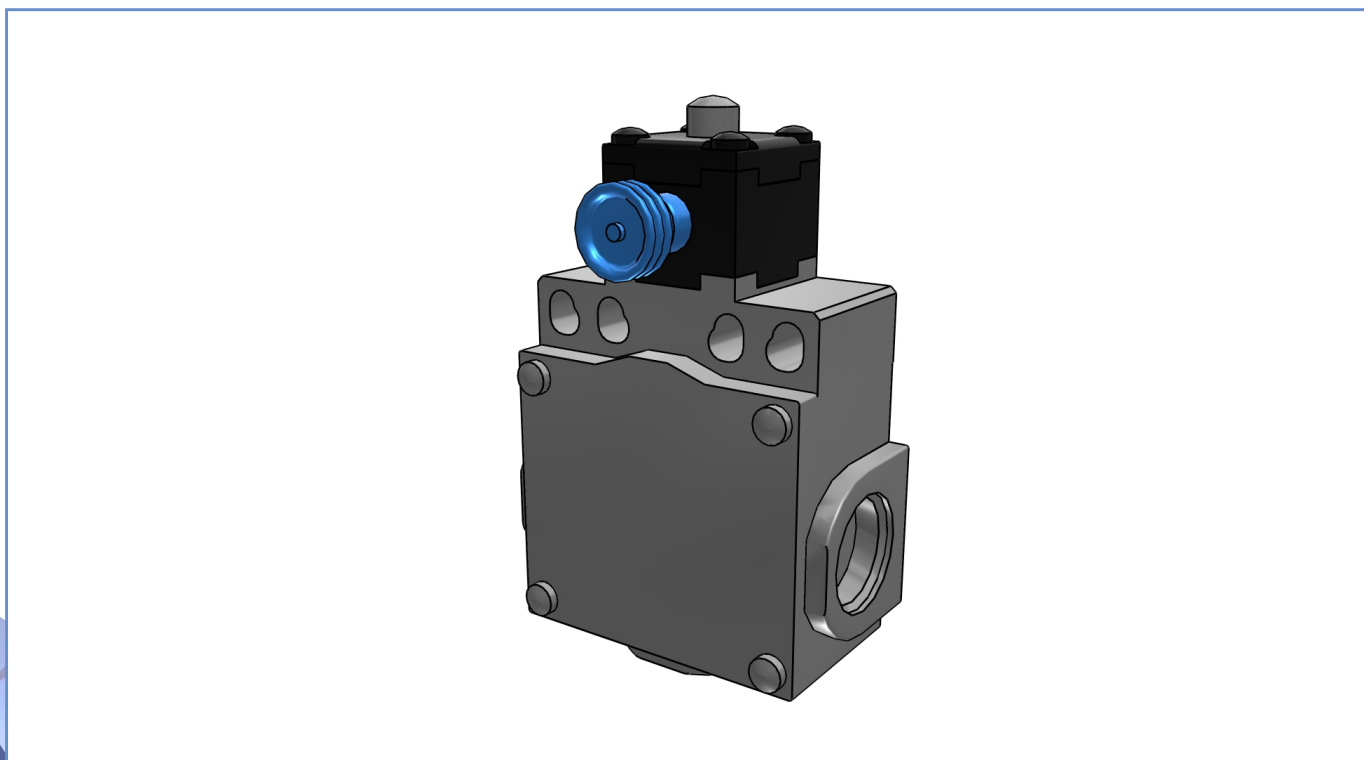
PRODUCT CODE:

DM4R11Y11

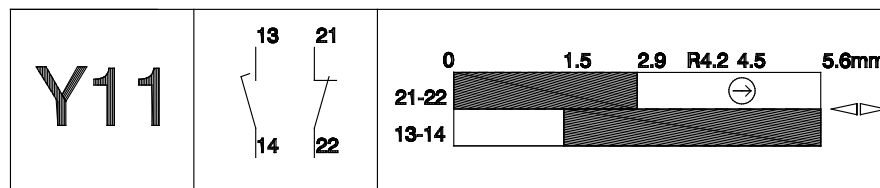
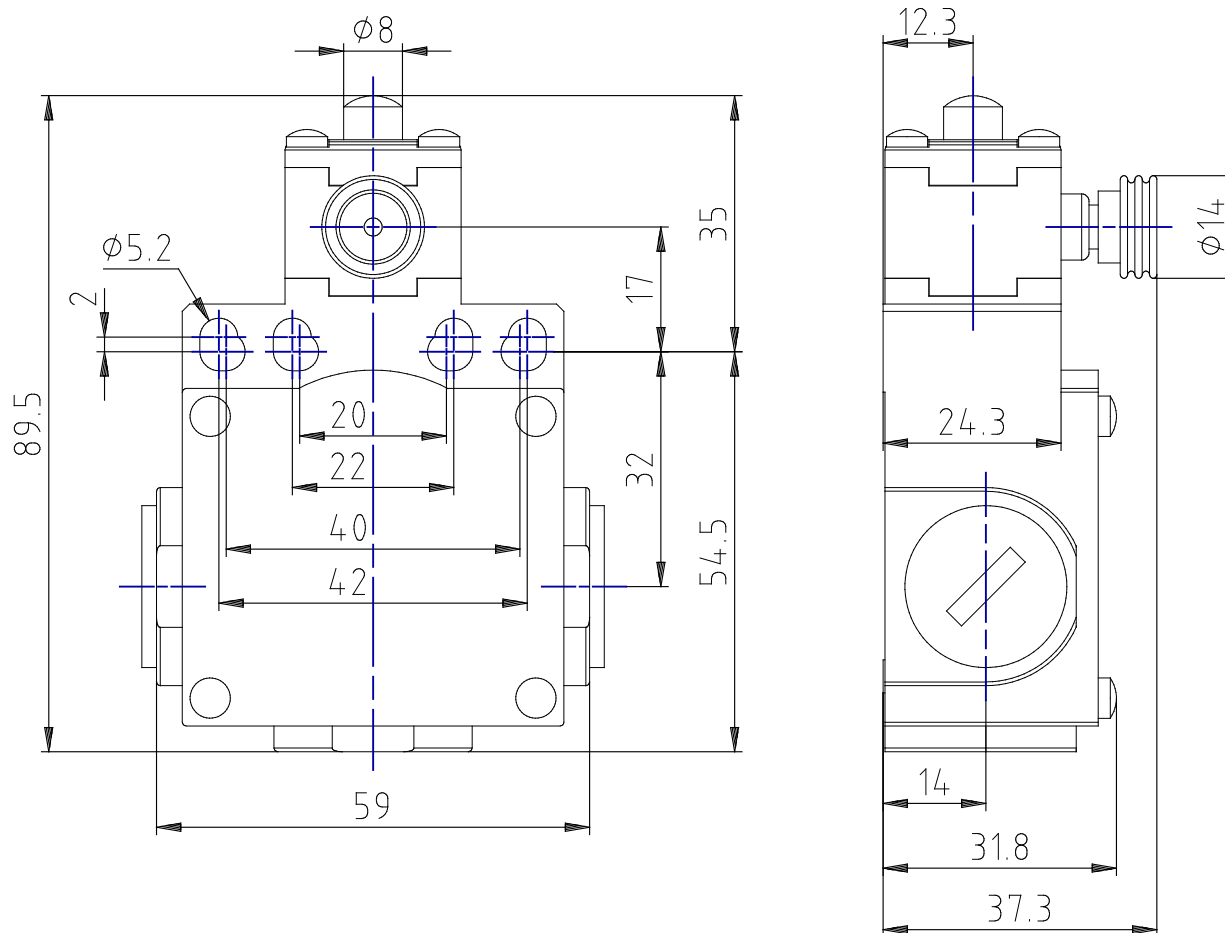
DYNAMIC 3D VIEW:



STATIC 3D VIEW:



TECHNICAL VIEW:



DETAILS:

Part Number	DM4R11Y11
Casing Material	Painted zamak
Width [mm]	50
Electrical connections	Three cable inlets for M16x1.5 cable glands
IP Degree of Protection	IP66
Actuating Head	Steel plunger with manual reset
Head Material	Thermoplastic head
Microswitch	Overlapping slow action contacts (1NO + 1NC)
Approvals	IMQ - cULus - CCC - CSA - EAC
Reference Directives	LVD - 2014/35/EU
Reference Standards	IEC 60947-5-1 / EN 60947-5-1
Interlock type according to EN ISO 14119	/
Encoding level according to EN ISO 14119	/
Operating Temperatures [°C]	-25°C ... +70°C
Stock Temperatures [°C]	-30°C ... +80°C
Protection against electric shocks (according to IEC 60536) [Class]	Class I
Rated Insulating Voltage Ui [V]	500
Pollution Degree	3
Contact rating secondo UL50	A300 - Q300
Rated Impulsive Voltage Uimp [kV]	6
Conventional thermal current in air free Ith (θ min 40 °C) [A]	10
Short circuit protection (EU min 500Vac - fuses type gG (gl)) [A]	10
Operating currents Ie - AC-15 (50-60 Hz) according to IEC 60947-5-1	24V - 10A / 120V - 6A / 400V - 4A
DC-13 operating currents according to IEC 60947-5-1	24V - 6A / 125V - 0.55A / 250V - 0.4A
Switching Frequency [cycles/hour]	3600
Resistance Between Contacts [mΩ]	25
Connecting Terminals	M3.5 screw with cable clamp (+,-) pozidriv 2
Connecting Cables Dimensions [mm ²]	0.75 ... 2.5
Protective Conductor Terminal	M3.5 screw with cable clamp (+,-) pozidriv 2
Marking Terminals	According to IEC 60947-5-1

PRODUCT DRAWING RELEASE:

Datasheet creation date: 06/11/2023 12:28

Last Modification (geometry): 25/02/2019 14:39



DETAILS:

Mechanical Durability [Millions of Operations]	1
B10d [Millions of Operations]	2

PRODUCT DRAWING RELEASE:

Datasheet creation date: 06/11/2023 12:28

Last Modification (geometry): 25/02/2019 14:39

tel. +39 039 9906408
+39 039 9903468
fax +39 039 9906203Via Novarino 9/L
23899 Robbiate (LC)
ITALYwww.comepi.it
comepi@comepi.it
tecnico@comepi.it