

ELECTRIC ENERGY METER
 three-phase

LE-02d

WARRANTY. The F&F products are covered by a warranty of the 24 months from the date of purchase. Effective only with proof of purchase. Contact your dealer or directly with us. More information how to make a complaint can be found on the website: www.fif.com.pl/reklamacje



CE Do not dispose of this device in the trash along with other waste! According to the Law on Waste, electro coming from households free of charge and can give any amount to up to that end point of collection, as well as to store the occasion of the purchase of new equipment (in accordance with the principle of old-for-new, regardless of brand). Electro thrown in the trash or abandoned in nature, pose a threat to the environment and human health.

Compliance

MID Directive 2004/22/EC
 Standard EN50470-1/3

Purpose

LE-02d is a static (electronic) indicator calibrated electricity three-phase alternating current in the system directly.

Functioning

A special electronic system under the influence of current flow and applied voltage in each phase, generates pulses in proportion to the electricity consumed in this phase. Phase energy consumption is indicated by flashing the corresponding LED (L1, L2, L3). The sum of the pulses of the three phases is indicated by a flashing LED shall be converted to energy, taken throughout the three-phase system, and its value is determined by the segment LCD display. Decimal represent the hundredths (.01 kWh = 10Wh).

- 1 -

Pulse output

The indicator has a pulse output SO+ SO-. This allows you to connect another device pulse-reading (SO) pulses generated by the counter.

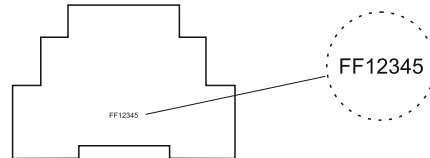
For proper operation of the meter is not required to connect additional devices.

Sealing

The indicator has the possibility of sealing guards input and output terminals do to prevent circumvention of the counter.

Counter number

The counter is marked with an individual serial number to uniquely identify it. The marking is indelible (laser engraver).

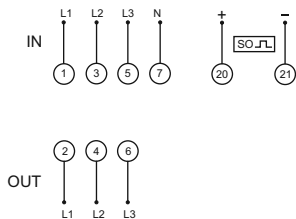


- 2 -

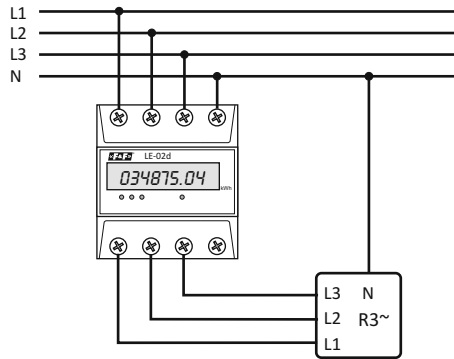
Technical data

reference voltage	3x230/400V+N
base current	5A
maximum current	63A
minimum current	0.04A
accuracy class	1
own power consumption	<10VA; <2W
indication range	0÷999999.99kWh
meter constant	(1.25Wh/pulse) 800pulses/kWh
current consumption signal	3xred LED
read-out signalling	red LED
SO+ SO- pulse output	open collector
SO+ SO- connection voltage	<30V DC
SO+ SO- current connection	<27mA
SO+ SO- constant	(1.25Wh/pulse) 800pulses/kWh
SO+ SO- pulse time	35msec
working temperature	-20÷55°C
terminal	16mm ² screw terminals
dimensions	4.5 modules (75mm)
mounting	on TH-35 rail
protection level	IP20

Wiring diagram



- 3 -



Assembly

1. Disconnect the power supply.
2. The indicator mounted on a rail in the distribution box.
3. Using a screwdriver, remove the screws and remove the front shield meter terminals.
4. Power supply connected to the terminals 1 (L1), 3 (L2), 5 (L3).
5. Measuring circuit or a single receiver connected to terminal 2 (L1), 4 (L2), 6 (L3).
6. Connect the cable to the terminal N 7.
7. Additional pulse receiver connected to terminals 20(+) - 21(-). The terminals are located under the top shell meter terminals. NOTE! Additional pulse receiver is not required.
8. Install shield meter terminals.

D170828

- 4 -