



ul. Konstytucyjna 79/81
95-200 Pabianice
tel/fax 48 42 2270971 POLAND
e-mail: fif@fif.com.pl

SCO-814

LIGHT DIMMERS

no "storage" of light intensity settings enabled



519083121592518

www.fif.com.pl

F&F products are covered by an 24 months warranty from date of purchase

PURPOSE

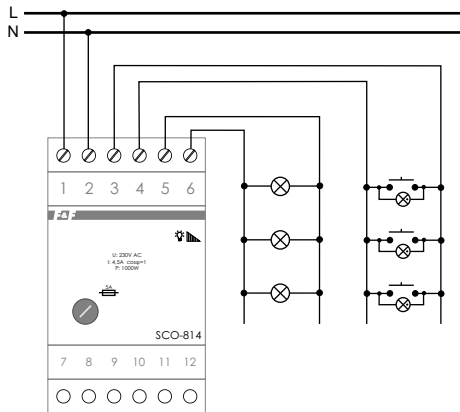
The dimmer is used for switching on and off incandescent and halogen lamps and offers the option of light intensity adjustment by means of any impulse switch (buzzer)

ATTENTION!

There may be working irregularities with certain electronic feeders (e.g. flickering may appear). Therefore, some feeder types require light bulbs or halogens of total power up to 50% of the feeder's nominal.

Tests are recommended before final assembly and commission.

WIRING DIAGRAM



FUNCTIONING

Lighting is switching on by a current pulse sent after pressing an impulse switch (buzzer) connected to a relay. Another pulse switches the lighting off. Pressing and holding the switch for more than 1 second allows the user to adjust light intensity (continuous loop adjustments in the following sequence: BRIGHTER→DARKER→BRIGHTER).

Light intensity may be controlled by means of numerous switches in a parallel connection, distributed in several locations within a room.

ASSEMBLY

1. Take OFF the power.
2. Put on the rail in the switchgear box.
3. Connect it with wiring diagram.

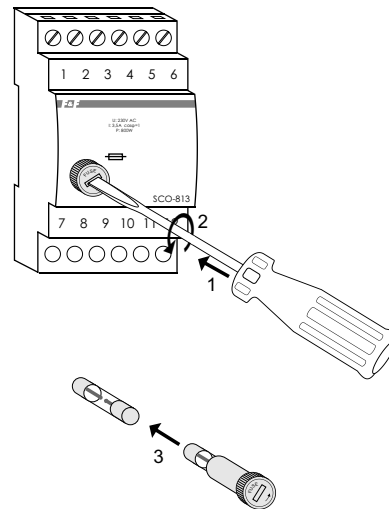
TECHNICAL DATA

supply	230VAC
current load	<4,5A
maximum power of light bulbs connected	1000W
current pulse duration	<1sec
power consumption	0,3W
working temperature	-25+50°C
connection	screw terminals 2,5mm ²
dimensions	3 modules (52,5mm)
fixing	on the rail TH-35
overcurrent protection	WTA 5×206,3A

ATTENTION!

SCO-814 is compatible with bell pushes equipped with fluorescent lamps.

CHANGE OF FUSE ELEMENT WTA 5×20



A090617