



PMX 1500V DC

PV fuse holder
for cylindrical fuse links

PMX 22x65



10x38

14x51

22x65

**PROTECTING
THE WORLD**





RATED CURRENT
100A

RATED VOLTAGE
1000V AC
1500V DC

MAXIMUM POWER DISSIPATION
12W

PROTECTION INDEX
IP20

STANDARDS
IEC/EN 60269-1
IEC/EN 60269-2
UL 4248-1
UL 4248-19
UL 486E



Modular fuse holders that offer 1500V DC rated voltages

Modular fuse holder for cylindrical fuse link size 22x65 according IEC/EN 60269 standard.

Compact design, with reduced dimensions.

Ventilation zones optimized for a better heat dissipation.

Manufactured with a high quality materials

- Silver plated copper contacts.
- Plastic materials with high temperature resistance and self-extinguishable.
- All the materials are according to the European Directive RoHS.



Range of accessories is available.

UL certification (File E359201).



Accessories

REFERENCE	DESCRIPTION	PACKING Uni /BOX
480005	PINS FOR MULTIPOLE ASSEMBLY	12
485356	PMX-14/22 HANDLE TIES FOR MULTIPOLE ASSEMBLY	12
485366	PMX-22 SPECIAL IP20 PROTECTION ACCESSORY	12
485367	PMX-22 SPECIAL ACCESSORY SCREW CONNECTION	12
485371	PMX-22 ACCESSORY SCREW PROTECTION	12

Range

REFERENCE	INDICATOR	POLES	MODULES	PACKING Uni /BOX
485720	-	1P	1	6/48

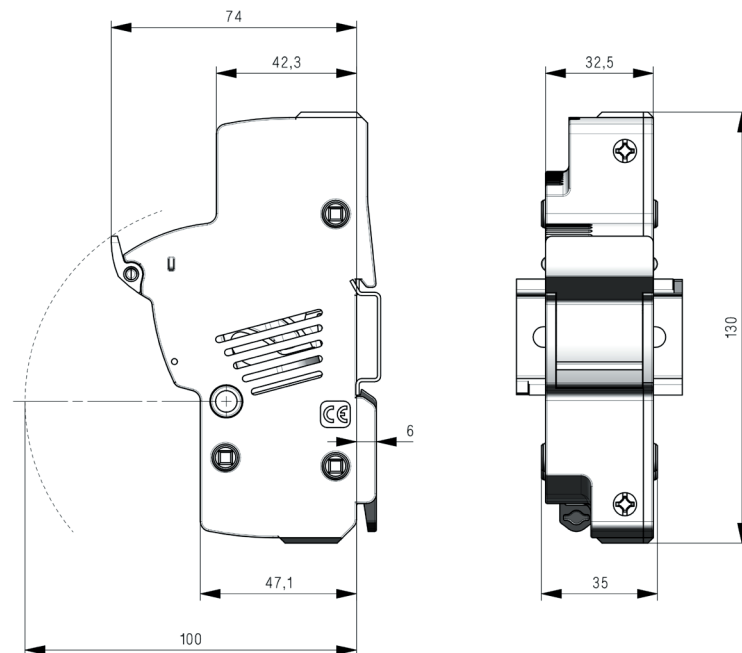


Technical data

Rated current	100A	
Rated voltage	1000V AC 1500V DC	
Maximum power dissipation	12W	
Power dissipation per pole	50% $I_n > 1,48W$ 80% $I_n > 1,82W$ 100% $I_n > 2,81W$	
Pollution degree	3	
Protection index *	IP20	
Rated impulse withstand voltage	8kV U imp	
Ambient temperature of service	-20°C ... 70°C	
Storage temperature	-40°C ... 80°C	
Derating by number of poles	POLES	I_{MAX}
	1 ... 4	I_n
	≥ 5	$0,85 \times I_n$
Correction of the admissible current in function of the temperature	20° C	1
	30° C	0,95
	40° C	0,90
	50° C	0,80
	60° C	0,70
	70° C	0,60

* For wires of section $\leq 16mm^2$ is necessary the use of the accessory to guarantee IP20 in clamps zone. ► **FIG. 3**

Dimensions



Weight

1P

148gr

Weight without packing

Standards

IEC/EN 60269-1
IEC/EN 60269-2
UL4248-1 Fuse holders
UL4248-19 Photovoltaic fuse holders
UL486E Wiring terminals

Warning of use

Installing or replacing of fuse links is only allowed by instructed specialized staff.

To avoid electrical risk, install the switchgear without voltage.





Application characteristics

For mounting on DIN/EN standard rail DIN 46277/1-3 (EN50022)
Clip fixation with 2 positions

Screw fixation Available with accessory
▶ **FIG. 2**

Connecting wire
Copper wires only

WIRES	METRIC	AWG	WIRING
1	1,5...35mm ² Flexible / Extra flexible	16...2 AWG Flexible / Extra flexible	
2 Same cross section and type	1,5...10mm ² Flexible / Extra flexible	16...6 AWG Flexible / Extra flexible	

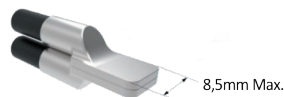
BUS-BAR applications

Clamping dimensions

THICKNESS	WIDTH	TORQUE
8,5mm	8,5mm	4 Nm / 35 lb.in

Wire-end terminals The use of wire-end terminals may allow to increase the connecting wire section.

Wire-end terminals recommended mounting:



The use of wire-end terminals could not guarantee the IP20 protection degree.

Ferrules It's recommended use of ferrules in wires with section $\leq 2,5\text{mm}^2$



The product is delivered with the terminals opened and ready to connect

Tightening torque on terminals 4 Nm / 35 lb.in

Screws with a combined head SLOT + PZ2

Multipolar assembly ▶ **FIG. 1**

Special zone for sealing 1,5 mm² wire

Accessories

FIG. 1 | Multipolar assembly

Standard system by DF, 3 clips and 1 pin for each union between poles

480005 PINS FOR MULTIPOLE ASSEMBLY

485356 PMX-14/22 HANDLE TIES FOR MULTIPOLE ASSEMBLY

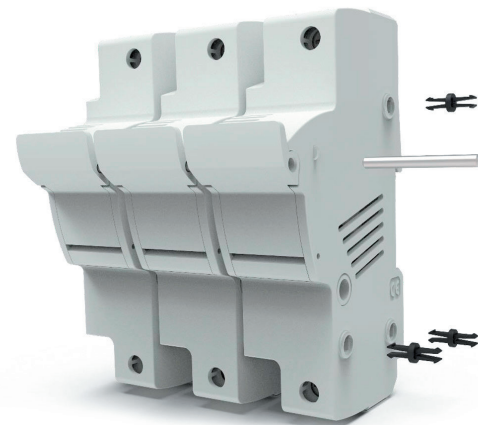
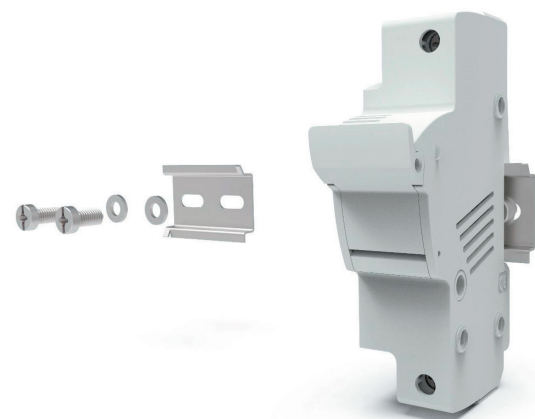


FIG. 2 | Screw fixation accessory

First mount the accessory with screws, then mount the fuseholder (there are available different accessories depending the number of the fuseholder)





Accessories

FIG. 3 | Special IP20 protection

The accessory must be positioned in the wire entries, if it's necessary to achieve the IP20 degree of protection with thin wires. Manual assembly.

485366 PMX-22 SPECIAL IP20 PROTECTION ACCESSORY

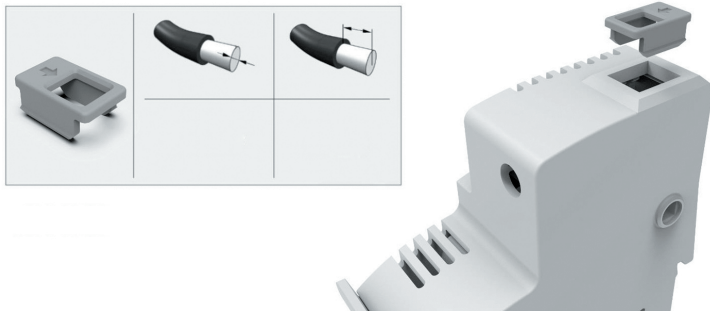
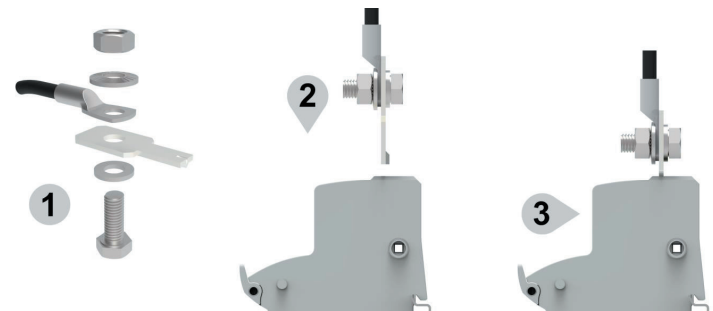


FIG. 5 | Special screw connection accessory

485367 PMX-22 SPECIAL SCREW CONNECTION ACCESSORY

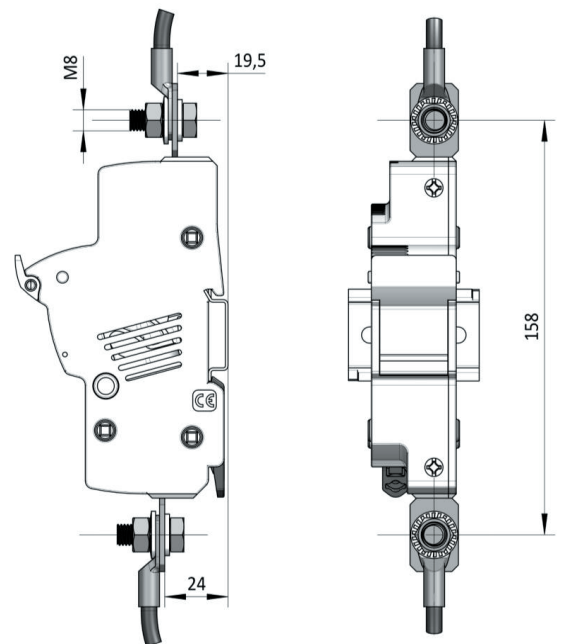


- 1** Mount the accessory in the wire or busbar (10Nm)
- 2** Wiring in the fuse holder
- 3** Apply tightening torque (4Nm)

FIG. 4 | Screw's protection accessory

Protection accessory to avoid the screws manipulation and improve the protection degree. Manual assembly.

485371 PMX-22 ACCESSORY SCREW PROTECTION





HEAD OFFICE AND FACTORY

SILICI, 67-69
08940 CORNELLA DE LLOBREGAT
BARCELONA
SPAIN
Tel. +34 93 377 85 85
Fax +34 93 377 82 82

INTERNATIONAL SALES

Tel. +34 93 475 08 64
Fax +34 93 480 07 75
export@dfelectric.es

NATIONAL SALES

Tel. 93 475 08 64
Fax 93 480 07 76
comercial@dfelectric.es

dfelectric.es



The data reflected in this technical record are subject to the correct installation of the product in accordance with manufacturer's instructions, relevant installation standards and professional practices, maintained and used in applications for which they were made.

DF ELECTRIC retains the right to change the dimensions, specifications, materials or design of its products at any time with or without notice.

©2022 DF Electric. All rights reserved



PROTECTING THE WORLD

