

Data sheet:

DC switch-disconnector

Model S6N – 315A – 1500V DC21B



Electrical data (according to IEC 60947-3)

Thermal current 40°C I_{th}

315 A

Rated insulation voltage U_i

1500 V

Rated impulse withstand voltage U_{imp}

12 kV

DC Rated operational current I_e

Voltage (DC)	Category of operation	I _e
1500 V	DC21B	315 A

** Please consult for other voltages and/or category of operation

Standards

IEC 60947-1&3



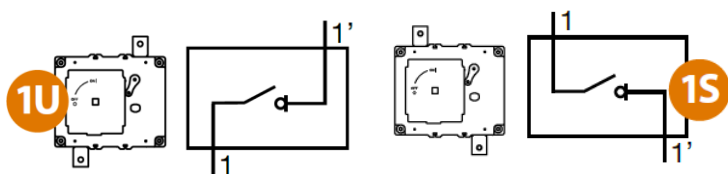
Quality Telergon, SAU

ISO 9001 & 14001



Connection diagram

Front and rear switch are the same



CONSULT FOR
GROUNDED INSTALLATIONS

Short-circuit behaviour

Short-circuit making capacity (peak value)	I _{cm}	10 kA
Short-time withstand current (1 sec) (rms)	I _{cw}	10 kA

Connection capacity

Bar (Thickness / Width) (mm)	8/25
Rigid cable (mm ²)	185
Max. Connecting copper bar (mm)	25
Tightening torque (N·m)	18

Mechanical data

Minimum number of operations (as per standard) without load	8000
Maximum weight (4 pole molded case) (kg)	4,25

Codes

Case size	Poles	Switch	Accessories
1	2	S6N0315USS0	Direct handle DS-SI11 Panel handle DS-SA11 Auxiliary contact D5LAU01

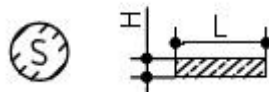
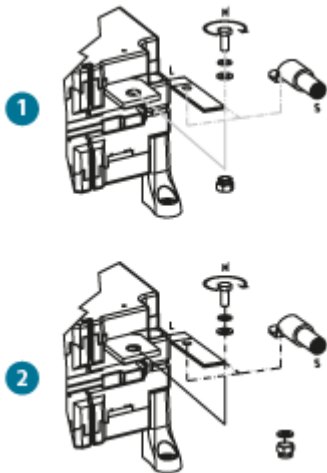
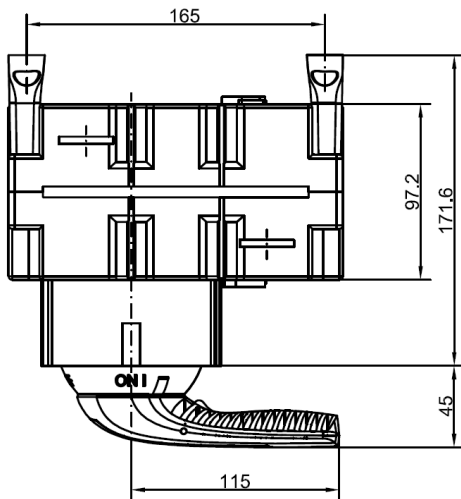
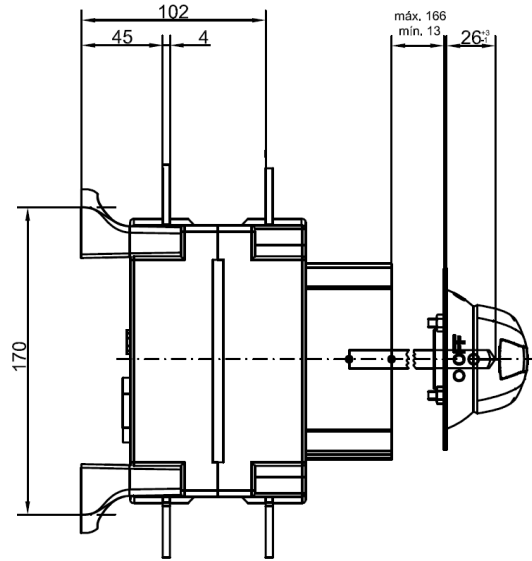
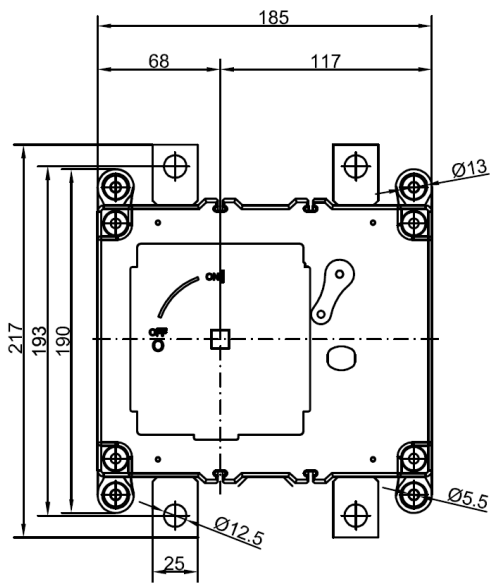
You will find detailed information about our products on our web site www.telergon.com




DC switch-disconnector
S6N0315USS0

TELERGON, SAU
Data subject to change without
notice (printed: 16/09/2020)

Dimensions



S max (Cu)	H max (Cu)	L max (Cu)		M
mm ²	mm	mm		Nxm
185	8	25	M10	18

You will find detailed information about our products on our web site www.telergon.com



DC switch-disconnector
S6N0315USS0

TELERGON, SAU
Data subject to change without
notice (printed: 16/09/2020)