

## DC switch-disconnector

Model S7 – 250 A – 1500Vdc – DC-21B



Indicative picture of the series

## Standards

IEC 60947-3 (DC-21B)



## Quality Telergon, SAU

ISO 9001 &amp; 14001



## Electrical data (according to IEC 60947-3)

Thermal current I<sub>th</sub>

250 A

Rated insulation voltage U<sub>i</sub>

1500 V

Rated impulse withstand voltage U<sub>imp</sub>

12 kV

## Rated operational current

Voltage	Category of operation	I <sub>e</sub>
1500 Vdc	DC21B	250 A

## Short-circuit behaviour

Short-circuit making capacity (peak value)*	I <sub>cm</sub>	10 kA
Short-time withstand current (1 sec) (rms)	I <sub>cw</sub>	10 kA

## Connection capacity

Busbar (mm)	2x4/30
Rigid cable (mm <sup>2</sup> )	1x185
Tightening torque (N·m)	18

## Weight

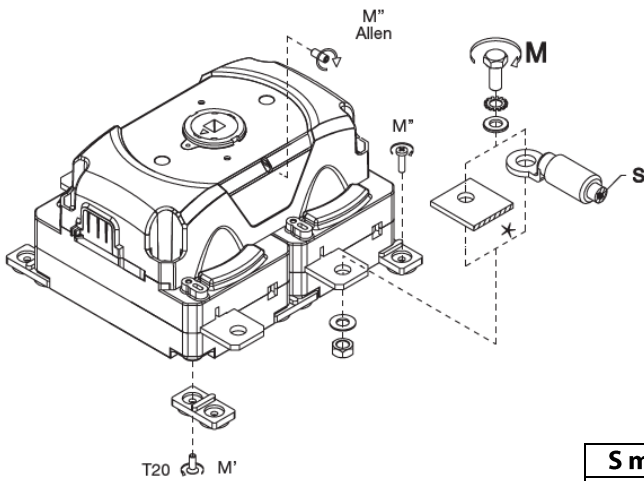
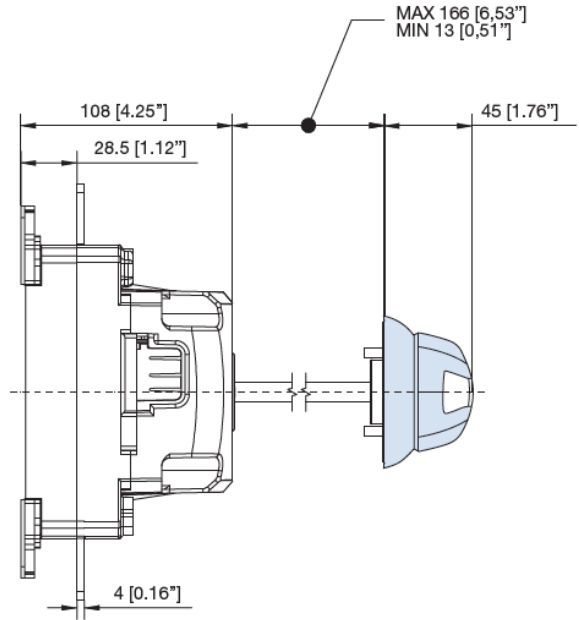
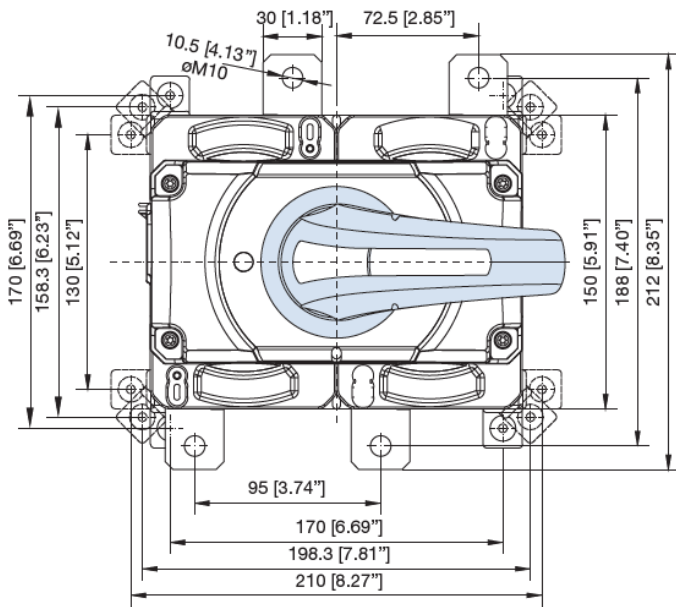
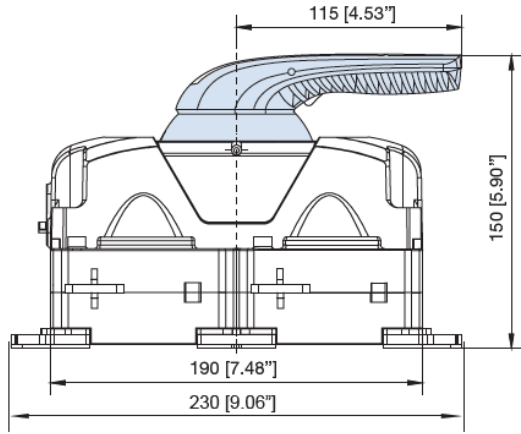
Maximum number of mechanical operations (according to standards)	1000
Maximum weight (kg)	≈2,7

## Codes

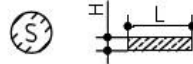
Poles	Switch code	Accessories	Codes
2	S7-02502PS0	Direct handle	DS-SI11
		External handle (with shaft included)	DS-SA11
		Auxiliary contacts 1NO+1NC	DM-AU11
		Auxiliary contacts 2NO+2NC	DM-AU12
		Captive nut	DM-PT11
		Spacer Fixing Brackets (4 units)	DM-EL11

You will find detailed information about our products on our web site [www.telergon.com](http://www.telergon.com)
**DC switch-disconnector**  
 S7-02502PS0

 TELERGON, SAU  
 Data subject to change without  
 notice (printed: 08/10/2021)



	M'		M''	
	Nm	lbf in	Nm	lbf in
M4	1.2	10.6	1.5	13.3



S min (Cu)		H max (Cu)		L max (Cu)			M	
mm <sup>2</sup>	AWG	mm	in	mm	in		Nm	lbf in
185	350	2X4	5/32	30	1-3/16	M10	18	159

You will find detailed information about our products on our web site [www.telergon.com](http://www.telergon.com)



**DC switch-disconnector**  
S7-02502PS0

TELERGON, SAU  
Data subject to change without  
notice (printed: 08/10/2021)