

## DC switch-disconnector

Model S7 – 315 A – 1500Vdc – DC-21B



Indicative picture of the series

## Electrical data (according to IEC 60947-3)

Thermal current  $I_{th}$ 

315 A

Rated insulation voltage  $U_i$ 

1500 V

Rated impulse withstand voltage  $U_{imp}$ 

12 kV

## Rated operational current

Voltage	Category of operation	$I_e$
1500 Vdc	DC21B	315 A

## Short-circuit behaviour

Short-circuit making capacity (peak value)*	$I_{cm}$	10 kA
Short-time withstand current (1 sec) (rms)	$I_{cw}$	10 kA

## Connection capacity

Busbar (mm)	2x4/30
Rigid cable (mm <sup>2</sup> )	1x185
Tightening torque (N·m)	18

## Weight

Maximum number of mechanical operations (according to standards)	1000
Maximum weight (kg)	≈2,7

## Standards

IEC 60947-3 (DC-21B)



## Quality Telergon, SAU

ISO 9001 &amp; 14001



## Codes

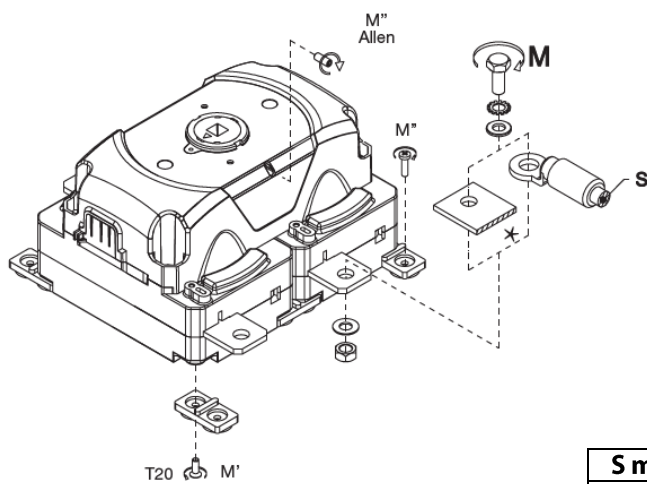
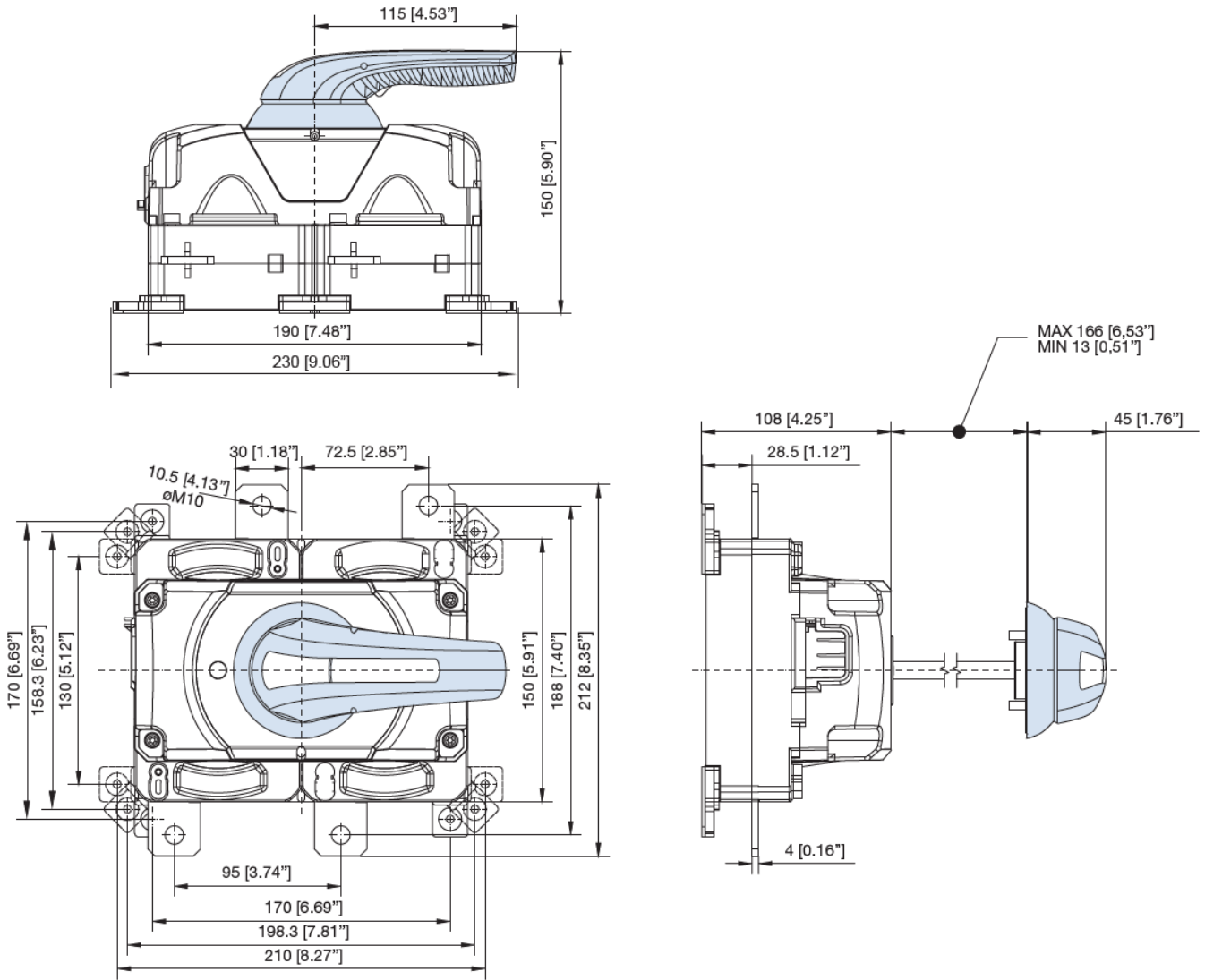
Poles	Switch code	Accessories	Codes
2	S7-03152PS0	Direct handle External handle (with shaft included) Auxiliary contacts 1NO+1NC Auxiliary contacts 2NO+2NC Captive nut Spacer Fixing Brackets (4 units)	DS-SI11 DS-SA11 DM-AU11 DM-AU12 DM-PT11 DM-EL11

You will find detailed information about our products on our web site [www.telergon.com](http://www.telergon.com)

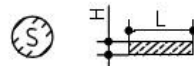
**DC switch-disconnector**  
S7-03152PS0

TELERGON, SAU  
Data subject to change without  
notice (printed: 08/10/2021)

**Dimensions (mm)**



	M'		M''	
	Nm	lbf in	Nm	lbf in
M4	1.2	10.6	1.5	13.3



S min (Cu)		H max (Cu)		L max (Cu)			M	
mm <sup>2</sup>	AWG	mm	in	mm	in		Nm	lbf in
185	350	4	5/32	30	1-3/16	M10	18	159

You will find detailed information about our products on our web site [www.telergon.com](http://www.telergon.com)



**DC switch-disconnector**  
S7-03152PS0

TELERGON, SAU  
Data subject to change without  
notice (printed: 08/10/2021)