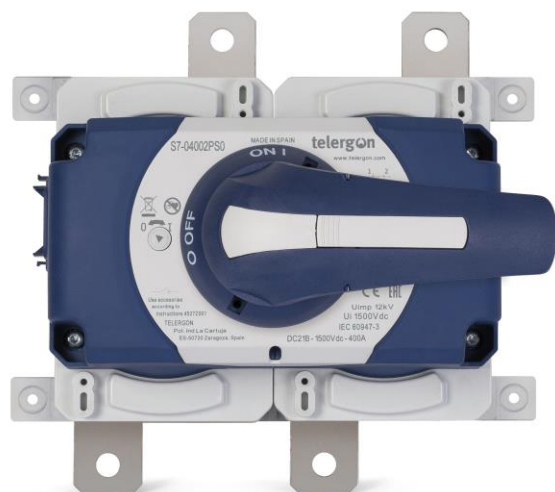


## DC switch-disconnector

Model S7 – 400A – 1500Vdc – DC-21B



## Standards

IEC 60947 (DC-21B)



## Quality Telergon, SAU

ISO 9001 &amp; 14001



## Electrical data (according to IEC60947 (DC-21B))

<b>Thermal current I<sub>th</sub></b>	400 A
---------------------------------------	-------

<b>Rated insulation voltage U<sub>i</sub></b>	1500 V
---	--------

<b>Rated impulse withstand voltage U<sub>imp</sub></b>	12 kV
--	-------

<b>Rated operational current Voltage</b>	<b>Category of operation</b>	<b>I<sub>e</sub></b>
1500 Vdc	DC21B	400 A

## Short-circuit behaviour

Short-circuit making capacity (peak value)*	I <sub>cm</sub>	10 kA
Short-time withstand current (1 sec) (rms)	I <sub>cw</sub>	10 kA

## Connection capacity

Busbar (mm)	2x4/30
Rigid cable (mm <sup>2</sup> )	1x240
Tightening torque (N·m)	18

## Weight

Maximum number of mechanical operations (according to standards)	1000
Maximum weight (kg)	≈2,7

## Codes

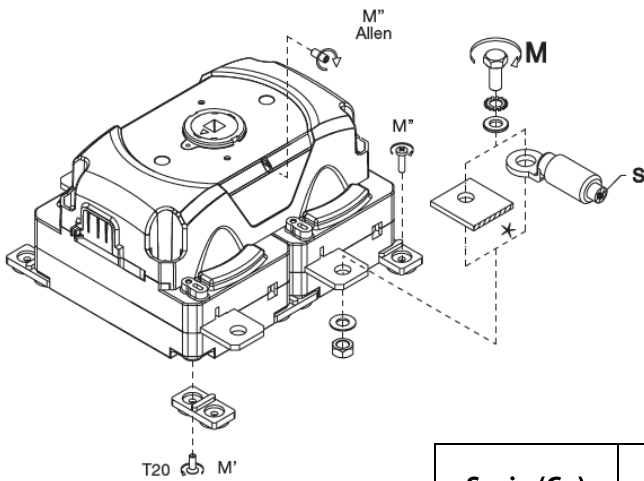
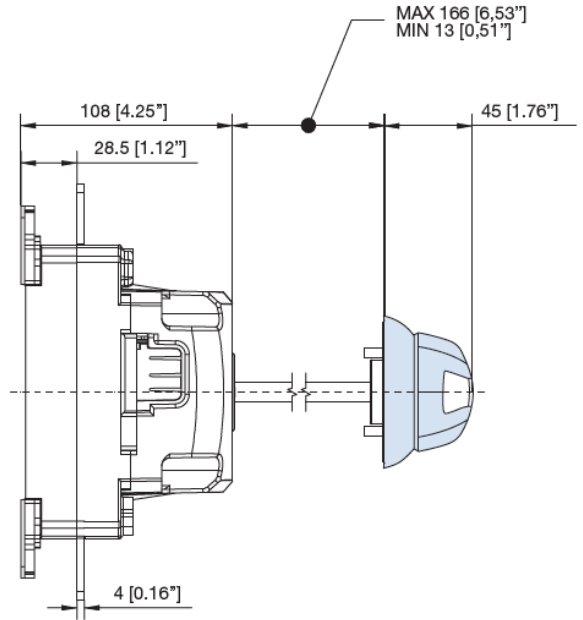
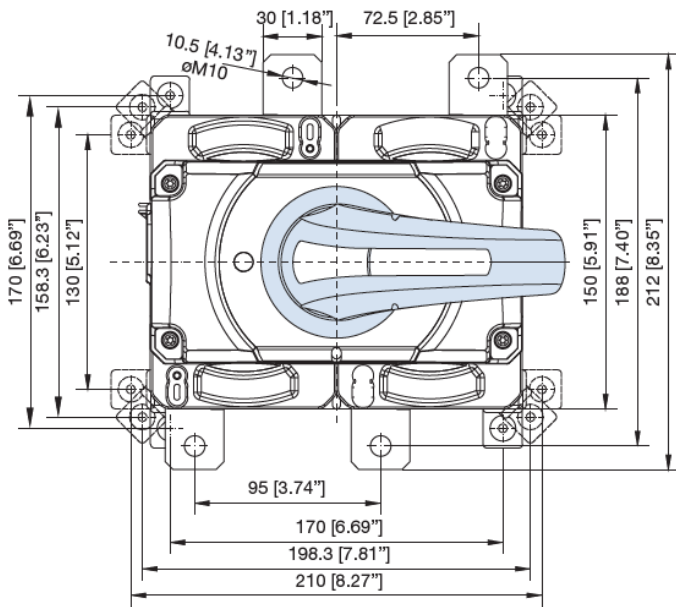
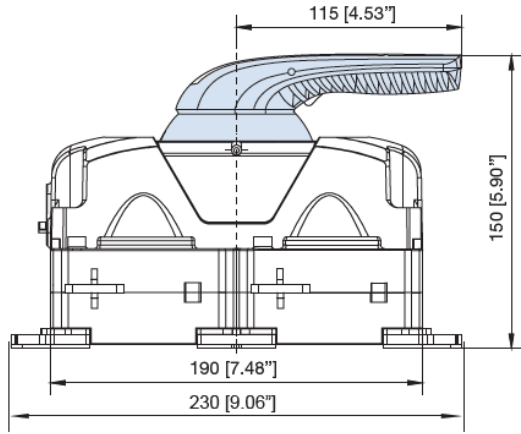
Poles	Switch code	Accessories	Codes
2	S7-04002PS0	Direct handle External handle (with shaft included) Auxiliary contacts 1NO+1NC Auxiliary contacts 2NO+2NC Captive nut	DS-SI11 DS-SA11 DM-AU11 DM-AU12 DM-PT11

You will find detailed information about our products on our web site [www.telergon.com](http://www.telergon.com)

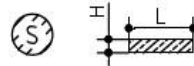


**DC switch-disconnector**  
S7-04002PS0

TELERGON, SAU  
Data subject to change without  
notice (printed: 04/02/2021)



	M'		M''	
	Nm	lbf in	Nm	lbf in
M4	1.2	10.6	1.5	13.3



S min (Cu)		H min/max (Cu)		L max (Cu)			M	
mm <sup>2</sup>	MCM	mm	in	mm	in		Nm	lbf in
240	400	Min. 4 Max. 5	Min. 2x4/30 Max. 2x5/35	32	1-1/4	M10	18	159

You will find detailed information about our products on our web site [www.telergon.com](http://www.telergon.com)



**DC switch-disconnector**  
S7-04002PS0

TELERGON, SAU  
Data subject to change without  
notice (printed: 04/02/2021)