

DC switch-disconnector

Model S7 – 500A – 1500Vdc – DC-21B



Standards

IEC 60947 (DC-21B)



Quality Telergon, SAU

ISO 9001 & 14001



Electrical data (according to IEC60947 (DC-21B))

Thermal current I_{th}	500 A
---------------------------------------	-------

Rated insulation voltage U_i	1500 V
---	--------

Rated impulse withstand voltage U_{imp}	12 kV
--	-------

Rated operational current		
----------------------------------	--	--

Voltage	Category of operation	I _e
1500 Vdc	DC21B	500 A

Short-circuit behaviour

Short-circuit making capacity (peak value)*	I _{cm}	10 kA
Short-time withstand current (1 sec) (rms)	I _{cw}	10 kA

Connection capacity

Busbar (mm)	2x5/32
Rigid cable (mm ²)	1x300
Tightening torque (N·m)	24

Weight

Maximum number of mechanical operations (according to standards)	1000
Maximum weight (kg)	≈2,7

Codes

Poles	Switch code	Accessories	Codes
2	S7-05002PS0	Direct handle	DS-SI11
		External handle (with shaft included)	DS-SA11
		Auxiliary contacts 1NO+1NC	DM-AU11
		Auxiliary contacts 2NO+2NC	DM-AU12
		Captive nut	DM-PT12
		Spacer Fixing Brackets (4 units)	DM-EL11

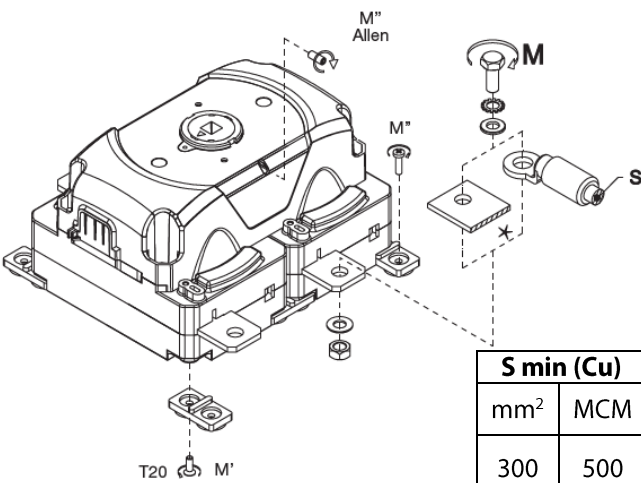
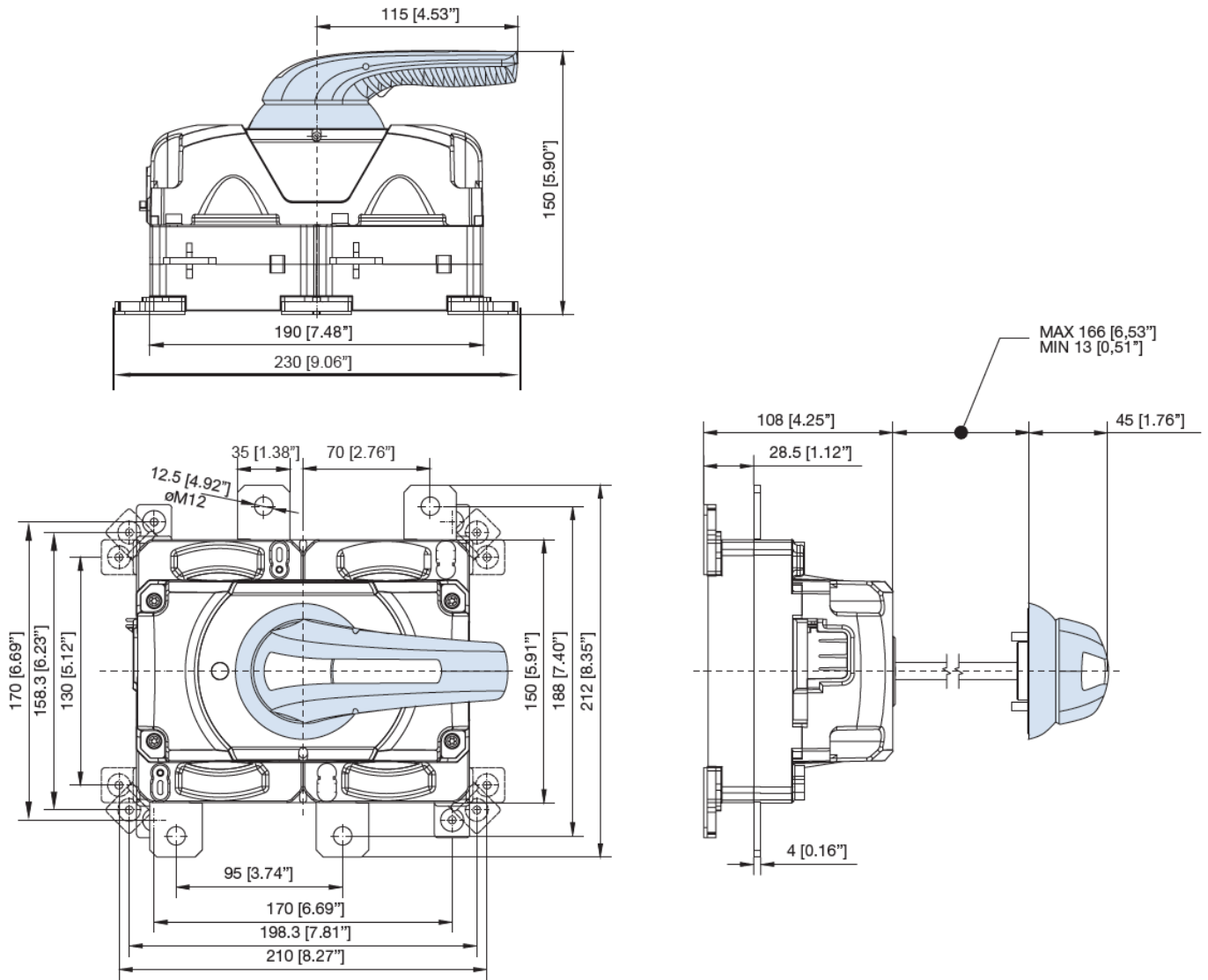
You will find detailed information about our products on our web site www.telergon.com



DC switch-disconnector
S7-05002PS0

TELERGON, SAU
Data subject to change without
notice (printed: 29/06/2021)

Dimensions (mm)



	M'		M''	
	Nm	lbf in	Nm	lbf in
M4	1.2	10.6	1.5	13.3

S min (Cu)		H min/max (Cu)		L max (Cu)			M	
mm ²	MCM	mm	in	mm	in		Nm	lbf in
300	500	Min. 5 Max. 5	Min. 2x5/32 Max. 2x5/35	32	1-1/4	M12	24	212

You will find detailed information about our products on our web site www.telergon.com



DC switch-disconnector
S7-05002PS0

TELERGON, SAU
Data subject to change without
notice (printed: 29/06/2021)