

SPD-C Surge Protection Devices

Key Features

- Compact 1P+N / 2P / 4P devices to cover all applications
- Remote signal for convenient checking
- Protects all earthing systems - TN, TT, IT - Type 2
- Suitable for 40kA systems



SPDS-C Compact Surge Protection Devices

Key Features

- Single module size (1P+N)
- Protects all earthing systems - TN, TT, IT - Type 2
- Suitable for 40kA systems

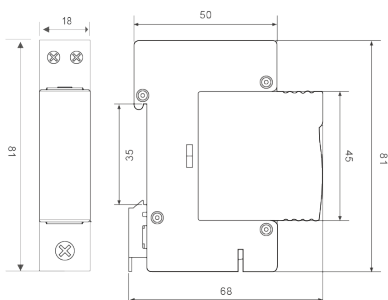


(top view)

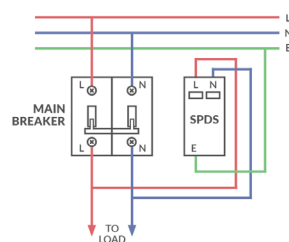
SPDS-C Technical Data

Universal Protection - Available From Stock	
Part Number	SPDS-401NC
Max. continuous operating voltage	275V AC (L-N), 255V AC (N-PE)
Max. discharge current	40kA
Nominal discharge current	20kA
Voltage protection	1.2kV
Fuse Or Circuit Breaker	20A
Remote Contact	≤1.5mm ² / ≤3A / 24VDC / 125VAC
Short circuit current	500 A
Status indicator	Green window: Healthy / Red window: Replace
Wiring capacity	2.5mm (L-N), 4mm (N-PE)
Remote Signalling of Disconnection	Included
Degree of protection (IP code)	IP20
Power supply network	TN, TT, IT
Mounting	Symmetrical Rail (EN50022/DIN46277-3) 35mm
Ambient temperature	-40°C +80°C
Ambient humidity	5%-95%
Altitude	< 2000m
Standard conformity	IEC61643-11:2011, EN61643-11:2012

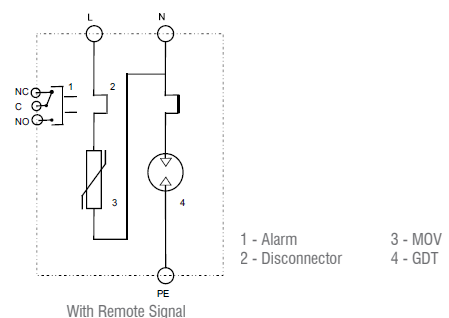
Dimensions (mm)



Wiring Diagram



Electrical Diagram



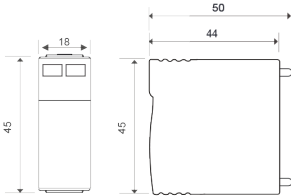
SPD-C Surge Protection Devices

SPDS-C Surge Protection Modules

Part Number	SPDSM-401N
Type Of Network Systems	TN, TT, IT
Maximum Continuous Voltage	275V
Maximum Discharge Surge Current	40kA
Norminal Discharge Current	20kA
Voltage Protection Level	1.2kV
Fuse Or Circuit Breaker	32A
Response Time	<25ns
Protection Rating	IP20
Temperature Range	-40°C + 80°C
Disconnection Indicator	Green window: Healthy / Red window: Replace



SPDS-C Surge Protection Module Dimensions (mm)

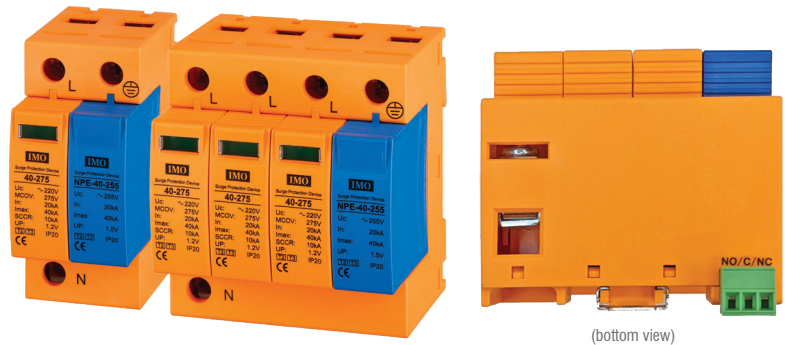


SPD-C Surge Protection Devices



Key Features

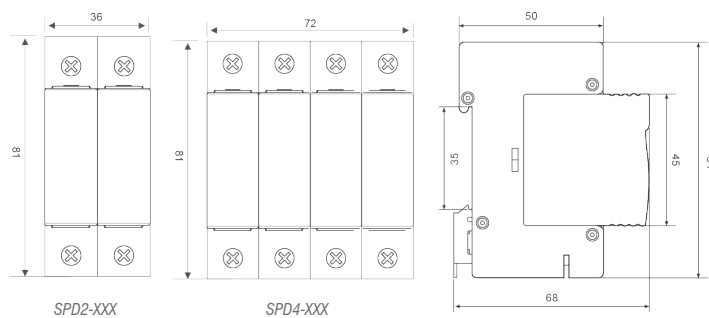
- 2P / 4P devices to cover all applications
- Protects all earthing systems - TN, TT, IT - Type 2
- Suitable for 40kA systems



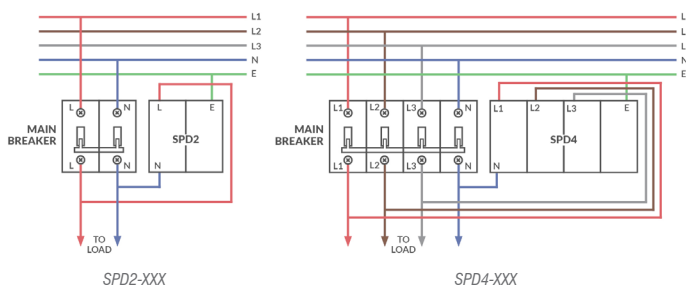
SPD-C Technical Data

Universal Protection - Available From Stock		
Part Number	SPD2-401NC	SPD4-403NC
Type Of Network Systems	TN, TT, IT	TN, TT, IT
Maximum Continuous Voltage Ue	275V	
Maximum Continuous Voltage Un	-	400V
Maximum Discharge Surge Current	40kA	40kA
Normal Discharge Current	20kA	20kA
Voltage Protection Level	1.2kV	1.2kV
Fuse Or Circuit Breaker	32A	32A
Remote Contact	≤1.5mm ² / ≤3A / 24VDC / 125VAC	
Response Time	<25ns	
Remote Signalling Of Disconnection	Included	
Protection Rating	IP20	
Connection	Screw Terminal: 4 to 25mm ² , By Busbar	
Temperature Range	-40°C +80°C	
Disconnection Indicator	Green window: Healthy / Red window: Replace	
Mounting	Symmetrical Rail (EN50022/DIN46277-3) 35mm	
Housing Material	PA6 UL94-V0	

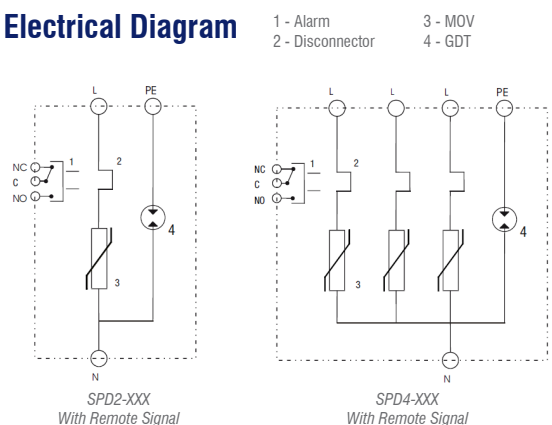
Dimensions (mm)



Wiring Diagram



Electrical Diagram



SPD-C Surge Protection Devices



SPD-C Surge Protection Modules

Part Number	SPDM-40-275	SPDNPE-40-255
Type Of Network Systems	TN, TT, IT	
Maximum Continuous Voltage	275V	255V
Maximum Discharge Surge Current	40kA	40kA
Normal Discharge Current	20kA	20kA
Voltage Protection Level	1.2kV	1.5kV
Fuse Or Circuit Breaker	32A	32A
Response Time	< 25ns	
Protection Rating	IP20	
Temperature Range	-40°C +80°C	
Disconnection Indicator	Green window: Healthy Red window: Replace	-



SPD-C Surge Protection Module Dimensions (mm)

