

CYLINDRICAL

FUSE LINKS & FUSE HOLDERS

CYLINDRICAL

FUSE LINKS & FUSE HOLDERS



04

gG
CYL
fuse links



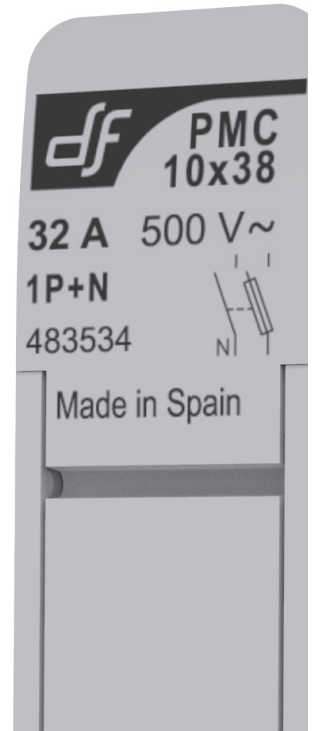
07

aM
CYL
fuse links



10

PMX
CYL
fuse holders



13

PMC
CYL
compact
fuse holders

CYLINDRICAL

FUSE LINKS & FUSE HOLDERS



14

PMF
CYL
fuse holders



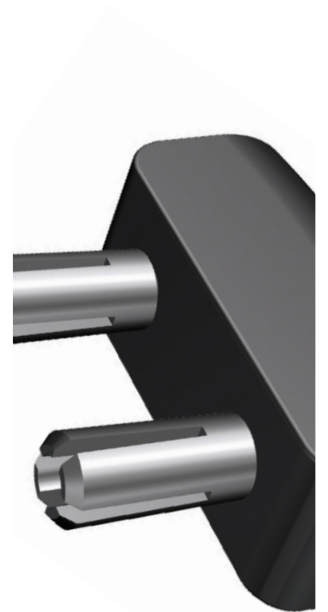
15

PMX-CC
CYL
fuse holders



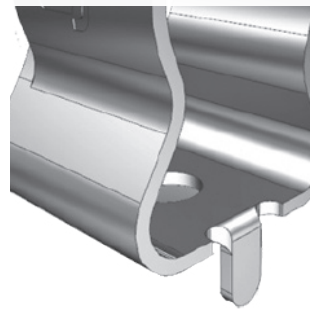
16

**CLIP
CONTACT**
CYL
Ø10 fuse links



16

PMB
CYL
plug connection
fuse holders





gG CYLINDRICAL fuse links

Cylindrical fuse links gG class for use as general protection against overloads and short circuits, intended as protection of cables, power lines and equipment. Made of ceramic tube with high withstand to internal pressure and thermal shock, that allow a high breaking capacity in a reduced physical space.

The melting elements are specially designed in order to avoid aging and thus maintain unalterable the electrical characteristics. Contact caps are made of silver plated copper. Versions available with fusing indicator or with striker for use in fuse holders with microswitch.



U **400V**

BREAKING CAPACITY **20kA**

NEUTRAL LINK

In (A)	REFERENCE		PACKING Uni /BOX
	WITHOUT INDICATOR	WITH INDICATOR	
0,5	420500	—	10/100
1	420501	—	10/100
2	420502	420602	10/100
4	420504	420604	10/100
6	420506	420606	10/100
8	420508	420608	10/100
10	420510	420610	10/100
12	420512	420612	10/100
16	420516	420616	10/100
20	420720	420820	10/100
NEUTRAL LINK		430000	10/100



U **500V**

BREAKING CAPACITY **120kA**

U **400V**

BREAKING CAPACITY **120kA**

NEUTRAL LINK

0,5	420000	—	10/100
1	420001	—	10/100
2	420002	420102	10/100
4	420004	420104	10/100
6	420006	420106	10/100
8	420008	420108	10/100
10	420010	420110	10/100
12	420012	420112	10/100
16	420016	420116	10/100
20	420020	420120	10/100
25	420025	420125	10/100
NEUTRAL LINK		430032	10/100
NEUTRAL LINK		431000	10/100



STANDARDS

IEC 60269-1
IEC 60269-2
EN 60269-1
EN 60269-2

DIMENSIONS POWER DISSIPATION

PAG 17

t-I | CUT-OFF | I_{2t} CHARACTERISTICS

PAG 18

DC APPLICATIONS FOR CYLINDRICAL FUSE LINKS

PAG 33

COMPATIBLE PMX | PMC | PMF | PMB | CLIP CONTACT Ø10

PAG 10^{PMX}
PAG 13^{PMC}

PAG 14^{PMF}
PAG 16^{PMB CLIP CONTACT Ø10}

14x51

U **690V**
BREAKING CAPACITY **80kA**

U **500V**
BREAKING CAPACITY **120kA**

U **400V**
BREAKING CAPACITY **120kA**

NEUTRAL LINK

In (A)	REFERENCE		PACKING Uni./BOX
	WITHOUT INDICATOR	WITH INDICATOR	
1	421001	-	10/50
2	421002	421102	10/50
4	421004	421104	10/50
6	421006	421106	10/50
8	421008	421108	10/50
10	421010	421110	10/50
12	421012	421112	10/50
16	421016	421116	10/50
20	421020	421120	10/50
25	421025	421125	10/50
32	421032	421132	10/50
40	421040	421140	10/50
50	421050	421150	10/50
NEUTRAL LINK		432000	10/50



22x58

U **690V**
BREAKING CAPACITY **80kA**

U **500V**
BREAKING CAPACITY **120kA**

OVERRATING FUSES
U **400V**
BREAKING CAPACITY **120kA**

NEUTRAL LINK

2	422002	422102	10/50
4	422004	422104	10/50
6	422006	422106	10/50
8	422008	422108	10/50
10	422010	422110	10/50
12	422012	422112	10/50
16	422016	422116	10/50
20	422020	422120	10/50
25	422025	422125	10/50
32	422032	422132	10/50
40	422040	422140	10/50
50	422050	422150	10/50
63	422063	422163	10/50
80	422080	422180	10/50
100	422000	422100	10/50
125	422015	422115	10/50
NEUTRAL LINK		433000	10/50



STANDARDS
IEC 60269-1
IEC 60269-2
EN 60269-1
EN 60269-2

**DIMENSIONS
POWER DISSIPATION**
PAG 17

**t-I | CUT-OFF | I_{2t}
CHARACTERISTICS**
PAG 18

**DC APPLICATIONS FOR
CYLINDRICAL FUSE LINKS**
PAG 33

**COMPATIBLE
PMX**
PAG 10

CYLINDRICAL

FUSE LINKS & FUSE HOLDERS

14x51

U **500V**
BREAKING CAPACITY **120kA**

U **400V**
BREAKING CAPACITY **120kA**

NEUTRAL LINK

In (A)	REFERENCE WITH STRIKER	PACKING Uni /BOX
2	421202	10/50
4	421204	10/50
6	421206	10/50
8	421208	10/50
10	421210	10/50
12	421212	10/50
16	421216	10/50
20	421220	10/50
25	421225	10/50
32	421232	10/50
40	421240	10/50
50	421250	10/50
	432000	10/50



22x58

U **690V**
BREAKING CAPACITY **80kA**

U **500V**
BREAKING CAPACITY **120kA**

OVERRATING FUSES

U **400V**
BREAKING CAPACITY **120kA**

NEUTRAL LINK

4	422204	10/50
6	422206	10/50
8	422208	10/50
10	422210	10/50
12	422212	10/50
16	422216	10/50
20	422220	10/50
25	422225	10/50
32	422232	10/50
40	422240	10/50
50	422250	10/50
63	422263	10/50
80	422280	10/50
100	422200	10/50
125	422215	10/50
	433000	10/50



STANDARDS
IEC 60269-1
IEC 60269-2
EN 60269-1
EN 60269-2

**DIMENSIONS
POWER DISSIPATION**
PAG 17

**t-I | CUT-OFF | I₂t
CHARACTERISTICS**
PAG 18

**DC APPLICATIONS FOR
CYLINDRICAL FUSE LINKS**
PAG 33

**COMPATIBLE
PMX**
PAG 10



aM CYLINDRICAL fuse links

Cylindrical fuse links aM class are intended for short circuit protection in motors, transformer and other load with high inrush currents. Excellent protection of switchgear (contactor, thermal switch) due to the good current limiting capability and low I^2t values.

These fuse links must be associated to an overload device protection as a thermal switch. Made of ceramic tube with high withstand to internal pressure and thermal shock, that allow a high breaking capacity in a reduced physical space. The melting elements are silver plated in order to avoid the aging and thus keep unalterable the electric characteristics. Contacts caps are made of silver plated copper. Available versions with fusing indicator or with striker for use in fuse holders with microswitch.



U **400V**

BREAKING CAPACITY **20kA**

NEUTRAL LINK

In
(A)

REFERENCE

PACKING

WITHOUT INDICATOR

WITH INDICATOR

Uni /BOX



In (A)	WITHOUT INDICATOR	WITH INDICATOR	PACKING Uni /BOX
1	411101	411201	10/100
2	411102	411202	10/100
4	411104	411204	10/100
6	411106	411206	10/100
8	411108	—	10/100
10	411110	411210	10/100



U **500V**

BREAKING CAPACITY **120kA**

U **400V**

BREAKING CAPACITY **120kA**

NEUTRAL LINK

0,16
0,25
0,5
1
2
4
6
8
10
12
16

440031
440033
440000
440001
440002
440004
440006
440008
440010
440012
440016

—
—
—
440101
440102
440104
440106
440108
440110
440112
440116

10/100
10/100
10/100
10/100
10/100
10/100
10/100
10/100
10/100
10/100
10/100

20
25

440020
440025

440120
440125

10/100
10/100

431000

10/100



STANDARDS

IEC 60269-1
IEC 60269-2
EN 60269-1
EN 60269-2

DIMENSIONS POWER DISSIPATION

PAG 19

t-I | CUT-OFF | I²t CHARACTERISTICS

PAG 20

DC APPLICATIONS FOR CYLINDRICAL FUSE LINKS

PAG 33

COMPATIBLE PMX | PMF

PAG 10 ^{PMX}
PAG 14 ^{PMF}

CYLINDRICAL

FUSE LINKS & FUSE HOLDERS

14x51

U **690V**

BREAKING CAPACITY **80kA**

U **500V**

BREAKING CAPACITY **120kA**

U **400V**

BREAKING CAPACITY **120kA**

NEUTRAL LINK

In
(A)

REFERENCE

WITHOUT INDICATOR

WITH INDICATOR

PACKING

Uni /BOX



0,25	441031	-	10/50
0,5	441000	-	10/50
1	441001	441101	10/50
2	441002	441102	10/50
4	441004	441104	10/50
6	441006	441106	10/50
8	441008	441108	10/50
10	441010	441110	10/50
12	441012	441112	10/50
16	441016	441116	10/50
20	441020	441120	10/50
25	441025	441125	10/50
32	441032	441132	10/50
40	441040	441140	10/50
45	441045	441145	10/50
50	441050	441150	10/50
NEUTRAL LINK		432000	10/50



22x58

U **690V**

BREAKING CAPACITY **80kA**

U **500V**

BREAKING CAPACITY **120kA**

OVERRATING FUSES

U **400V**

BREAKING CAPACITY **120kA**

NEUTRAL LINK

2	442002	442102	10/50
4	442004	442104	10/50
6	442006	442106	10/50
8	442008	442108	10/50
10	442010	442110	10/50
12	442012	442112	10/50
16	442016	442116	10/50
20	442020	442120	10/50
25	442025	442125	10/50
32	442032	442132	10/50
40	442040	442140	10/50
50	442050	442150	10/50
63	442063	442163	10/50
80	442080	442180	10/50
100	442000	442100	10/50
125	442015	442115	10/50
NEUTRAL LINK		433000	10/50



STANDARDS

IEC 60269-1
IEC 60269-2
EN 60269-1
EN 60269-2

**DIMENSIONS
POWER DISSIPATION**

PAG 19

**t-I | CUT-OFF | I_{2t}
CHARACTERISTICS**

PAG 20

**DC APPLICATIONS FOR
CYLINDRICAL FUSE LINKS**

PAG 33

**COMPATIBLE
PMX**

PAG 10

14x51

U **500V**

BREAKING CAPACITY **120kA**

U **400V**

BREAKING CAPACITY **120kA**

NEUTRAL LINK

In
(A)

REFERENCE

WITH
STRIKER



PACKING

Uni /BOX

1	441201	10/50
2	441202	10/50
4	441204	10/50
6	441206	10/50
8	441208	10/50
10	441210	10/50
12	441212	10/50
16	441216	10/50
20	441220	10/50
25	441225	10/50
32	441232	10/50
40	441240	10/50
45	441245	10/50
50	441250	10/50
	432000	10/50



22x58

U **690V**

BREAKING CAPACITY **80kA**

U **500V**

BREAKING CAPACITY **120kA**

OVERRATING FUSES

U **400V**

BREAKING CAPACITY **120kA**

NEUTRAL LINK

2	442202	10/50
4	442204	10/50
6	442206	10/50
8	442208	10/50
10	442210	10/50
12	442212	10/50
16	442216	10/50
20	442220	10/50
25	442225	10/50
32	442232	10/50
40	442240	10/50
50	442250	10/50
63	442263	10/50
80	422280	10/50
100	422200	10/50
125	442215	10/50
	433000	10/50



STANDARDS

IEC 60269-1
IEC 60269-2
EN 60269-1
EN 60269-2

**DIMENSIONS
POWER DISSIPATION**

PAG 19

**t-I | CUT-OFF | I_{2t}
CHARACTERISTICS**

PAG 20

**DC APPLICATIONS FOR
CYLINDRICAL FUSE LINKS**

PAG 33

**COMPATIBLE
PMX**

PAG 10

CYLINDRICAL

FUSE LINKS & FUSE HOLDERS



PMX CYLINDRICAL fuse holders

**PATENTED
DESIGN**

- Available in an extended range of different versions with fuse indicator, with microswitch, 690V, 24 V DC, Microswitch FUSING + PRE-BREAKING + FUSE LINK DETECTION.
- Accessory available to lock the fuse holder by a padlock.
- IP20 Security accessory in terminal zones.
- For wires of section ≤10 mm².
- All the versions with label holder for a good circuit identification.
- Compact design.
- Accessories for multiple poles assembly for fuse holders and microswitch.
- Ventilation zones optimized for a better heat dissipation.

- 2 position DIN Rail fixation.
- Made of a polymer high performance with a fusion temperature more than 300 °C. This provides a safety margin against a possible overheating of the fuse, and when it exceeds the rated power acceptance of the fuse holder.
- The PMX fuse holder can be fixed/unfixed on DIN rail with the same screwing tools that the installer uses for cable terminal fixing, regardless the screw driver head is in form of slot or PZZ.
- PMX Fuse holder is made of halogen free plastic, prepared for future restrictions on these substances.
- IEC (CB) tested.



8x32

U 400V AC/DC

In 25A

POLES	MODULES	REFERENCE		PACKING Uni /BOX
		WITHOUT INDICATOR	WITH INDICATOR	
I	1	485001	485008	12/180
I+N	2	485003	485009	6/90
2	2	485004	485010	6/90
3	3	485005	485011	4/60
3+N	4	485006	485012	3/45
4	4	485007	485013	3/45



10x38

U 690V AC
750V DC

In 32A



U 24V DC

In 32A

I	1	485101	485108	12/180
N	1	485102	-	12/180
I+N	1	485120	-	12/180
I+N	2	485103	485109	6/90
2	2	485104	485110	6/90
3	3	485105	485111	4/60
3+N	3	485121	-	4/60
3+N	4	485106	485112	3/45
4	4	485107	485113	3/45
I	1,5	-	485114	12/180
2	3	-	485116	6/90



8x32 10x38

ACCESSORIES

REFERENCE	DESCRIPTION	PACKING Uni /BOX
480005	PIN FOR MULTIPOLE ASSEMBLY	12/300
485050	HANDLE TIES FOR MULTIPOLE ASSEMBLY	12/300
485051	LOCK ACCESSORY	5
485052	SPECIAL IP20 PROTECTION ACCESSORY	24
485053	PHASE SEPARATOR ACCESSORY	12
485054	REPLACEMENT FUSING NEON INDICATOR 120/690V AC	6
485055	REPLACEMENT FUSING LED INDICATOR 24V DC	6
485656	SCREW PROTECTION ACCESSORY	20



STANDARDS

IEC/EN 60269-1 UL 4248-1
IEC/EN 60269-2
GSA C22.2 4248-1

TECHNICAL DATA

PAG 21

MULTI-POLE ASSEMBLY

PAG 23

DIMENSIONS

PAG 24

ACCESSORIES

PAG 27

COMPATIBLE gG | aM FUSE LINKS

PAG 04 ^{gG}
PAG 07 ^{aM}

14x51

U	690V
IN	50A
STANDARDS	

POLES	MODULES	REFERENCE		PACKING Uni /BOX	
		WITHOUT INDICATOR	WITH INDICATOR		
U	I	1,5	485201	485208	6/90
	N	1,5	485202	-	6/90
	I + N	3	485203	485209	3/45
		3	485204	485210	3/45
	3 + N	4,5	485205	485211	2/30
IN	4	6	485206	485212	1/18
	4	6	485207	485213	1/18
U	1	1,5	-	485214	6/90
	1+N	3	-	485215	3/45
IN	2	3	-	485216	3/45



MICROSWITCH	
U	690V
IN	50A
STANDARDS	

POLES	MODULES	REFERENCE		PACKING Uni /BOX	
		PREBREAKING FUSING - PRESENCE	ONLY FUSION		
U	I	1,5	485220	485226	6/90
	I + N	3	485221	485227	3/45
	2	3	485222	485228	3/45
		3	4,5	485223	485229
	3+N	6	485224	485230	1/18
IN	4	6	485225	485231	1/18



14x51

ACCESSORIES	
* to convert standard base on microswitch base only fusing and as microswitch PMX spare prebreaking-fusing-presence	

REFERENCE	DESCRIPTION	PACKING Uni /BOX
480005	PIN FOR MULTIPOLE ASSEMBLY	12/300
485356	HANDLE TIES FOR MULTIPOLE ASSEMBLY	12/300
485357	HANDLE TIES FOR MICROSWITCH ASSEMBLY	12/300
485258	LOCK SUPPORT	5
485259	MICROSWITCH 1P *	5
485260	MICROSWITCH 3P *	2
485261	MICROSWITCH 3P (2M) *	2
485262	MICROSWITCH UNIPOLAR EXTENSION	5
485263	MICROSWITCH TRIPOLAR EXTENSION	2
485264	REPLACEMENT FUSING INDICATOR NEON 120/690 VAC	3
485265	REPLACEMENT FUSING INDICATOR LED 24 VDC	3
485266	SPECIAL PROTECTION IP20 ACCESSORY PMX-14	12
485271	SPECIAL CONNECTION M6 ACCESSORY	12
485656	SCREW PROTECTION ACCESSORY	20



STANDARDS

IEC/EN 60269-1 UL 4248-1
IEC/EN 60269-2

TECHNICAL DATA

PAG 21

MULTI-POLE ASSEMBLY

PAG 23

DIMENSIONS

PAG 25

ACCESSORIES

PAG 27

COMPATIBLE gG I aM FUSE LINKS

PAG 04 ^{gG}
PAG 07 ^{aM}

22x58

U	690V
IN	100A
STANDARDS	
U	24V DC
IN	100A

Accept 125A fuse links

POLES	MODULES	REFERENCE		PACKING Uni /BOX	
		WITHOUT INDICATOR	WITH INDICATOR		
U	I	2	485301	485308	6/48
	N	2	485302	-	6/48
	I + N	4	485303	485309	3/24
		4	485304	485310	3/24
		6	485305	485311	2/16
I + N	8	485306	485312	1/8	
	8	485307	485313	1/8	
U	1	2	-	485314	6/48
	1+N	4	-	485315	3/24
IN	2	4	-	485316	3/24

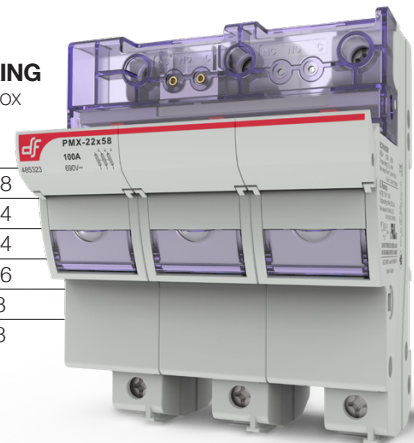


MICROSWITCH

U	690V
IN	100A
STANDARDS	

Accept 125A fuse links

POLES	MODULES	REFERENCE		PACKING Uni /BOX	
		PREBREAKING FUSING - PRESENCE	ONLY FUSION		
U	I	2	485320	485326	6/48
	I + N	4	485321	485327	3/24
	4	485322	485328	3/24	
I + N	6	485323	485329	2/16	
	8	485324	485330	1/8	
I + N	8	485325	485331	1/8	

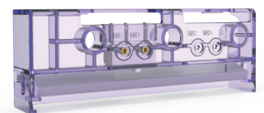


22x58

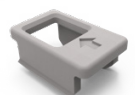
ACCESSORIES

* to convert standard base on microswitch base only fusing and as microswitch PMX spare prebreaking-fusing-presence

REFERENCE	DESCRIPTION	PACKING Uni /BOX
480005	PIN FOR MULTIPOLE ASSEMBLY	12/300
485356	HANDLE TIES FOR MULTIPOLE ASSEMBLY	12/300
485357	HANDLE TIES FOR MICROSWITCH ASSEMBLY	12/300
485358	LOCK SUPPORT	5
485359	MICROSWITCH 1P *	5
485360	MICROSWITCH 3P *	2
485361	MICROSWITCH 3P (2M) *	2
485362	MICROSWITCH UNIPOLAR EXTENSION	5
485363	MICROSWITCH TRIPOLAR EXTENSION	2
485364	REPLACEMENT FUSING INDICATOR NEON 120/690 VAC	3
485365	REPLACEMENT FUSING INDICATOR LED 24 VDC	3
485366	SPECIAL PROTECTION IP20 ACCESSORIE PMX-22	12
485367	SPECIAL CONNECTION M8 ACCESSORY	12
485371	SCREW PROTECTION ACCESSORY	20



485360



485366

STANDARDS

IEC/EN 60269-1 UL 4248-1
IEC/EN 60269-2

TECHNICAL DATA

PAG 21

MULTI-POLE ASSEMBLY

PAG 23

DIMENSIONS

PAG 26

ACCESSORIES

PAG 27

COMPATIBLE gg | aM FUSE LINKS

PAG 04 ^{gg}
PAG 07 ^{aM}

PMC CYLINDRICAL fuse holders

PATENTED DESIGN

Compact fuse holders for industrial cylindrical fuse links. Very low dimensions. For mounting on DIN/EN rail. Single phase models or single phase + neutral in only one module. Multi-pole units can be made with connection accessories.

PMC fuse holders are made with self-extinguishable materials and have silver plated copper contacts.



8x32

U **400V**
In **25A**

POLES	MODULES	REFERENCE	PACKING Uni /BOX
I	1	483500	12/336
N	1	483502	12/336
I + N	1	483504	12/336
I + N	2	483506	6/168
2	2	483508	6/168
3	3	483510	4/112
3 + N	3	483512	4/112
3 + N	4	483514	3/84
4	4	483516	3/84



10x38

U **500V**
In **32A**

I	1	483530	12/336
N	1	483502	12/336
I + N	1	483534	12/336
I + N	2	483536	6/168
2	2	483538	6/168
3	3	483540	4/112
3 + N	3	483542	4/112
3 + N	4	483544	3/84
4	4	483546	3/84



8x32 10x38

ACCESSORIES

REFERENCE	DESCRIPTION	PACKING Uni /BOX
480005	PINS FOR MULTIPOLE ASSEMBLY	12/300
483550	PMC HANDLE TIES FOR MULTIPOLE ASSEMBLY	12/300
483552	PMC MULTIPOLE ASSEMBLY KIT	10/500



480005

STANDARDS

IEC/EN 60269-1
IEC/EN 60269-2

TECHNICAL DATA

PAG 22

MULTI-POLE ASSEMBLY

PAG 23

DIMENSIONS

PAG 29

COMPATIBLE gG | aM FUSE LINKS

PAG 04^{gG}
PAG 07^{aM}



PMF CYLINDRICAL fuse holders

Modular fuse holders for industrial cylindrical fuse links. For mounting on DIN/EN rail. Single phase models, single-phase+neutral in only one module and multi-pole types. Available with fusing indicator or with microswitch for use with fuse links with striker (only fusing detection or fusing+pre-breaking+fuse link detection).

Multi-pole units can be made of connection accessories. PMF fuse holders are made of self-extinguishable materials and have silver plated copper contacts.



U	690V
In	32A
U	400V
In	32A

POLES	MODULES	REFERENCE		PACKING Uni /BOX
		WITHOUT INDICATOR	WITH INDICATOR	
I	1	480032	-	12/192
	1	480032 N	-	12/192
I + N	2	480132	-	6/96
	2	480232	-	6/96
	3	480332	-	4/64
	4	480432	-	3/48
3 + N	4	480532	-	3/48
	1	480135	480335 I	12/192
3 + N	3	480335	-	4/64



ACCESSORIES

REFERENCE	DESCRIPCION	PACKING Uni /BOX
480005	PIN FOR MULTIPOLE ASSEMBLY	12/300
480006	HANDLE TIES FOR MULTIPOLE ASSEMBLY	12/300



STANDARDS

IEC/EN 60269-1
IEC/EN 60269-2

TECHNICAL DATA

PAG 22

MULTI-POLE ASSEMBLY

PAG 23

DIMENSIONS

PAG 30

COMPATIBLE gG | aM FUSE LINKS

PAG 04^{gG}
PAG 07^{aM}



PMX CC CLASS CYLINDRICAL fuse holders

Modular fuse holders for cylindrical **CC class fuse links**. For mounting on DIN/EN rail. Single phase and multi-pole types. Available with fusing indicator. Multi-pole units can be made with connection accessories.

PMCC fuse holders are made with self-extinguishable materials and have silver plated copper contacts. UL approval.



U **600V**

In **30A**

STANDARDS

POLES

REFERENCE

PACKING

WITHOUT
INDICATOR

WITH
INDICATOR

Uni /BOX

POLES	REFERENCE WITHOUT INDICATOR	REFERENCE WITH INDICATOR	PACKING Uni /BOX
I	485181	485188	12/180
II	485184	485190	6/90
III	485185	485191	4/60



ACCESSORIES

REFERENCE

DESCRIPTION

PACKING

Uni /BOX

REFERENCE	DESCRIPTION	PACKING Uni /BOX
480005	PIN FOR MULTIPOLE ASSEMBLY	12/300
485050	HANDLE TIES FOR MULTIPOLE ASSEMBLY	12/300



480005



485050

STANDARDS

IEC/EN 60269-1 UL 4248-1
IEC/EN 60269-2 UL 4248-4
CSA C22.2 4248-4

TECHNICAL DATA

PAG 22

MULTI-POLE ASSEMBLY

PAG 23

DIMENSIONS

PAG 31



CLIP CONTACT CYLINDRICAL Ø10 fuse links

Clip contact for Ø10 cylindrical fuse links.
Screw fixation and PCB versions. Manufactured in tinned bronze.
All the materials are according to the European Directive RoHS (Restriction of the use of certain hazardous substances in electrical material).



FIXATION **SCREW**

U UP TO **1500V AC/DC**

In **25A**

P_d max
(W)

REFERENCE

PACKING
Uni /BOX

4

482001

50/200



FIXATION **PCB**

U UP TO **1500V AC/DC**

In **25A**

4

482002

50/200



PLUG CONNECTION CYLINDRICAL fuse holders

Suitable for use with cylindrical fuses size 10x38 according to IEC 60269 standard.
Contacts of silver electrolytic copper. Zinc plated brass connector.



U **500V**

In **32A**

POLES

MODULES

REFERENCE

PACKING
Uni /BOX

1

1

490030

20/100



STANDARDS

IEC 60269-1
IEC 60269-2
EN 60269-1
EN 60269-2

TECHNICAL DATA

PAG 22

DIMENSIONS

PAG 32 CLIP CONTACT Ø10

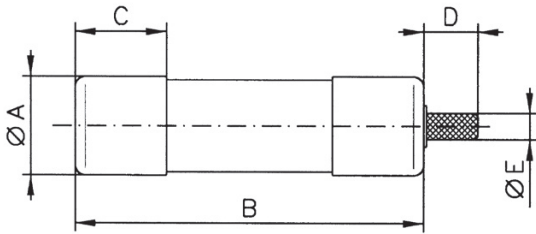
**COMPATIBLE
gG FUSE LINKS**

PAG 04

gG CYLINDRICAL fuse links



DIMENSIONS



	A	B	C	D	E
8x32	8,5	31,5	6,3	-	-
10x38	10,3	38	8,5	-	-
14x51	14,3	51	11,5	8	3,7
22x58	22,2	58	15,5	8	3,7

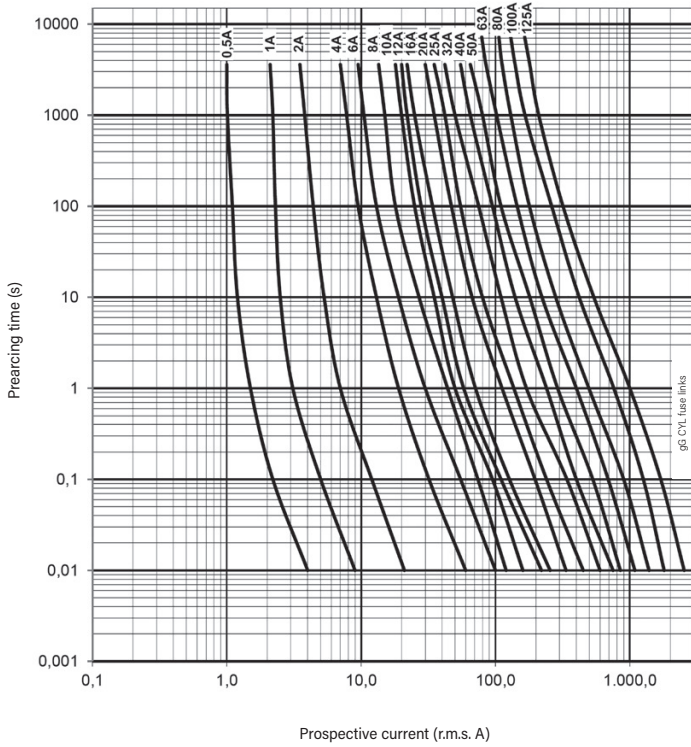
TECHNICAL DATA

	RATED VOLTAGE	RATED CURRENT	BREAKING CAPACITY
8x32	400V	0,5A...20A	20kA
10x38	500V 400V	0,5A...25A 32A	120kA 120kA
14x51	690V 500V 400V	1A...25A 32A 40A 50A	80kA 120kA 120kA
22x58	690V 500V 400V	2A...63A 80A 100A 125A	80kA 120kA 120kA

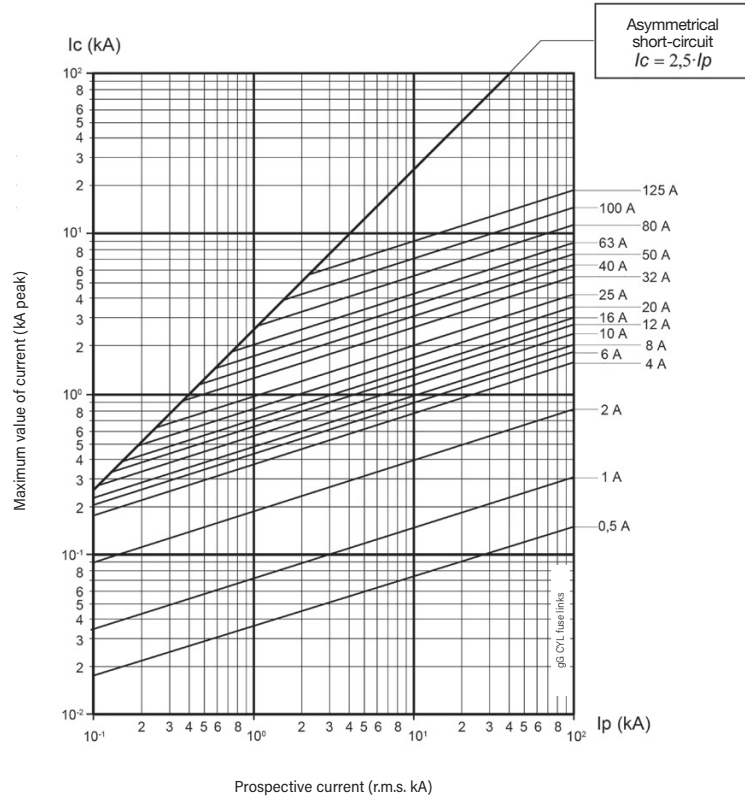
POWER DISSIPATION

RATED CURRENT (A)	8x32 (W)	10x38 (W)	14x51 (W)	22x58 (W)
0,5	1,2	1,43	-	-
1	2,0	2,77	3,90	-
2	0,5	0,60	0,90	1,00
4	0,8	0,70	1,00	1,10
6	1,1	0,85	1,15	1,30
8	1,3	0,75	1,00	1,10
10	1,0	1,00	1,30	1,50
12	1,2	1,30	1,70	1,80
16	1,5	1,60	2,00	2,10
20	2,0	2,00	2,50	2,70
25	-	2,60	3,30	3,30
32	-	2,90	3,50	3,50
40	-	-	4,75	4,00
50	-	-	4,80	5,50
63	-	-	-	6,90
80	-	-	-	7,80
100	-	-	-	9,00
125	-	-	-	11,4

t-I CHARACTERISTICS



CUT-OFF CHARACTERISTICS



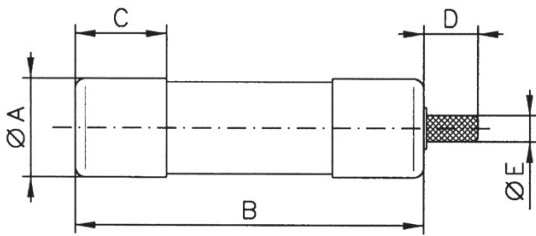
I²t CHARACTERISTICS

RATED CURRENT (A)	PREARcing I ² t (A ² s)	I ² t 400V (W @ I _n)	I ² t 500V (A ² s)	I ² t 690V (A ² s)
0,5	4,0	8,6	10,4	15,0
1	6,5	13,2	15,7	22,0
2	7,0	14,6	17,6	25,0
4	45	90	108	150
6	70	140	166	230
8	80	158	188	260
10	120	248	297	420
12	180	362	431	600
16	270	536	636	880
20	500	981	1.162	1.600
25	800	1.688	2.034	2.900
32	1.200	2.412	2.871	4.000
40	2.500	4.907	5.808	8.000
50	5.100	11.262	13.728	20.000
63	7.900	16.451	19.762	28.000
80	16.000	37.242	46.000	-
100	28.000	68.072	85.000	-
125	40.000	120.000	-	-

aM | **gG**
CYLINDRICAL
fuse links



DIMENSIONS



	A	B	C	D	E
8x32	8,5	31,5	6,3	-	-
10x38	10,3	38	8,5	-	-
14x51	14,3	51	11,5	8	3,7
22x58	22,2	58	15,5	8	3,7

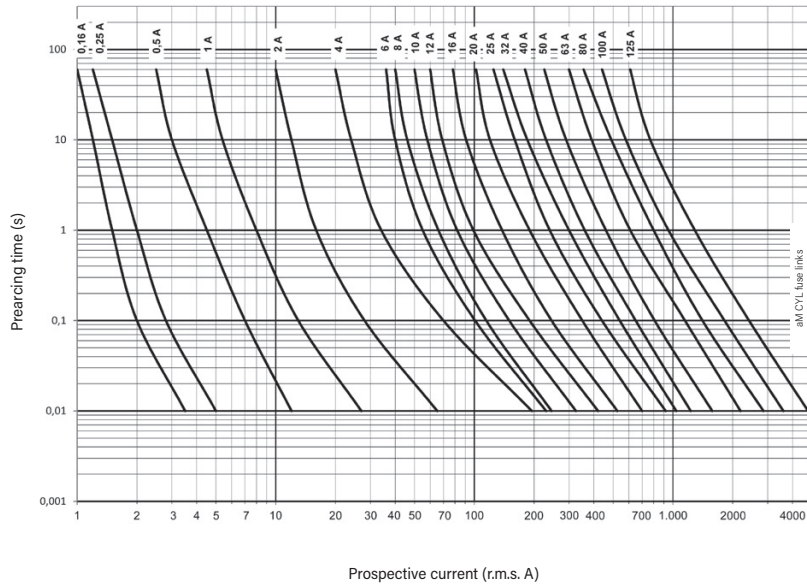
TECHNICAL DATA

	RATED VOLTAGE	RATED CURRENT	BREAKING CAPACITY
8x32	400V	1A...10A	20kA
10x38	500V 400V	0,16A...16A 20A 25A	120kA 120kA
14x51	690V 500V 400V	1A...25A 32A...45A 50A	80kA 120kA 120kA
22x58	690V 500V 400V	2A...63A 80A 100A 125A	80kA 120kA 120kA

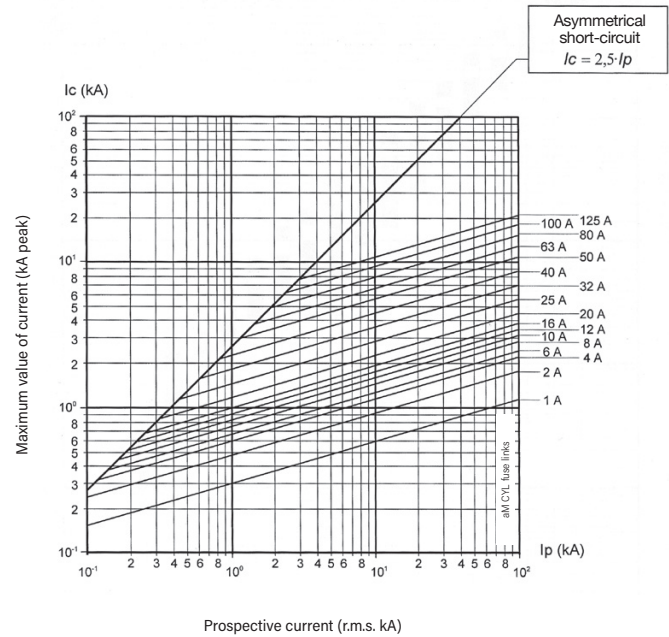
POWER DISSIPATION

RATED CURRENT (A)	8x32 (W)	10x38 (W)	14x51 (W)	22x58 (W)
0,16	-	0,24	-	-
0,25	-	0,36	0,41	-
0,5	-	0,49	0,69	-
1	0,10	0,10	0,14	-
2	0,16	0,18	0,24	0,29
4	0,25	0,31	0,45	0,48
6	0,35	0,32	0,42	0,47
8	0,40	0,52	0,70	0,73
10	0,65	0,55	0,53	0,74
12	-	0,63	0,88	0,83
16	-	0,92	1,16	1,21
20	-	0,96	1,23	1,29
25	-	1,40	1,46	1,53
32	-	-	2,04	2,13
40	-	-	2,60	3,40
45	-	-	2,85	-
50	-	-	2,90	3,48
63	-	-	-	4,46
80	-	-	-	5,86
100	-	-	-	6,61
125	-	-	-	8,42

t-I CHARACTERISTICS



CUT-OFF CHARACTERISTICS



I²t CHARACTERISTICS

RATED CURRENT (A)	PREARcing I ² t (A ² s)	I ² t 400V (W @ I _n)	I ² t 500V (A ² s)	I ² t 690V (A ² s)
0,16	3,0	6,7	8,2	12,0
0,25	4,0	8,6	10,4	15,0
0,5	6,5	13,2	15,7	22,0
1	9,5	18,5	21,9	30,0
2	40	83	99	140
4	90	181	215	300
6	120	250	300	425
8	220	448	535	750
10	300	733	916	1.400
12	380	936	1.173	1.800
16	550	1.608	2.103	3.500
20	950	2.488	3.165	5.000
25	1.300	3.728	4.851	8.000
32	2.500	6.207	7.791	12.000
40	4.500	10.685	13.263	20.000
45	8.000	16.538	19.831	28.000
50	10.000	19.626	23.230	32.000
63	15.000	31.520	37.950	54.000
80	30.000	59.088	70.000	-
100	50.000	113.945	140.000	-
125	80.000	200.000	-	-

CYLINDRICAL

FUSE LINKS & FUSE HOLDERS



RATED CURRENT	25 A	32 A	50 A	100 A
RATED VOLTAGE	400 V	690 V AC 750 V DC	690 V	690 V
RATED POWER DISSIPATION	2,5 W	3 W	5 W	9,5 W
UTILIZATION CATEGORY	AC-22B 400 V	AC-22B 500 V AC-21B 690 V DC-20B 750 V DC	AC-22B 500 V AC-21B 690 V	AC-21B 690 V
PROTECTION DEGREE	IP-20	IP-20	IP-20	IP-20
OPERATING TEMPERATURE	-20 ... 70 °C	-20 ... 70 °C	-20 ... 70 °C	-20 ... 70 °C
STORAGE TEMPERATURE	-40 ... 80 °C	-40 ... 80 °C	-40 ... 80 °C	-40 ... 80 °C
DERATING TEMPERATURE	20 °C	1	1	1
	30 °C	0,95	0,95	0,95
	40 °C	0,9	0,9	0,9
	50 °C	0,8	0,8	0,8
DERATING N° OF POLES	1 ... 4	1	1	1
	5 ... 6	0,8	0,8	0,8
	7 ... 9	0,7	0,7	0,7
	≥ 10	0,6	0,6	0,6
FIXING	RAIL DIN / EN	•	•	•
	SCREW	-	-	-
CONNECTING WIRE	0,75...16 mm ² STRANDED	0,75...16 mm ² STRANDED	1,5...25 mm ² STRANDED	1,5...35 mm ² STRANDED
	0,75...16 mm ² SOLID	0,75...16 mm ² SOLID	1,5...35 mm ² SOLID	1,5...50 mm ² SOLID
WITH LIGHTNING INDICATOR	120...400V AC	120...690V AC 12...24V DC	230...690V AC 24...60 VDC	230...690V AC 24...60 VDC
MAX. TIGHTENING TORQUE	2,5 Nm	2,5 Nm	3 Nm	4 Nm
WITH MICROSWITCH 5A-250V	FUSING	-	-	•
	PREBREAKING PRESENCE FUSING	-	-	•
MULTIPOLAR UNION WITH ACCESSORIES	•	•	•	•
LABEL HOLDER	•	•	•	•
LOCKING ACCESSORIES	•	•	•	•

STANDARDS



CYLINDRICAL

FUSE LINKS & FUSE HOLDERS



PMC 8x32



PMC 10x38



PMF 10x38



PMX-CC CC CLASS

	PMC 8x32	PMC 10x38	PMF 10x38	PMX-CC CC CLASS
RATED CURRENT	25 A	32 A	32 A	30 A
RATED VOLTAGE	400 V	690 V	690 V	600 V
RATED POWER DISSIPATION	3 W	3 W	3 W	3 W
UTILIZATION CATEGORY	AC-20	AC-20	AC-22B 500V AC-21B 690 V	-
PROTECTION DEGREE	IP-20	IP-20	IP-20	IP-20
OPERATING TEMPERATURE	-20 ... 70 °C	-20 ... 70 °C	-20 ... 70 °C	-20 ... 70 °C
STORAGE TEMPERATURE	-40 ... 80 °C	-40 ... 80 °C	-40 ... 80 °C	-40 ... 80 °C
DERATING TEMPERATURE	20 °C	1	1	1
	30 °C	0,95	0,95	0,95
	40 °C	0,9	0,9	0,9
	50 °C	0,8	0,8	0,8
	≥ 60 °C	0,7	0,7	0,7
DERATING N° OF POLES	1 ... 4	1	1	1
	5 ... 6	0,8	0,8	0,8
	7 ... 9	0,7	0,7	0,7
	≥ 10	0,6	0,6	0,6
FIXING	RAIL DIN / EN	•	•	•
	SCREW	-	-	-
CONNECTING WIRE	0,75...6 mm ² STRANDED	0,75...6 mm ² STRANDED	0,75 ... 16 mm ² STRANDED 0,75 ... 25 mm ² SOLID	0,75...16 mm ² STRANDED
	0,75...10 mm ² SOLID	0,75...10 mm ² SOLID	0,75...10 mm ² STRANDED (1P+N 1M) 0,75...16 mm ² SOLID (1P+N 1M)	0,75...16 mm ² SOLID
WITH LIGHTNING INDICATOR	-	-	120...690V AC 12...24V DC	120...690V AC 12...24V DC
MAX. TIGHTENING TORQUE	2 Nm	2 Nm	2,5 Nm 2 Nm (1P+N 1M)	2,5 Nm
WITH MICROSWITCH 5A-250V	FUSING	-	-	•
	PREBREAKING PRESENCE FUSING	-	-	•
MULTIPOLAR UNION WITH ACCESSORIES	•	•	•	•
LABEL HOLDER	-	-	-	•
LOCKING ACCESSORIES	-	-	-	•

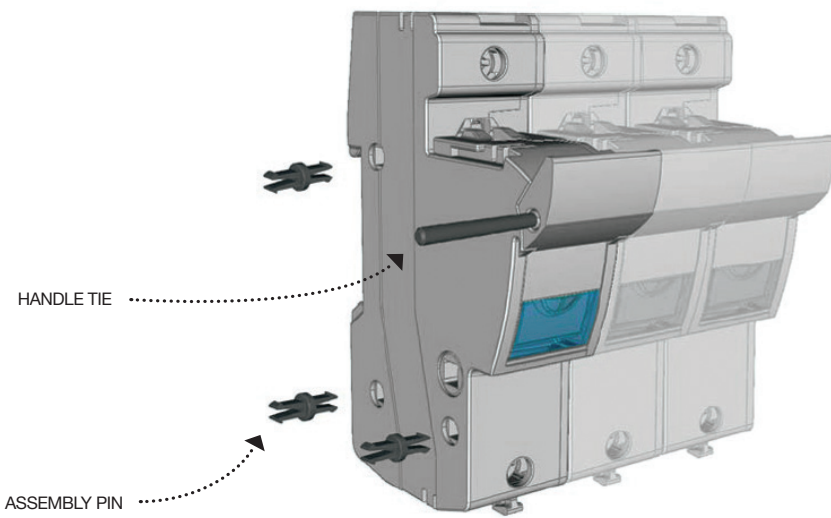
STANDARDS



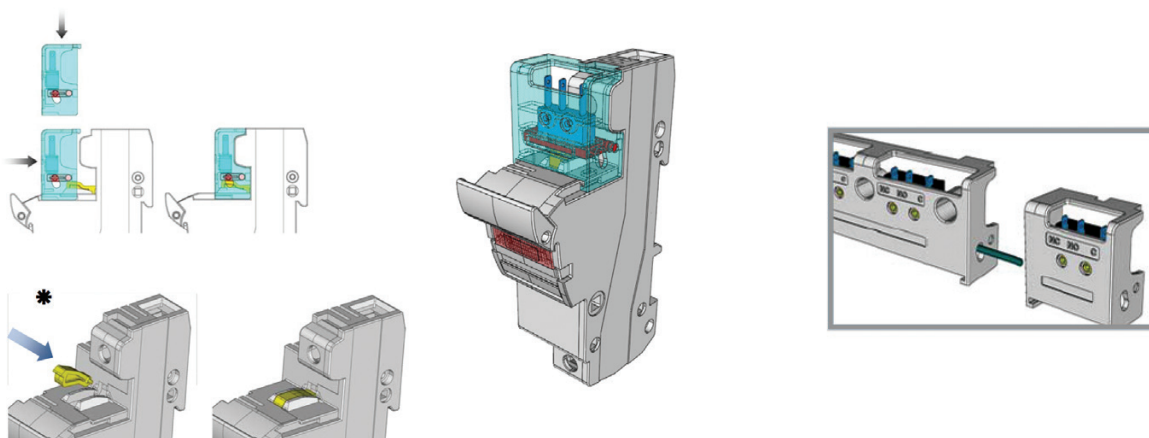


CYLINDRICAL fuse holders

UNION MULTIPOLAR



MONTAJE MICRORRUPTOR



Put on the **microswitch** on the guides, and push in horizontal movement to the final position.

* For **ONLY FUSION** accessory, first mount the lifter in his place.



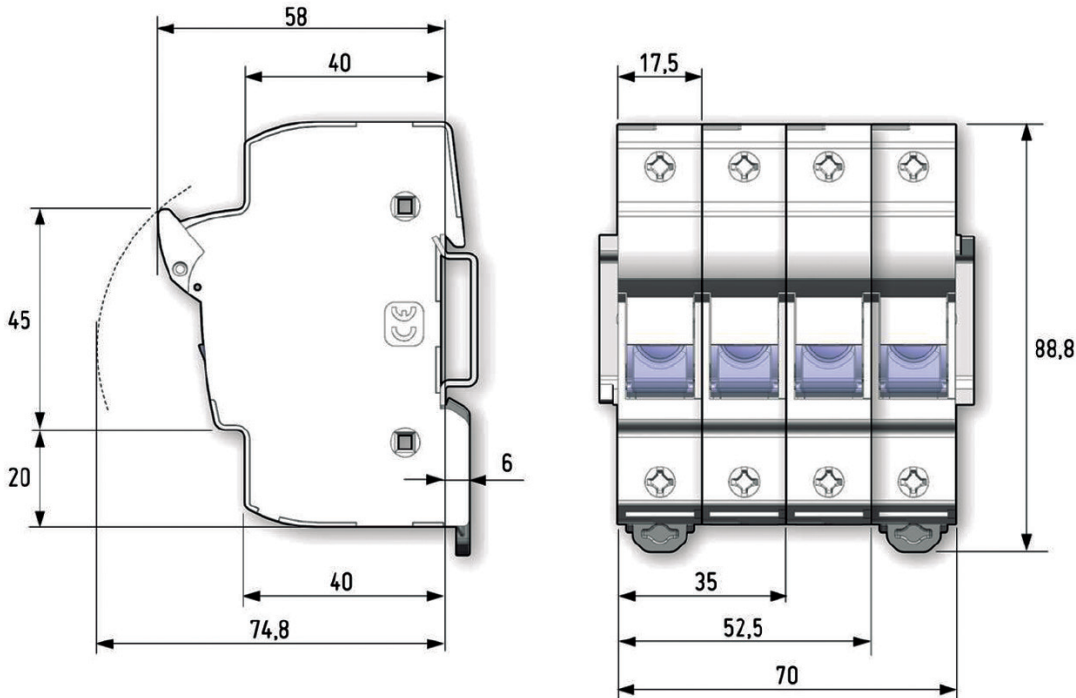
PMX CYLINDRICAL fuse holders

RATED VOLTAGE	RATED CURRENT	PROTECTION INDEX
400V	25A	IP20
690V AC 750V DC	32A	
24V DC	32A	



**PATENTED
DESIGN**

DIMENSIONS

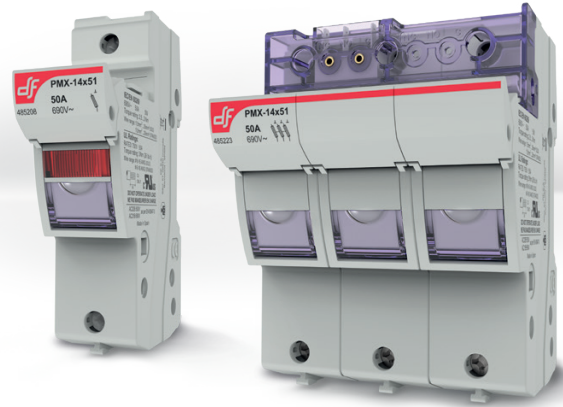


PMX

14x51

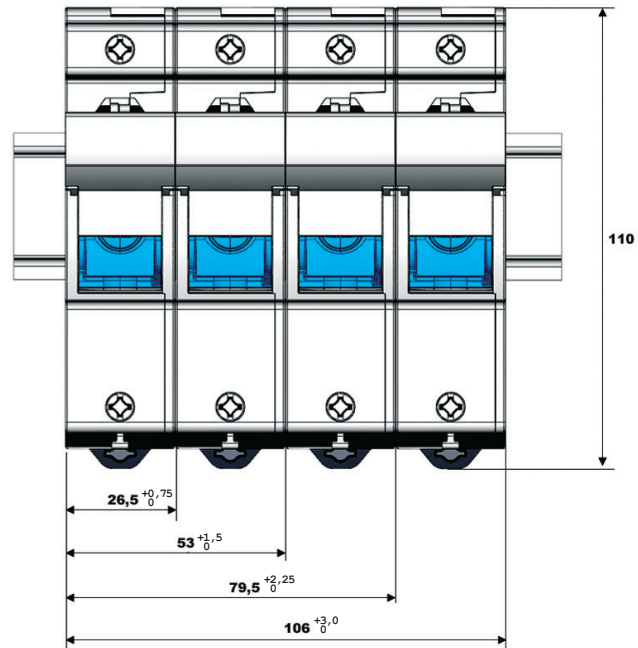
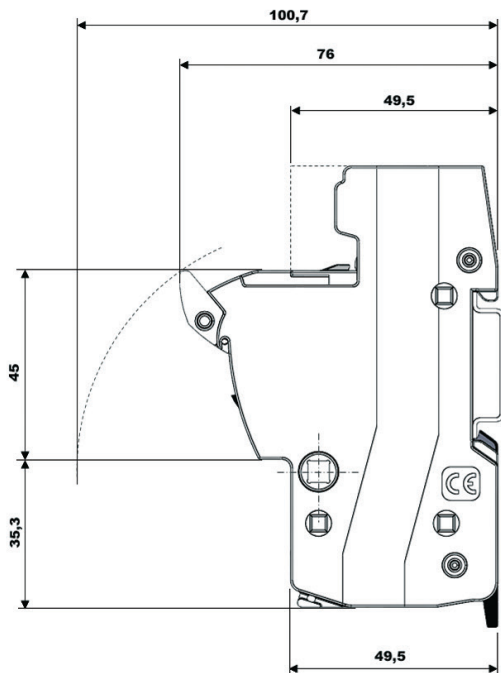
PMX
CYLINDRICAL
fuse holders

RATED VOLTAGE	RATED CURRENT	PROTECTION INDEX
690V AC	50A	IP20
24V DC		



**PATENTED
DESIGN**

DIMENSIONS



CYLINDRICAL

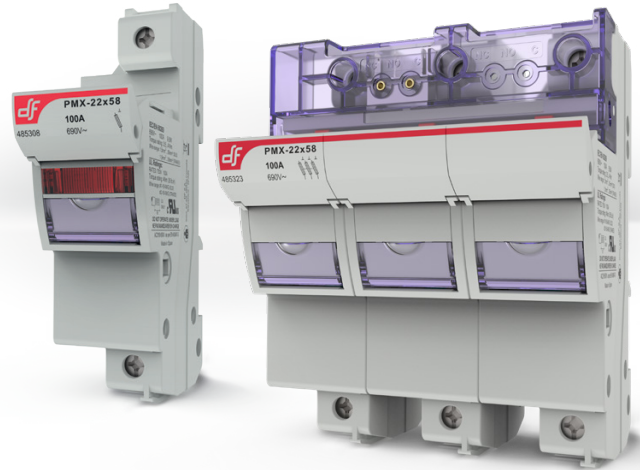
FUSE LINKS & FUSE HOLDERS

PMX

22x58

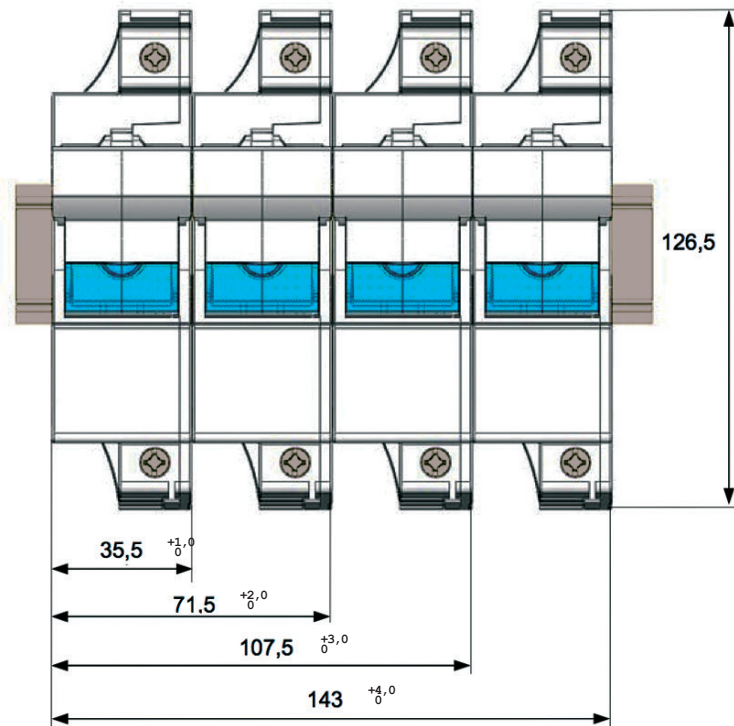
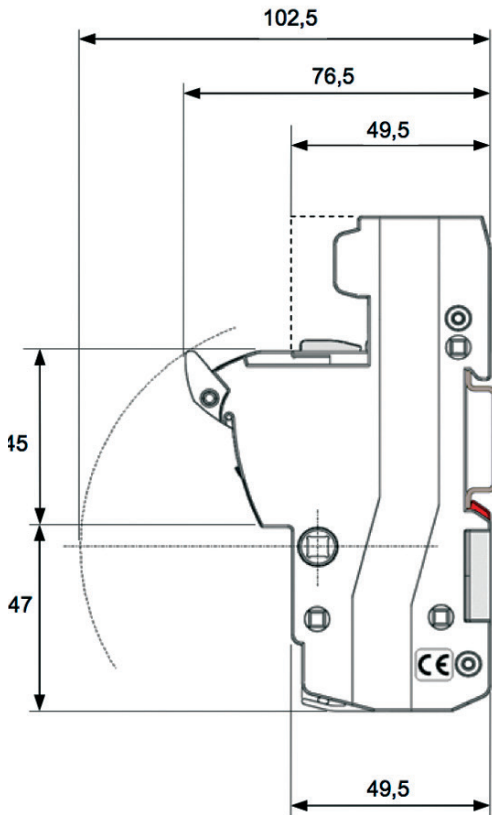
PMX
CYLINDRICAL
fuse holders

RATED VOLTAGE	RATED CURRENT	PROTECTION INDEX
690V AC 24V DC	100A	IP20



**PATENTED
DESIGN**

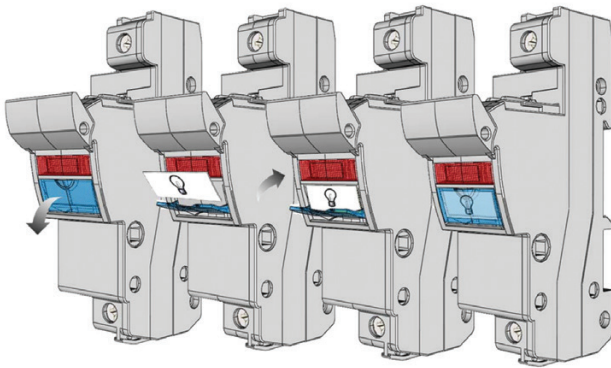
DIMENSIONS



PMX | **PMX**
CYLINDRICAL
fuse holders

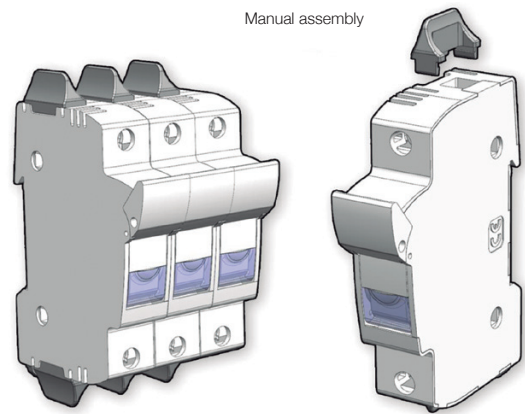
ACCESSORIES

IDENTIFICATION BY LABEL



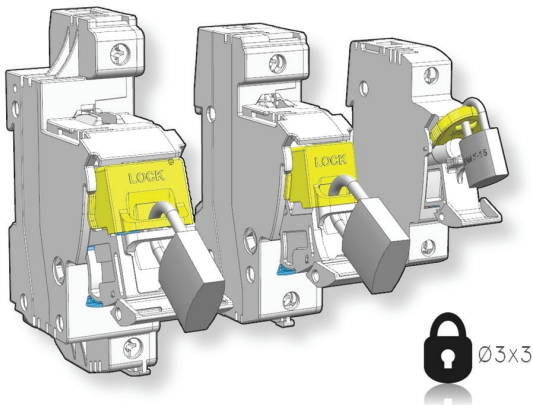
Open the label-holder part when the fuse holder is totally closed or totally open, put on the label and close.

PHASE SEPARATOR

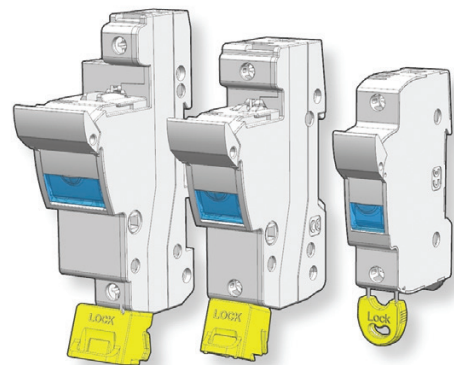


The accessory increases the distance between phases in multipolar assemblies.

LOCKING MEANS A PADLOCK

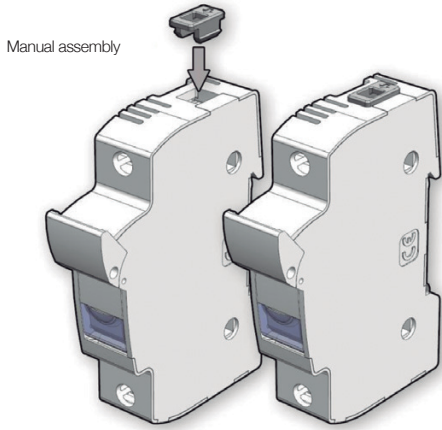


To avoid the operation and connection when the fuse holder is open, put on the accessory "Padlock support" sliding it for the guides, and covering the fuse link zone.



Introduce the padlock trough the symmetrical holes and close it.
(Is possible the use with or without fuse link)

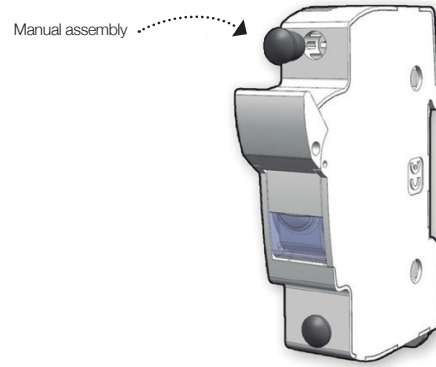
SPECIAL IP20 PROTECTION



The accessory must be positioned in the wire entries, if it's necessary to achieve the IP20 degree of protection with thin wires.

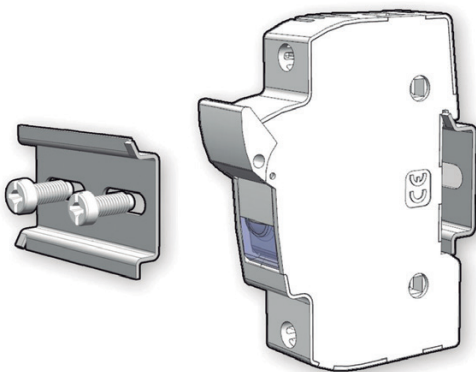
	SECTION FLEXIBLE WIRE (mm ²)	SECTION SOLID WIRE (mm ²)	LENGTH (mm)
8x32	≤6	≤10	10
10x38	≤6	≤10	10
14x51	≤10	≤16	14
22x58	≤16	≤25	18

SCREW PROTECTION



Protection accessory to avoid the screws manipulation and improve the protection degree.

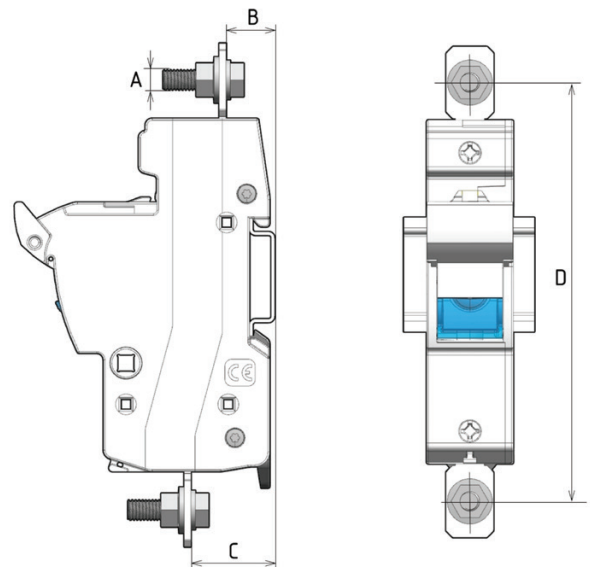
SCREW FIXATION



First mount the accessory with screws, then mount the fuseholder. (there are available different accessories depending the number of the fuseholder)

REFERENCE	SIZE (mm)
485650	25
485651	50
485652	75
485653	100
485654	125
485655	175

ACCESSORY SCREW CONNECTION



REFERENCE	A (mm)	B (mm)	C (mm)	D (mm)
14x51	M6	14,5	25	128,5
22x58	M8	15	23,5	154,5

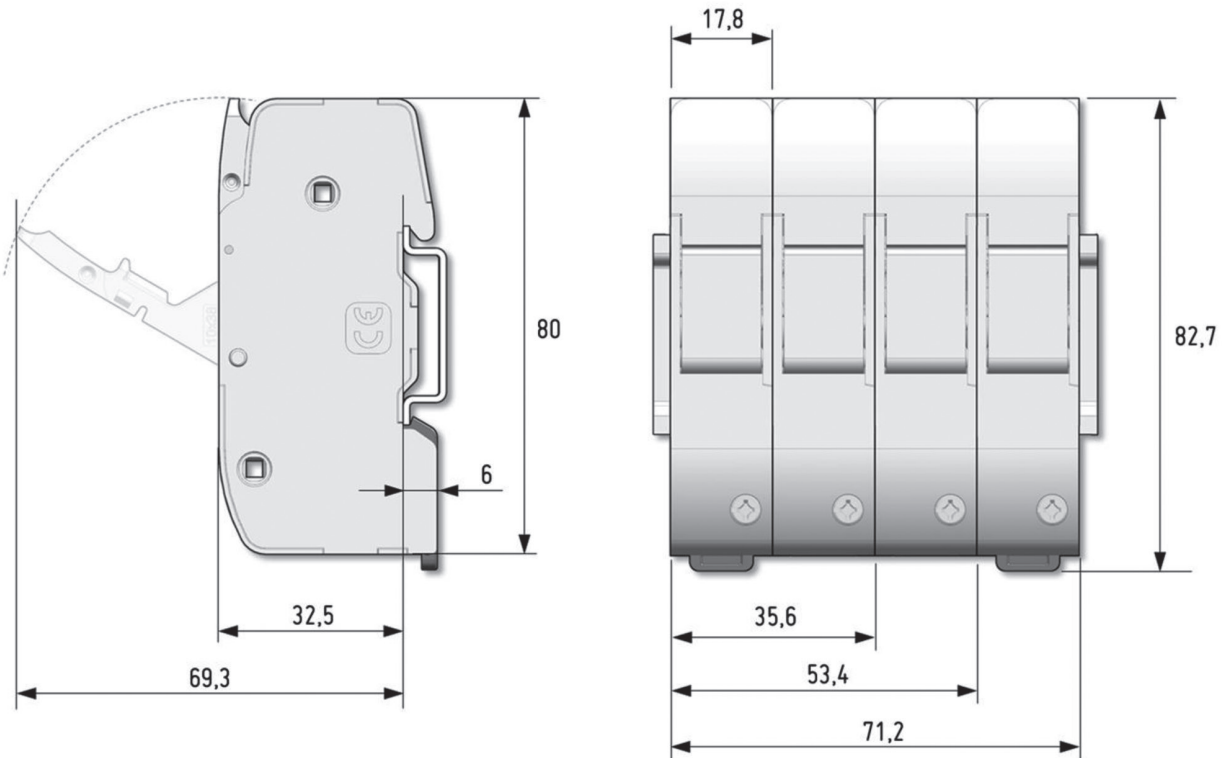
PMC CYLINDRICAL fuse holders

RATED VOLTAGE	RATED CURRENT	PROTECTION INDEX
400V	25A	IP20
500V	32A	



PATENTED DESIGN

DIMENSIONS

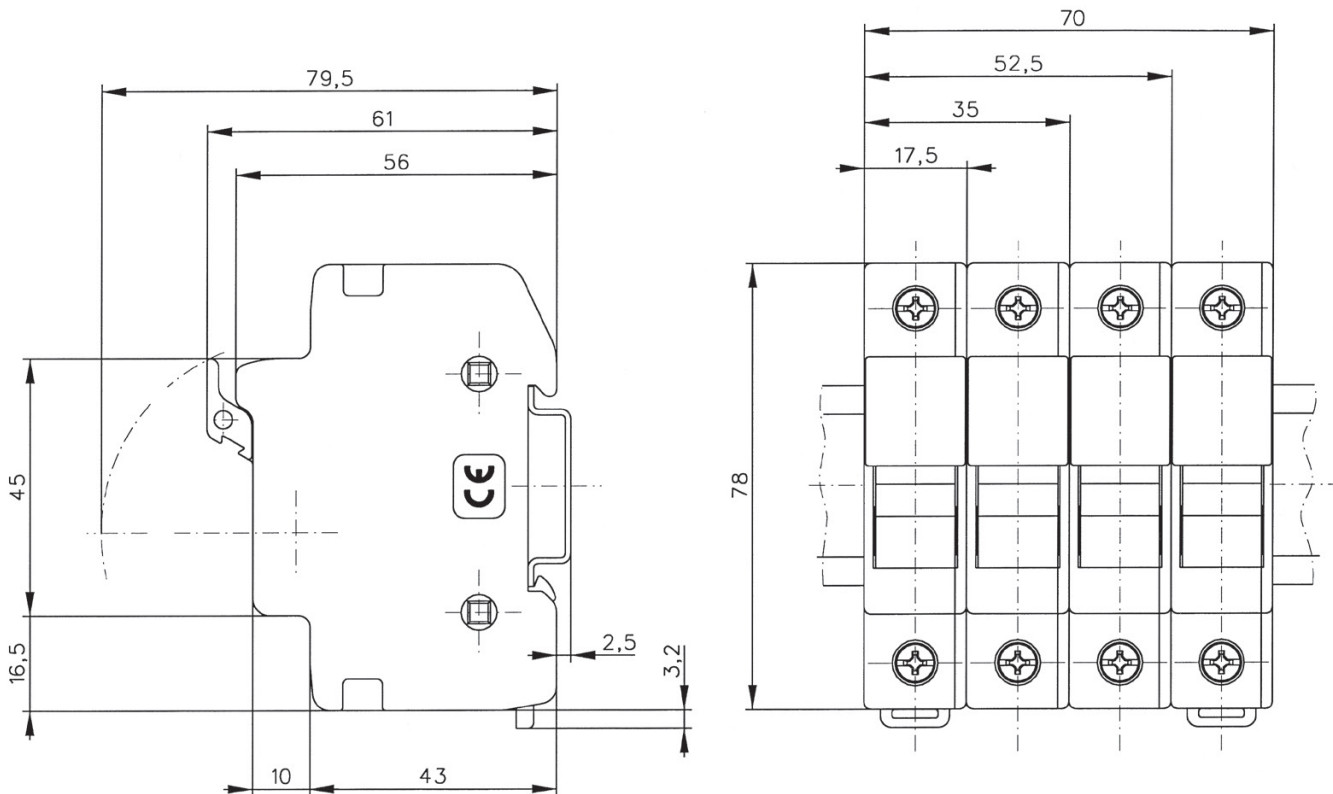


PMF CYLINDRICAL fuse holders

RATED VOLTAGE	RATED CURRENT	PROTECTION INDEX
690V	32A	IP20
400V	32A	



DIMENSIONS





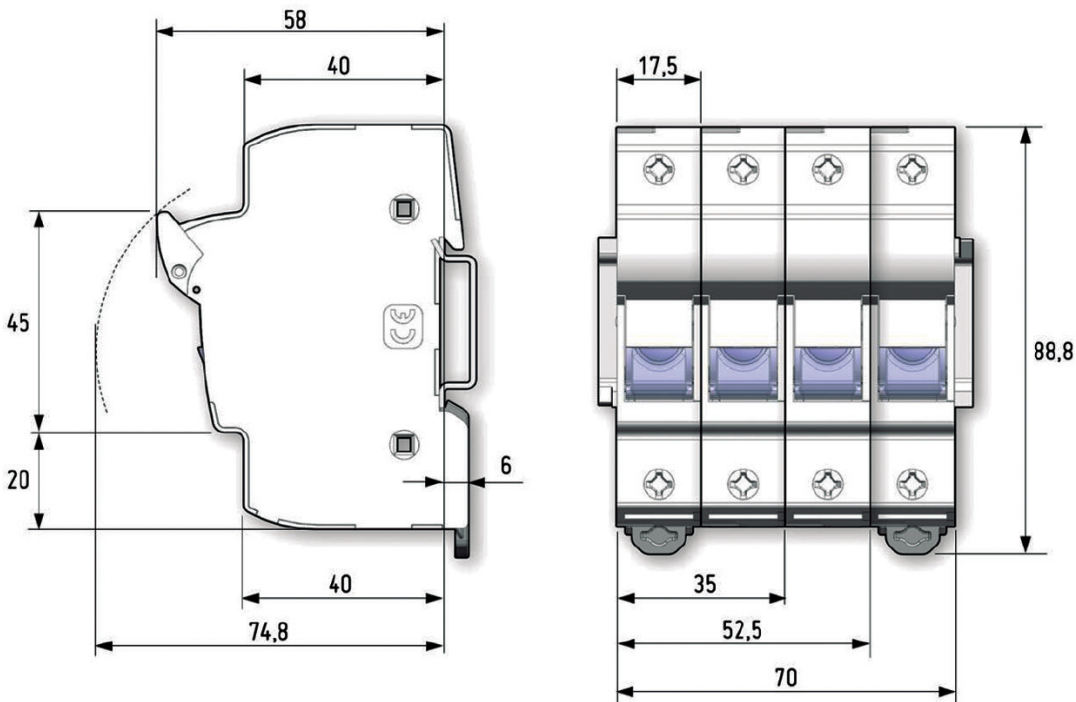
PMX CC CLASS CYLINDRICAL fuse holders

RATED VOLTAGE	RATED CURRENT	PROTECTION INDEX
600V	30A	IP20



**PATENTED
DESIGN**

DIMENSIONS



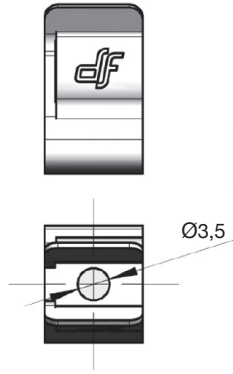
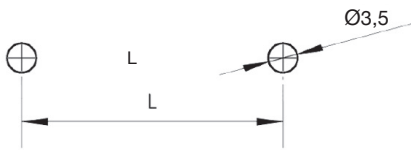


CLIP CONTACT CYLINDRICAL Ø10 fuse links

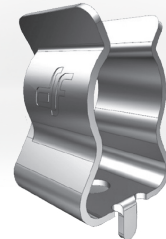
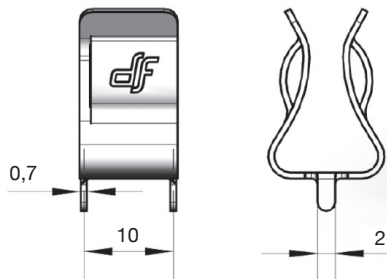
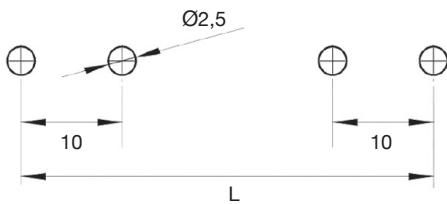
	RATED VOLTAGE	RATED CURRENT	RATED POWER DISSIPATION
UP TO	1500V AC/DC	25A	4W

DIMENSIONS

	L (mm)
10x38	32
10x85	79,6



	L (mm)
10x38	42
10x85	89,6






DC APPLICATIONS

Fuses are generally suitable for both AC and DC applications. The DC performance of fuse links is different and AC ratings cannot be used for DC applications. There is no simple rule that safely converts an AC voltage rating of a fuse link to DC voltage rating. For this reason it is necessary to take into account a lot of aspects in order to determine the DC applications.

In the **DF ELECTRIC gG Cylindrical fuse links** it is necessary to take into account the following considerations:

- The power dissipations are the same in AC (RMS value) and the DC values.
- The time current characteristics are the same for DC applications under steady-state conditions.
- The DC rated voltage and maximum breaking capacity are lower than the AC values (*see the table*).

	RATED CURRENT	MAX. DC VOLTAGE	DC BREAKING CAPACITY
8,5x31,5	0,5A...10A 12A...20A	150V DC 60V DC	5 kA
10x38	0,5A...16A 20A...32A	250V DC 80V DC	15 kA
14x51	1A...25A 32A & 40A 50A	440V DC 150V DC 48V DC	15 kA
22x58	2A...63A 80A & 100A 125A	440V DC 150V DC 48V DC	15 kA

NOTES

These values are referred to a time constant L/R = 15 ms.

For higher values of time constant, the maximum utilization voltage must be reduced.

For circuits with very inductive behaviour, we recommend to connect two fuses in series.



HEAD OFFICE AND FACTORY

SILICI, 67-69
08940 CORNELLA DE LLOBREGAT
BARCELONA
SPAIN
Tel. +34 93 377 85 85
Fax +34 93 377 82 82

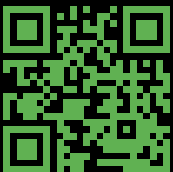
INTERNATIONAL SALES

Tel. +34 93 475 08 64
Fax +34 93 480 07 75
export@df-sa.es

NATIONAL SALES

Tel. 93 475 08 64
Fax 93 480 07 76
comercial@df-sa.es

www.df-sa.es



**PROTECTING
THE WORLD**

