



**UL Ratings**  
RATED: 1500V DC 30A  
Withstand rating 30kA DC  
Torque rating: 2.5Nm (22 lb.in)  
Wire range: 18...4 AWG  
Use 60/75/90°C Cu Wire only  
Use Photovoltaic Fuses

LISTED PHOTOVOLTAC FUSEHOLDER  
E359501  
DO NOT OPERATE UNDER LOAD

**IEC/EN 60269**  
1500V DC 1000V AC 32A  
Max. 6W  
Wire range: 0.75...16mm<sup>2</sup>

Made in Spain  
DF S.A., Silió 67, 08040 Cornellà  
Barcelona - SPAIN

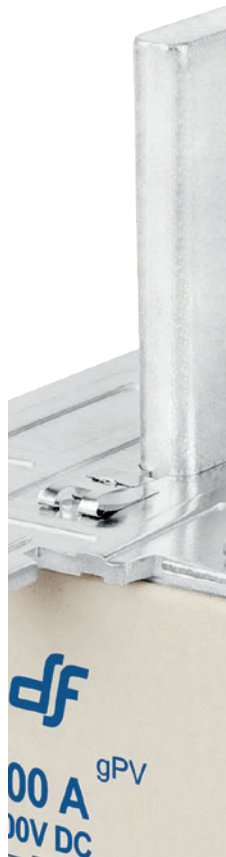
# PHOTOVOLTAIC

FUSE-LINKS & FUSE HOLDERS FOR PHOTOVOLTAIC APPLICATIONS



04

**gPV  
CYL**  
fuse links



06

**gPV  
NH**  
1000V DC  
fuse links



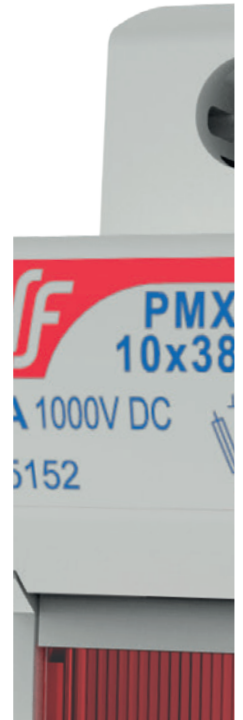
08

**gPV  
NH XL**  
1500V DC  
fuse links



10

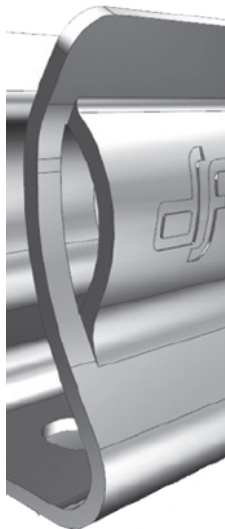
**gG/GL  
NH**  
800V AC  
fuse links



11

**PMX  
CYL**  
fuse holders





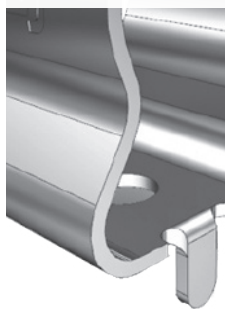
12

**PML  
CYL**  
fuse holders



13

**CLIP  
CONTACT  
CYL**  
Ø10 fuse links



14

**ST  
NH**  
1000V DC  
fuse bases



15

**ST  
NH XL**  
1500V DC  
fuse bases



16

**ST  
NH**  
800V AC  
fuse bases



**CYL** | **gPV**  
**CYLINDRICAL**  
fuse links

gPV 10x38 and 14x51 cylindrical fuse-links from DF Electric have been developed to offer a compact, safety and economic protection of photovoltaic modules (array protection) with voltages up to 1.000/1.100V DC.

They provide protection against overloads as well as short-circuit (gPV class according to the requirements of IEC60269-6 and UL248-19 Standards).

Made with ceramic tube with high withstand to internal pressure and thermal shock, that allows a high breaking capacity in a reduced physical space. Contacts are made in silver plated copper and melting elements are made in pure silver in order to avoid the aging and thus keep unalterable the electric characteristics.

For these fuse-links we recommend the utilization of PMX fuseholders.



**10x38**

U **1000V DC**

BREAKING CAPACITY **30kA**

STANDARDS

**NEUTRAL LINK**

$I_n$ (A)	REFERENCE	PACKING Uni /BOX
1	<b>491601</b>	10/100
2	<b>491602</b>	10/100
3	<b>491604</b>	10/100
4	<b>491605</b>	10/100
5	<b>491606</b>	10/100
6	<b>491610</b>	10/100
8	<b>491615</b>	10/100
10	<b>491620</b>	10/100
12	<b>491625</b>	10/100
15	<b>491629</b>	10/100
16	<b>491630</b>	10/100
20	<b>491635</b>	10/100
	<b>431000</b>	10/100



491635



**14x51**

U **1100V DC**

BREAKING CAPACITY **10kA**

U **1000V DC**

BREAKING CAPACITY **30kA**

**NEUTRAL LINK**

15	<b>491647</b>	10/50
20	<b>491648</b>	10/50
25	<b>491650</b>	10/50
32	<b>491655</b>	10/50
	<b>432000</b>	10/50



491655

**STANDARDS**

IEC 60269-1  
IEC 60269-6  
UL 248-19

**DIMENSIONS**

PAG 18   
PAG 19

**t-I CHARACTERISTICS**

PAG 18   
PAG 19

**AMBIENT TEMPERATURE DERATING FACTOR**

PAG 43

**COMPATIBLE PMX FUSE HOLDERS**

PAG 11

**COMPATIBLE CLIP CONTACT Ø 10 FUSE-LINKS**

PAG 13

**CYL** | **gPV**  
**CYLINDRICAL**  
fuse links

gPV 10x85 & 10/14x85 cylindrical fuse-links from DF Electric have been developed to offer a compact, safety and economic protection of photovoltaic modules (array protection) with voltages up to 1.200/1.500 VDC.

They provide protection against overloads as well as short-circuit (gPV class according to the requirements of IEC60269-6 and UL248-19 Standards). Made with ceramic tube with high withstand to internal pressure and thermal shock, that allows a high breaking capacity in a reduced physical space. Contacts are made in silver plated copper and melting elements are made in pure silver in order to avoid the aging and thus keep unalterable the electric characteristics.

For these fuse-links we recommend the utilization of PML fuseholders.



**10x85**

**U 1500V DC**

**BREAKING CAPACITY 30kA**

**STANDARDS**

---

**U 1200V DC**

**BREAKING CAPACITY 10kA**

**NEUTRAL LINK**

$I_n$ (A)	REFERENCE	PACKING Uni /BOX
2	<b>492202</b>	10/50/1000
4	<b>492205</b>	10/50/1000
6	<b>492210</b>	10/50/1000
8	<b>492215</b>	10/50/1000
10	<b>492220</b>	10/50/1000
12	<b>492225</b>	10/50/1000
15	<b>492229</b>	10/50/1000
16	<b>492230</b>	10/50/1000
20	<b>492235</b>	10/50/1000
25	<b>492240</b>	10/50/1000
	<b>431010</b>	10/50/1000



492240

**10/14x85**

**U 1500V DC**

**BREAKING CAPACITY 10kA**

20	<b>492250</b>	10/480
25	<b>492255</b>	10/480
30	<b>492260</b>	10/480
32	<b>492262</b>	10/480



492262

**STANDARDS**

**IEC 60269-1**  
**IEC 60269-6**  
**UL 248-19**

**DIMENSIONS**

PAG 20   
PAG 21

**t-I CHARACTERISTICS**

PAG 20   
PAG 21

**AMBIENT TEMPERATURE DERATING FACTOR**

PAG 43

**COMPATIBLE PML FUSE HOLDERS**

PAG 12

**COMPATIBLE CLIP CONTACT Ø 10 FUSE-LINKS**

PAG 13

## NH | gPV NH 1000V DC fuse links

NH gPV fuse-links for photovoltaic installations from DF Electric have been developed to offer a safety protection solution in sub-array, array or inverter DC input of photovoltaic installations.

They provide protection against overloads as well as short-circuits (gPV class according to IEC 60269 and UL248-19 Standards, with a minimum fusing current of 1,35·In. Made with ceramic body with high withstand to internal pressure and thermal shock. Contacts are made in silver plated copper or brass and melting elements are made in pure silver in order to avoid the aging and thus keep unalterable the electric characteristics.

For these fuse-links we recommend the utilization of 1000 VDC NH ST fuse bases.



**NH1**

U **1000V DC**

BREAKING CAPACITY **30kA**

STANDARDS

In (A)	REFERENCE	PACKING Uni /BOX
25	<b>373210</b>	1/30
32	<b>373215</b>	1/30
40	<b>373225</b>	1/30
50	<b>373230</b>	1/30
63	<b>373235</b>	1/30
80	<b>373240</b>	1/30
100	<b>373245</b>	1/30
125	<b>373250</b>	1/30
160	<b>373255</b>	1/30
200	<b>373260</b>	1/30



373250

**NH2**

U **1000V DC**

BREAKING CAPACITY **30kA**

200	<b>373350</b>	1/15
250	<b>373360</b>	1/15



373350

**NH3**

U **1000V DC**

BREAKING CAPACITY **30kA**

STANDARDS

200	<b>373425</b>	1/15
250	<b>373435</b>	1/15
315	<b>373445</b>	1/15
355	<b>373450</b>	1/15
400	<b>373455</b>	1/15



373435

**STANDARDS**

IEC 60269-1  
IEC 60269-6  
UL 248-19

**DIMENSIONS**

PAG 22

**t-I CHARACTERISTICS**

PAG 23

**AMBIENT TEMPERATURE  
DERATING FACTOR**

PAG 43

**COMPATIBLE  
ST NH 1000V AC BASES**

PAG 14

## NH gPV NH 1000V DC fuse links

NH gPV fuse-links for photovoltaic installations from DF Electric have been developed to offer a safety protection solution in sub-array, array or inverter DC input of photovoltaic installations.

They provide protection against overloads as well as short-circuits (gPV class according to IEC 60269 and UL248-19 Standards, with a minimum fusing current of 1,35·In. Made with ceramic body with high withstand to internal pressure and thermal shock. Contacts are made in silver plated copper or brass and melting elements are made in pure silver in order to avoid the aging and thus keep unalterable the electric characteristics.

This bolted type is specially designed for applications where can be mounted directly on busbars.



### NH1 B

U **1000V DC**

BREAKING CAPACITY **30kA**

CONTACTS **BOLTED BLADE**

In (A)	REFERENCE	PACKING Uni /BOX
25	<b>373210 B</b>	1/30
32	<b>373215 B</b>	1/30
40	<b>373225 B</b>	1/30
50	<b>373230 B</b>	1/30
63	<b>373235 B</b>	1/30
80	<b>373240 B</b>	1/30
100	<b>373245 B</b>	1/30
125	<b>373250 B</b>	1/30
160	<b>373255 B</b>	1/30
200	<b>373260 B</b>	1/30



373260B

### NH2 B

U **1000V DC**

BREAKING CAPACITY **30kA**

CONTACTS **BOLTED BLADE**

200	<b>373350 B</b>	1/15
250	<b>373360 B</b>	1/15



373350B

### NH3 B

U **1000V DC**

BREAKING CAPACITY **30kA**

CONTACTS **BOLTED BLADE**

200	<b>373425 B</b>	1/15
250	<b>373435 B</b>	1/15
315	<b>373445 B</b>	1/15
355	<b>373450 B</b>	1/15
400	<b>373455 B</b>	1/15



373435B

#### STANDARDS

IEC 60269-1  
IEC 60269-6  
UL 248-19

#### DIMENSIONS

PAG 22

#### t-I CHARACTERISTICS

PAG 23

#### AMBIENT TEMPERATURE DERATING FACTOR

PAG 43

#### COMPATIBLE ST NH 1000V AC BASES

PAG 14

## NH gPV NH XL 1500V DC fuse links

NH gPV 1500V DC fuse-links for photovoltaic installations have been developed to offer a safety protection solution in sub-array, array or inverter DC input of photovoltaic installations.

They provide protection against overloads as well as short-circuits (gPV class according to IEC 60269 and UL248-19 Standards), with a minimum fusing current of 1,35·In. Made with ceramic body with high withstand to internal pressure and thermal shock. Contacts are made of silver plated copper and melting elements are made of pure silver in order to avoid the aging and thus keep unalterable the electric characteristics. They have a low poer losses values to get a good efficiency.

For these fuselinks we recommend the utilization of 1500V DC NH XL fuse bases.



U **1500V DC**  
BREAKING CAPACITY **30kA**  
STANDARDS

In (A)	REFERENCE	PACKING Uni /BOX
40	<b>372225</b>	1/18
50	<b>372230</b>	1/18
63	<b>372235</b>	1/18
80	<b>372240</b>	1/18
100	<b>372245</b>	1/18
125	<b>372250</b>	1/18
160	<b>372255</b>	1/18
200	<b>372260</b>	1/18



372235



U **1500V DC**  
BREAKING CAPACITY **30kA**  
STANDARDS

200	<b>372350</b>	1/10
250	<b>372360</b>	1/10



372360



U **1500V DC**  
BREAKING CAPACITY **30kA**

315	<b>372445</b>	1/10
350	<b>372448</b>	1/10
355	<b>372450</b>	1/10
400	<b>372455</b>	1/10



372455

### STANDARDS

IEC/EN 60269-1  
IEC/EN 60269-2

### DIMENSIONS

PAG 24

### t-I CHARACTERISTICS

PAG 25

### AMBIENT TEMPERATURE DERATING FACTOR

PAG 43

### COMPATIBLE ST NH 1500V AC BASES

PAG 15



## NH gPV NH XL 1500V DC fuse links

NH gPV 1500V DC fuse-links for photovoltaic installations have been developed to offer a safety protection solution in sub-array, array or inverter DC input of photovoltaic installations.

They provide protection against overloads as well as short-circuits (gPV class according to IEC 60269 and UL248-19 Standards), with a minimum fusing current of 1,35·In. Made with ceramic body with high withstand to internal pressure and thermal shock. Contacts are made of silver plated copper and melting elements are made of pure silver in order to avoid the aging and thus keep unalterable the electric characteristics. They have a low poer losses values to get a good efficiency.

This bolted type is specially designed for applications where can be mounted directly on busbars.



U **1500V DC**

BREAKING CAPACITY **30kA**

CONTACTS **BOLTED BLADE**

In (A)	REFERENCE	PACKING Uni /BOX
40	<b>372225 B</b>	1/18
50	<b>372230 B</b>	1/18
63	<b>372235 B</b>	1/18
80	<b>372240 B</b>	1/18
100	<b>372245 B</b>	1/18
125	<b>372250 B</b>	1/18
160	<b>372255 B</b>	1/18
200	<b>372260 B</b>	1/18



372260B



U **1500V DC**

BREAKING CAPACITY **30kA**

CONTACTS **BOLTED BLADE**

200	<b>372350 B</b>	1/10
250	<b>372360 B</b>	1/10



372360B



U **1500V DC**

BREAKING CAPACITY **30kA**

CONTACTS **BOLTED BLADE**

315	<b>372445 B</b>	1/10
350	<b>372448 B</b>	1/10
355	<b>372450 B</b>	1/10
400	<b>372455 B</b>	1/10



372455B

### STANDARDS

IEC 60269-1  
IEC 60269-6  
UL 248-19

### DIMENSIONS

PAG 24

### t-I CHARACTERISTICS

PAG 25

### AMBIENT TEMPERATURE DERATING FACTOR

PAG 43

### COMPATIBLE ST NH 1500V AC BASES

PAG 15



**gG / gL**  
**NH 800V AC**  
fuse links

These knife type (NH) fuse links with high breaking capacity are intended for protection of the output side of new generation of photovoltaic inverters, with output voltage of 800V AC. They are also adequate for the protection of 690V AC capacitor banks. They are gG class and provide protection against overloads and short-circuits with rated voltages up to 800V +10%. The rated breaking capacity is 80kA. They have a low values of power dissipations.

Manufactured with ceramic body with high withstand to internal pressure and thermal shock, that allows a high breaking capacity. Knife contacts are made of silver plated copper or brass.

Can be mounted in open-type ST fuse bases or in fuse disconnectors type BS.



**800V AC**

**BREAKING CAPACITY 80kA**

$I_n$ (A)	REFERENCE	PACKING Uni /BOX
25	<b>385210</b>	3/30
35	<b>385220</b>	3/30
40	<b>385225</b>	3/30
50	<b>385230</b>	3/30
63	<b>385235</b>	3/30



385235



**800V AC**

**BREAKING CAPACITY 80kA**

80	<b>385240</b>	3/30
100	<b>385245</b>	3/30
125	<b>385250</b>	3/30
160	<b>385255</b>	3/30



385255



**800V AC**

**BREAKING CAPACITY 80kA**

200	<b>385425</b>	3/18
250	<b>385435</b>	3/18
315	<b>385445</b>	3/18



385445

**STANDARDS**

IEC/EN 60269-1  
IEC/EN 60269-2

**DIMENSIONS**

PAG 26

**t-I CHARACTERISTICS**

PAG 27

**AMBIENT TEMPERATURE  
DERATING FACTOR**

PAG 43

**COMPATIBLE  
ST NH 800V AC BASES**

PAG 16

## PMX CYLINDRICAL fuse holders

**PATENTED  
DESIGN**

The first feature that PV Modular fuse holders offers, is the 1000V DC rated voltages. They have been developed to offer a compact, safety and economic protection solution in photovoltaic installations where due to the increase of the power and technologic evolution, no-load voltages above 800V DC can be achieved.

Modular fuse holders for 10x38 & 14x51 gPV fuses according IEC/EN 60269 standard. Compact design, with reduced distances. Manufactured with a high quality materials: Silver plated copper contacts and plastic materials with high temperature resistance and selfextinguishable.

All the materials are according to the European Directive RoHS (Restriction of the use of certain hazardous substances in electrical material).



10x38

U **1000V DC**

In **32A**

STANDARDS

INDICATOR	POLES	MODULES	REFERENCE	PACKING Uni /BOX
NO	SINGLE-POLE	1	<b>485150</b>	12/192
NO	TWO-POLES	2	<b>485151</b>	6/96
YES	SINGLE-POLE	1	<b>485152</b>	12/192
YES	TWO-POLES	2	<b>485153</b>	6/96



485152

14x51

U **1100V DC**

In **50A**

NO	SINGLE-POLE	1	<b>485250</b>	6/90
NO	TWO-POLES	2	<b>485251</b>	3/45
YES	SINGLE-POLE	1	<b>485252</b>	6/90
YES	TWO-POLES	2	<b>485253</b>	3/45



485252

### STANDARDS

IEC/EN 60269-1 UL 4248-1  
IEC/EN 60269-2 UL 4248-19  
CSA 4248-19

### DIMENSIONS

PAG 28   
PAG 29

### ACCESSORIES

PAG 30  
PAG 31

### COMPATIBLE gPV CYL FUSE LINKS

PAG 04

**PML**  
CYLINDRICAL  
fuse holders

**PATENTED  
DESIGN**

Fuse holder for cylindrical fuse link size 10x85 gVP and 10/14x85 gPV.

- Modern compact design.
- Ventilation zones optimized for a better heat dissipation.
- Manufactured with a high quality materials.
- Silver plated copper contacts.
- Plastic materials with high temperature resistance and self-extinguishable.
- All the materials are according to the European Directive RoHS (Restriction of the use of certain hazardous substances in electrical material) and also halogen free.



10x85 10/14x85

---

U **1500V DC**

---

In **32A**

---

STANDARDS

POLES	MODULES (mm)	REFERENCE	PACKING Uni /BOX
SINGLE-POLE	24	<b>485701</b>	6/84



**PML**  
10x85  
10/14x85  
1500V DC  
welcome  
to the future



**10x85** position



**10/14x85** position

**STANDARDS**

IEC/EN 60269-1 UL 4248-1  
IEC/EN 60269-2 UL 4248-19

**DIMENSIONS**

PAG 32

**ACCESSORIES**

PAG 33

**COMPATIBLE  
gPV CYL FUSE LINKS**

PAG 05



## CLIP CONTACT CYLINDRICAL Ø10 fuse links

Clip contact for Ø10 cylindrical fuse links.  
Screw fixation and PCB versions. Manufactured in tinned bronze.  
All the materials are according to the European Directive RoHS (Restriction of the use of certain hazardous substances in electrical material).



FIXATION **SCREW**

U UP TO **1500V AC/DC**

In **25A**

**Pd max**  
(W)

4

**REFERENCE**

**482001**

**PACKING**

Uni /BOX

50/200



FIXATION **PCB**

U UP TO **1500V AC/DC**

In **25A**

4

**482002**

50/200



**DIMENSIONS**

PAG 34

**COMPATIBLE  
gPV CYL FUSE LINKS**

PAG 04 | 05

## ST NH 1000V DC bases

Fuse bases for NH fuse-links. Manufactured with a high quality materials. Silver plated copper contacts. Plastic materials with high temperature resistance and self-extinguishable. All the materials are according to the European Directive RoHS. For screw fixing. Single-phase type. Connection by screws.

Contacts with double spring in order to obtain an optimum operation. Wide range of accessories that enables IP20 protection index: contact covers, fuse link covers and partition walls. Multi-pole units can be made with connection accessories.


Manufactured according IEC, VDE and DIN standards. UL certification (File E359201).



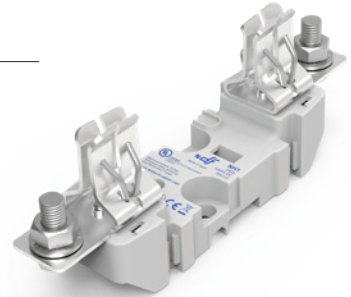
**NH1**

U **1000V DC**

IN **250A**

STANDARDS 


POLES	FIXING	CONNECTION	REFERENCE	PACKING
SINGLE-POLE	DIN RAIL/SCREW	SCREW	<b>354172</b> 	1 Uni /BOX



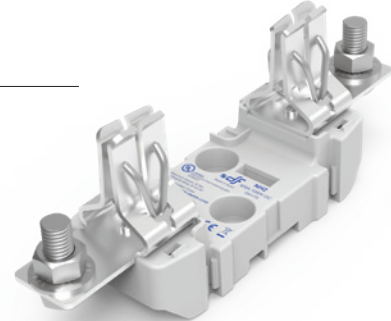
**NH2**

U **1000V DC**

IN **400A**

STANDARDS 


SINGLE-POLE	DIN RAIL/SCREW	SCREW	<b>354175</b> 	1
-------------	----------------	-------	--	---



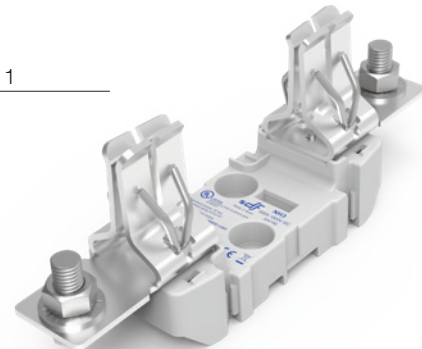
**NH3**

U **1000V DC**

IN **500A**

STANDARDS 

SINGLE-POLE	DIN RAIL/SCREW	SCREW	<b>354180</b> 	1
-------------	----------------	-------	--	---



### STANDARDS

IEC/EN 60269-1 UL 4248-1  
IEC/EN 60269-2 UL 4248-19  
IEC/EN 60269-6

### DIMENSIONS

PAG 35

### ACCESSORIES

PAG 17

### ACCESSORIES ASSEMBLY

PAG 38

### COMPATIBLE gPV NH 1000V DC FUSE LINKS

PAG 06



## ST NH XL 1500V DC fuse bases

Fuse bases for NH fuse-links. Manufactured with a high quality materials. Silver plated copper contacts. Plastic materials with high temperature resistance and self-extinguishable. All the materials are according to the European Directive RoHS. For screw fixing. Single-phase type. Connection by screws.


Contacts with double spring in order to obtain an optimum operation. Wide range of accessories that enables IP20 protection index: contact covers, fuse link covers and partition walls. Multi-pole units can be made with connection accessories.

Manufactured according IEC, VDE and DIN standards. UL certification (File E359201).

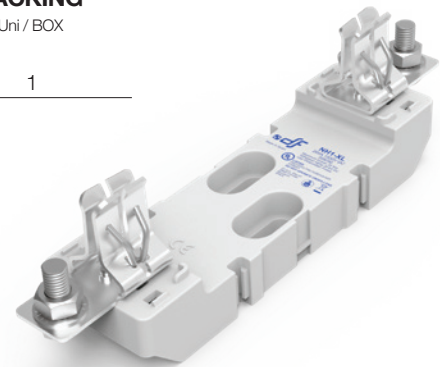


U **1500V DC**

In **200A**

STANDARDS 

POLES	FIXING	CONNECTION	REFERENCE	PACKING Uni / BOX
SINGLE-POLE	SCREW	SCREW	<b>358250</b> 	1

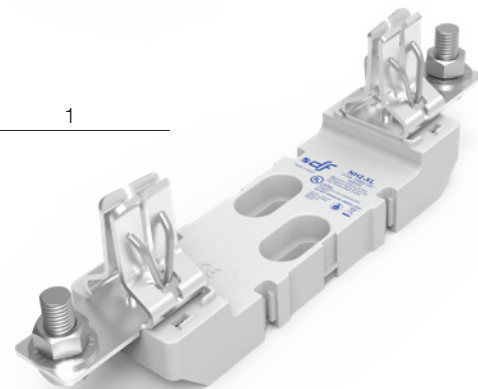


U **1500V DC**

In **315A**

STANDARDS 

SINGLE-POLE	SCREW	SCREW	<b>358400</b> 	1
-------------	-------	-------	--	---

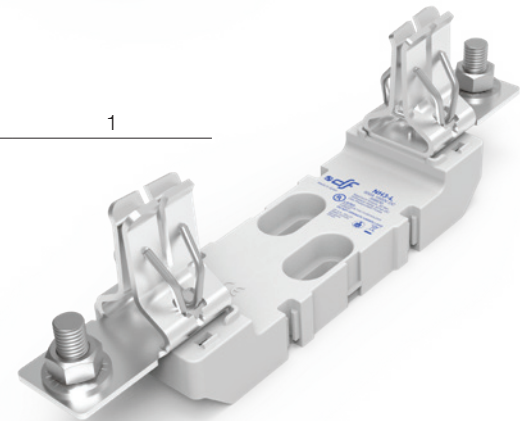


U **1500V DC**

In **500A**

STANDARDS 

SINGLE-POLE	SCREW	SCREW	<b>358630</b> 	1
-------------	-------	-------	--	---



### STANDARDS

IEC/EN 60269-1 UL 4248-1  
IEC/EN 60269-2 UL 4248-19  
IEC/EN 60269-6

### DIMENSIONS

PAG 36

### ACCESSORIES

PAG 17

### ACCESSORIES ASSEMBLY

PAG 39

### COMPATIBLE gPV XL NH 1500V DC FUSE LINKS

PAG 08



## ST NH 800V AC fuse bases

Fuse bases for NH fuse-links. Manufactured with a high quality materials. Silver plated copper contacts. Plastic materials with high temperature resistance and self-extinguishable. All the materials are according to the European Directive RoHS. For mounting on DIN/EN rail or with screw fixing. Single-phase or three-pole type. Connection by screws.

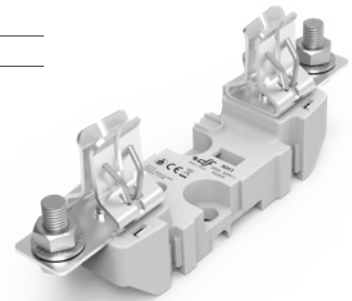
Contacts with double spring in order to obtain an optimum operation. Wide range of accessories that enables IP20 protection index: contact covers, fuse link covers and partition walls. Multi-pole units can be made with connection accessories.

Manufactured according IEC, EN and DIN standards.



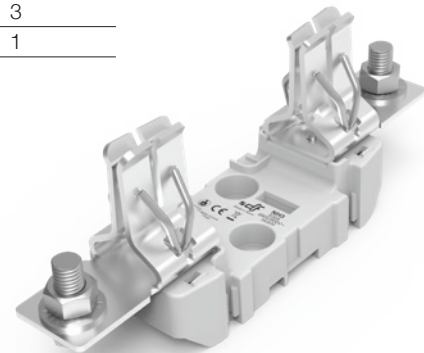
U **800V AC**  
In **200A**

POLES	FIXING	CONNECTION	REFERENCE	PACKING Uni / BOX
SINGLE-POLE	DIN RAIL / SCREW	SCREW	<b>352200</b>	3
THREE-POLE	DIN RAIL / SCREW	SCREW	<b>353200</b>	1



U **800V AC**  
In **630A**

SINGLE-POLE	DIN RAIL / SCREW	SCREW	<b>352630</b>	3
THREE-POLE	DIN RAIL / SCREW	SCREW	<b>353630</b>	1



#### STANDARDS

IEC/EN 60269-1  
IEC/EN 60269-2  
DIN 43620

#### DIMENSIONS

PAG 37

#### ACCESSORIES

PAG 17

#### ACCESSORIES ASSEMBLY

PAG 40

#### COMPATIBLE gG/GL NH 800V AC FUSE LINKS

PAG 10

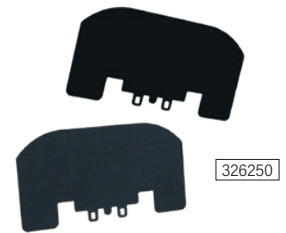


## ST NH ACCESSORIES fuse bases

ST

### PARTITION WALLS SNAP FIXATION

SIZE	REFERENCE	PACKING Uni / BOX
NH1 (OVER SEPARATOR)	<b>326200</b>	2
NH1 (DIRECTLY TO BODY)	<b>326201</b>	2
NH2	<b>326250</b>	2
NH3	<b>326630</b>	2
NH1XL	<b>326255</b>	2
NH2XL	<b>326405</b>	2
NH3L	<b>326635</b>	2



326250

### SEPARATORS FOR MULTIPOLE UNITS

NH1 / NH1XL - NH2 / NH2XL	<b>325250</b>	2
NH3 - NH3L	<b>325630</b>	2



325250

### TERMINAL COVERS

NH1	<b>325005</b>	6
NH1XL	<b>325002</b>	6
NH2 / NH2XL	<b>325003</b>	6
NH3 / NH3L	<b>325007</b>	6



325005

### FUSE LINKS COVERS ONLY FOR 800V AC/1000V DC

NH1	<b>325018</b>	3
NH2	<b>325020</b>	3
NH3	<b>325025</b>	3



325020

### MICROSWITCHES

NH000...NH3 NH1XL - NH2XL - NH3L	<b>357010</b>	1/12
-------------------------------------	---------------	------



### FUSE PULLERS

DIMENSIONS | INSTRUCTIONS  
PAG 41 | PAG 42

NH00...NH4	<b>340001</b>	1
NH1XL - NH2XL - NH3L	<b>340005</b>	1

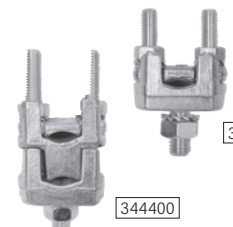


340001

340005

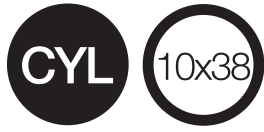
### TERMINALS

SIZE	CROSS SECTION (mm <sup>2</sup> )	CABLE	REFERENCE	PACKING Uni / BOX
1	150/16	1 CABLE	<b>343400</b>	3
2/3	240/50	1 CABLE	<b>343630</b>	3
1	150/25-16	2 CABLES	<b>344400</b>	3
2/3	240/95-50	2 CABLES	<b>344630</b>	3



343400

344400

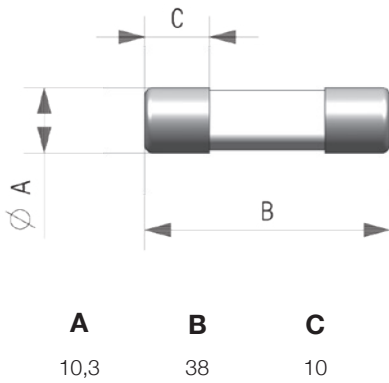


**gPV**  
CYLINDRICAL  
fuse links

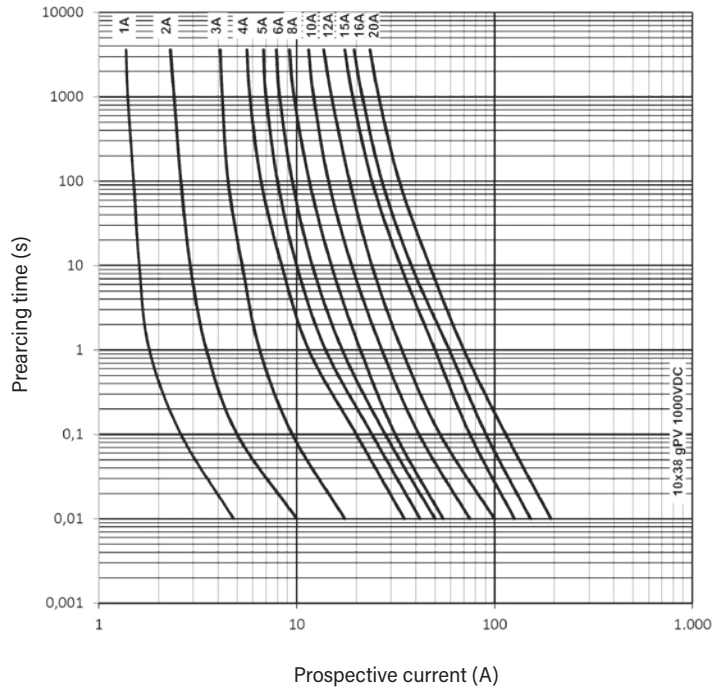
**RATED VOLTAGE** 1000V DC  
**RATED CURRENT** 1A...20A  
**BREAKING CAPACITY** 30kA



## DIMENSIONS



## t-I CHARACTERISTICS



## POWER DISSIPATION

RATED CURRENT (A)	REFERENCE	POWER DISSIPATION (W @ 0,7 In)	POWER DISSIPATION (W @ In)	PREARcing I <sup>2</sup> t (A <sup>2</sup> s)	OPERATING I <sup>2</sup> t (A <sup>2</sup> s)
1	<b>491601</b>	0,31	0,76	0,35	1,30
2	<b>491602</b>	0,78	1,45	0,62	1,00
3	<b>491604</b>	0,66	1,66	1,90	3,10
4	<b>491605</b>	0,64	1,57	6,90	11
5	<b>491606</b>	0,60	1,65	14	22
6	<b>491610</b>	0,77	1,84	24	38
8	<b>491615</b>	0,82	2,00	7	17
10	<b>491620</b>	0,94	2,20	15	38
12	<b>491625</b>	0,98	2,40	27	68
15	<b>491629</b>	1,05	2,65	62	115
16	<b>491630</b>	1,10	2,70	89	165
20	<b>491635</b>	1,33	3,20	158	294

CYL

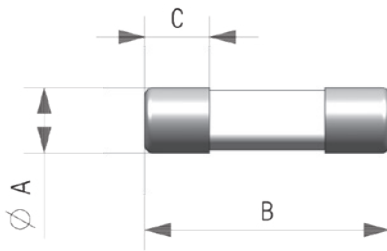
14x51

**gPV**  
CYLINDRICAL  
fuse links

RATED VOLTAGE	RATED CURRENT	BREAKING CAPACITY
1100V DC	15A   20A	10kA
1000V DC	25A   32A	30kA

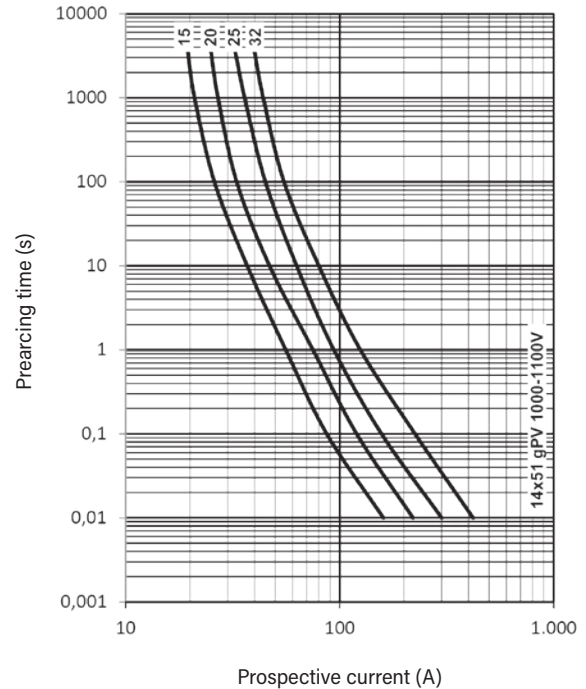


## DIMENSIONS



A	B	C
14,3	51	13

## t-I CHARACTERISTICS



## POWER DISSIPATION

	RATED CURRENT (A)	REFERENCE	POWER DISSIPATION (W @ 0,7 I <sub>n</sub> )	POWER DISSIPATION (W @ I <sub>n</sub> )	PREARcing I <sup>2</sup> t (A <sup>2</sup> s)	OPERATING I <sup>2</sup> t (A <sup>2</sup> s)	
U	1100V DC	15	<b>491647</b>	1,34	3,14	48	112
		20	<b>491648</b>	1,55	3,68	99	367
U	1000V DC	25	<b>491650</b>	1,60	3,80	275	650
		32	<b>491655</b>	2,00	4,70	550	1300

**CYL**

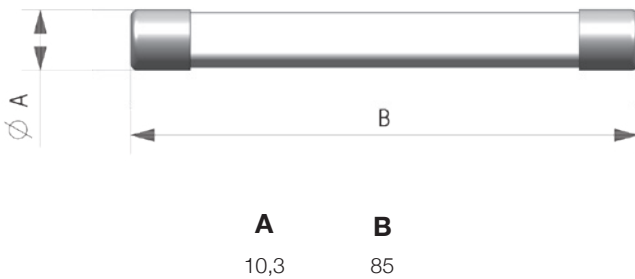
10x85

**gPV**  
CYLINDRICAL  
fuse links

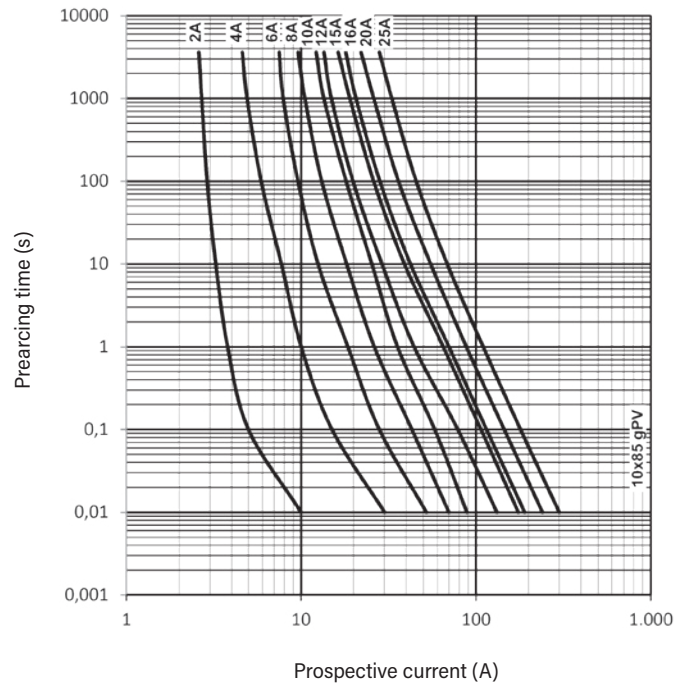
RATED VOLTAGE	RATED CURRENT	BREAKING CAPACITY
1500V DC	2A...16A	30kA
1200V DC	20A   25A	10kA



## DIMENSIONS



## t-I CHARACTERISTICS



## POWER DISSIPATION

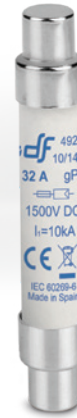
	RATED VOLTAGE (U)	RATED CURRENT	REFERENCE	POWER DISSIPATION	POWER DISSIPATION	PREARcing I <sup>2</sup> t	OPERATING I <sup>2</sup> t		
		(A)		(W @ 0,7 I <sub>n</sub> )	(W @ I <sub>n</sub> )	(A <sup>2</sup> s)	(A <sup>2</sup> s)		
U	1500V DC	2	<b>492202</b>	1,28	3,2	0,8	1,1		
		4	<b>492205</b>	1,16	2,9	13	17		
		6	<b>492210</b>	1,04	2,6	65	84		
		8	<b>492215</b>	1,13	2,8	175	225		
		10	<b>492220</b>	1,36	3,4	44	72		
		12	<b>492225</b>	1,56	3,9	78	129		
		15	<b>492229</b>	1,79	4,5	121	201		
		16	<b>492230</b>	1,92	4,8	175	290		
		U	1200V DC	20	<b>492235</b>	2,04	5,1	242	478
				25	<b>492240</b>	2,20	5,5	545	1075

**CYL**

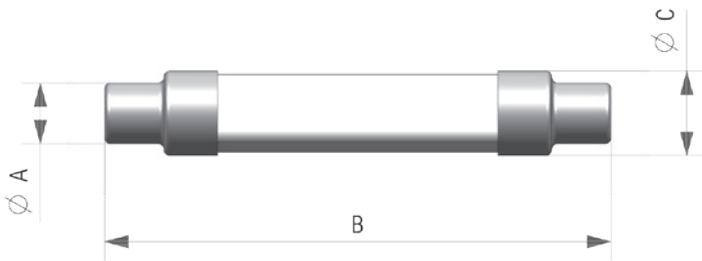
10/14x85

**gPV**  
**CYLINDRICAL**  
fuse links

RATED VOLTAGE	RATED CURRENT	BREAKING CAPACITY
1500V DC	20A...32A	10kA

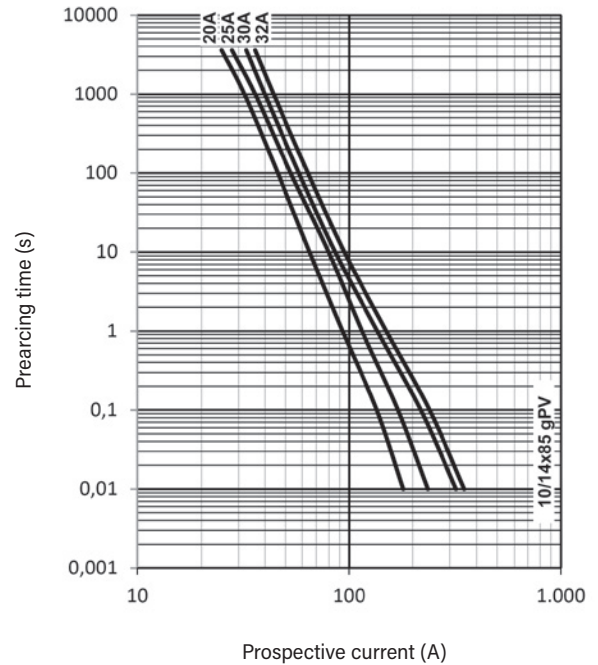


## DIMENSIONS



A	B	C
10,3	85	14,3

## t-I CHARACTERISTICS



## POWER DISSIPATION

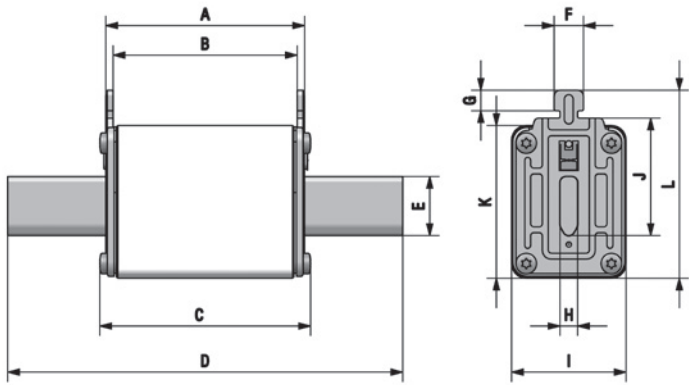
RATED CURRENT (A)	REFERENCE	POWER DISSIPATION (W @ 0,7 I <sub>n</sub> )	POWER DISSIPATION (W @ I <sub>n</sub> )	PREARCIING I <sup>2</sup> t (A <sup>2</sup> s)	OPERATING I <sup>2</sup> t (A <sup>2</sup> s)
20	<b>492250</b>	2,17	5,44	67	221
25	<b>492255</b>	2,46	6,22	136	452
30	<b>492260</b>	2,66	6,70	220	730
32	<b>492262</b>	3,00	8,00	267	885



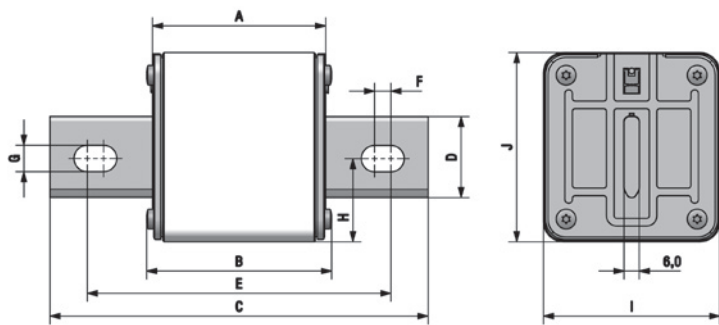
**gPV**  
NH 1000V DC  
fuse links

**RATED VOLTAGE** 1000V DC  
**RATED CURRENT** 25A...400A  
**BREAKING CAPACITY** 30kA

## DIMENSIONS



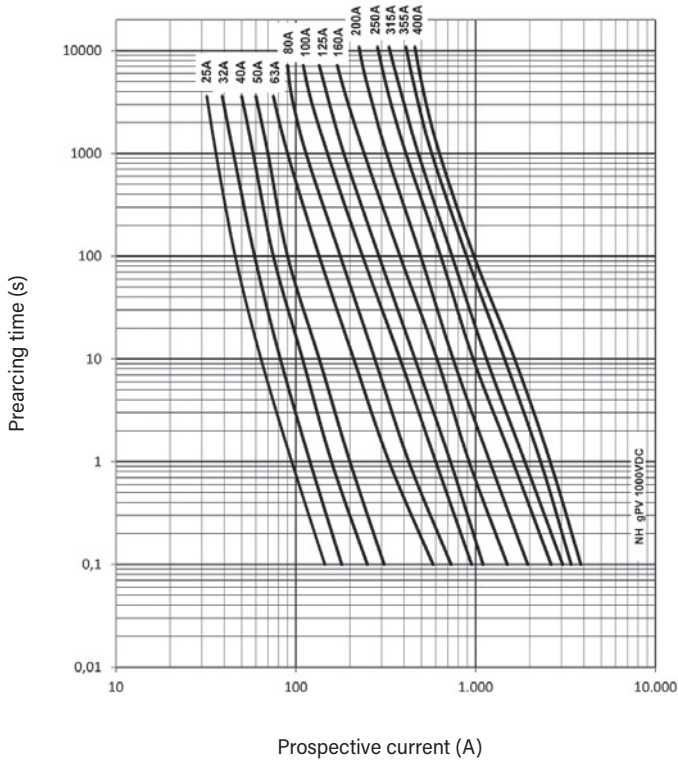
	A	B	C	D	E	F	G	H	I	J	K	L
<b>NH1</b>	68	62	71,5	135	20	10	9,5	6	39	40	52	64
<b>NH2</b>	68	62	71,5	150	25	10	9,5	6	53	48	60	72
<b>NH3</b>	68	62	73	150	32	10	9,5	6	70	60	75	87






	A	B	C	D	E	F	G	H	I	J
<b>NH1</b>	68	71,5	135	20	113	9	8,5	25,6	39	52,5
<b>NH2</b>	68	71,5	150	25	118	9	10,5	27	53	60,5
<b>NH3</b>	68	73	150	32	120	6,5	10,5	33	70	75

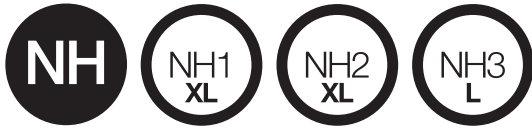


## t-I CHARACTERISTICS



## POWER DISSIPATION

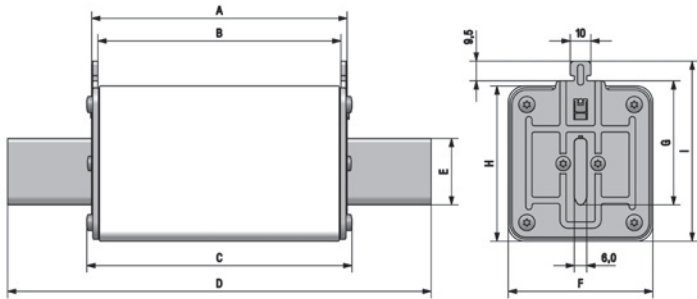
	RATED CURRENT (A)	REFERENCE	POWER DISSIPATION (W @ 0,7 In)	POWER DISSIPATION (W @ In)	PREARcing I <sup>2</sup> t (A <sup>2</sup> s)	OPERATING I <sup>2</sup> t (A <sup>2</sup> s)
	25	<b>373210 373210 B</b>	5,2	12,5	62	94
	32	<b>373215 373215 B</b>	6,3	15,5	122	184
	40	<b>373225 373225 B</b>	6,7	16,6	302	454
	50	<b>373230 373230 B</b>	7,5	18	562	844
	63	<b>373235 373235 B</b>	8,2	20	1.210	1.815
	80	<b>373240 373240 B</b>	10	27	2.250	3.375
	100	<b>373245 373245 B</b>	11	28	4.000	6.000
	125	<b>373250 373250 B</b>	12,5	32	6.500	9.700
	160	<b>373255 373255 B</b>	13,5	34,0	9.200	16.600
200	<b>373260 373260 B</b>	12,5	30,0	19.900	38.300	
	200	<b>373350 373350 B</b>	11,4	28,0	18.700	36.400
	250	<b>373360 373360 B</b>	13,0	33,3	36.800	71.500
	200	<b>373425 373425 B</b>	19,5	48,0	21.700	31.700
	250	<b>373435 373435 B</b>	20,5	51,5	41.000	60.000
	315	<b>373445 373445 B</b>	26,2	66,0	76.000	111.500
	355	<b>373450 373450 B</b>	18,0	46,5	74.700	130.700
	400	<b>373455 373455 B</b>	20,0	51,0	104.400	182.600



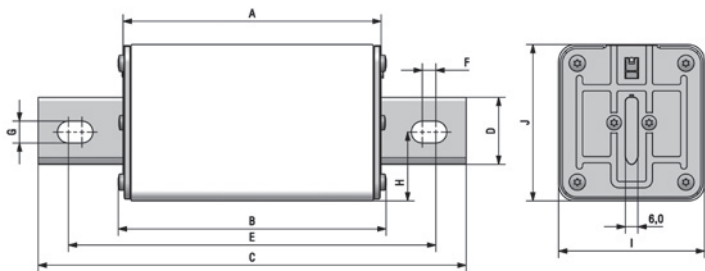
**gPV**  
NH XL 1500V DC  
fuse links

**RATED VOLTAGE** 1500V DC  
**RATED CURRENT** 40A...400A  
**BREAKING CAPACITY** 30kA

## DIMENSIONS



	A	B	C	D	E	F	G	H	I
<b>NH1XL</b>	126	120	129	191	20	39	40	52,5	64,5
<b>NH2XL</b>	122,6	117,6	126,7	205	25	53	48	60,5	72
<b>NH3L</b>	123,6	117,6	128,3	205	32	70	60	75	87

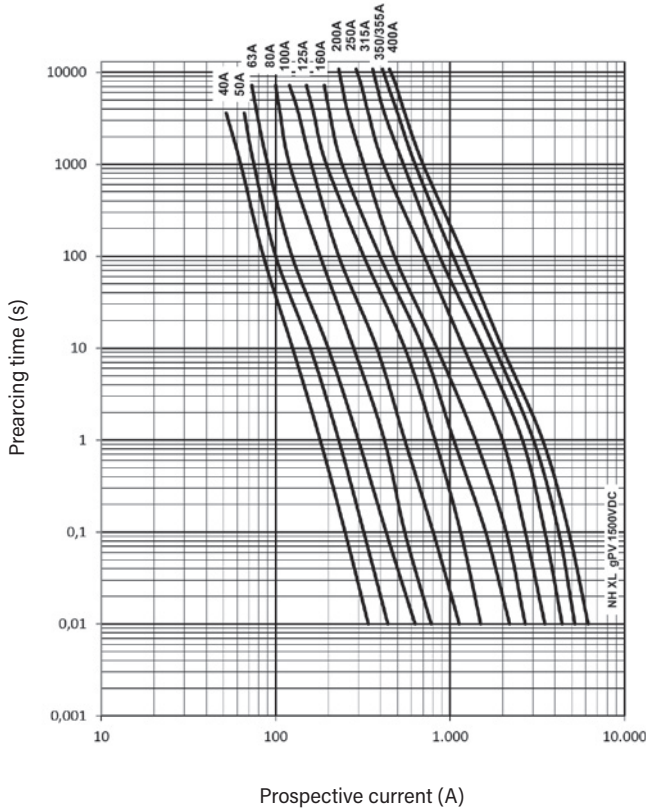


	A	B	C	D	E	F	G	H	I	J
<b>NH1XL B</b>	126	129	191	20	170,5	9	8,5	25,6	39	52,5
<b>NH2XL B</b>	122,6	126,7	205	25	173	9	10,5	27	53	60,5
<b>NH3L B</b>	123,6	128,3	205	32	176	6,5	10,5	33	70	75








## t-I CHARACTERISTICS



## POWER DISSIPATION

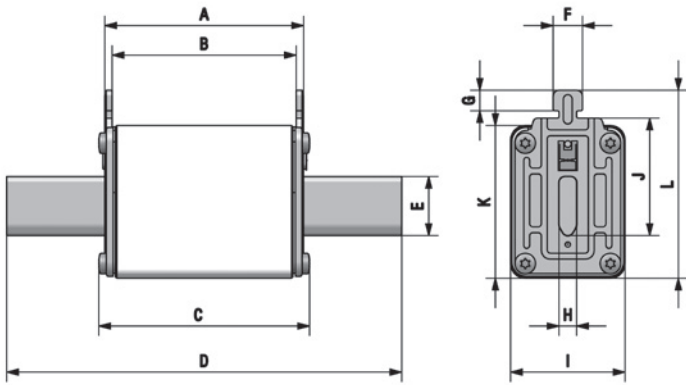
	RATED CURRENT	REFERENCE		POWER DISSIPATION	POWER DISSIPATION	PREARcing I <sup>2</sup> t	OPERATING I <sup>2</sup> t
	(A)			(W @ 0,7 In)	(W @ 1in)	(A <sup>2</sup> s)	(A <sup>2</sup> s)
	40	<b>372225</b>	<b>372225 B</b>	6,3	15	260	490
	50	<b>372230</b>	<b>372230 B</b>	7,2	18	560	1.170
	63	<b>372235</b>	<b>372235 B</b>	7,6	19	1.160	2.460
	80	<b>372240</b>	<b>372240 B</b>	10	25	1.760	3.720
	100	<b>372245</b>	<b>372245 B</b>	10,4	26	3.970	8.380
	125	<b>372250</b>	<b>372250 B</b>	12	30	7.070	14.900
	160	<b>372255</b>	<b>372255 B</b>	15	38	13.360	28.180
	200	<b>372260</b>	<b>372260 B</b>	19	47	24.850	52.400
	200	<b>372350</b>	<b>372350 B</b>	18	45	24.850	52.360
	250	<b>372360</b>	<b>372260 B</b>	21	52	42.000	88.500
	315	<b>372445</b>	<b>372445 B</b>	25	61	114.000	172.080
	350	<b>372448</b>	<b>372448 B</b>	26	66	159.230	240.350
	355	<b>372450</b>	<b>372450 B</b>	27	68	159.230	240.350
	400	<b>372455</b>	<b>372455 B</b>	30	75	212.000	320.000



**gG / gL**  
**NH 800V AC**  
 fuse links

RATED VOLTAGE	RATED CURRENT	BREAKING CAPACITY
800V AC	25A...315A	80kA

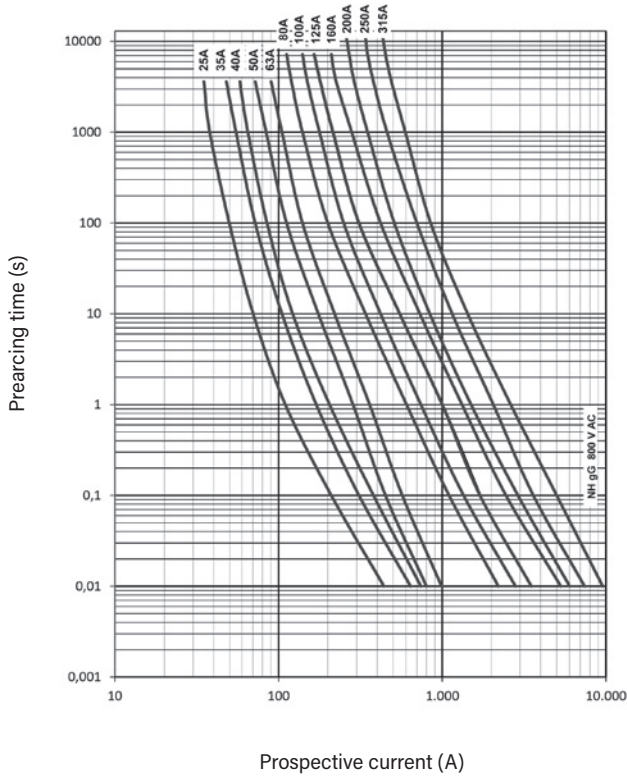
## DIMENSIONS






	A	B	C	D	E	F	G	H	I	J	K	L
<b>NHC1</b>	68	62	70,5	135	15	10	9,5	6	29	40	47	64
<b>NH1</b>	68	62	71,5	135	20	10	9,5	6	39	40	52	64
<b>NH3</b>	68	62	73	150	32	10	9,5	6	70	60	75	87



## t-I CHARACTERISTICS



## POWER DISSIPATION

	RATED CURRENT (A)	REFERENCE	POWER DISSIPATION (W)	PREARcing I <sup>2</sup> t (A <sup>2</sup> s)	OPERATING I <sup>2</sup> t (A <sup>2</sup> s 800V ~)
	25	<b>385210</b>	4,1	1.150	2.770
	35	<b>385220</b>	4,8	2.780	6.700
	40	<b>385225</b>	5,0	4.600	11.080
	50	<b>385230</b>	5,3	4.680	11.300
	63	<b>385235</b>	6,1	9.400	22.670
	80	<b>385240</b>	10,0	16.550	33.855
	100	<b>385245</b>	12,0	32.430	66.355
	125	<b>385250</b>	14,0	59.730	122.215
	160	<b>385255</b>	18,0	95.300	195.000
	200	<b>385425</b>	21,0	140.150	245.000
	250	<b>385435</b>	25,0	241.500	422.000
	315	<b>385445</b>	34,5	395.000	698.000

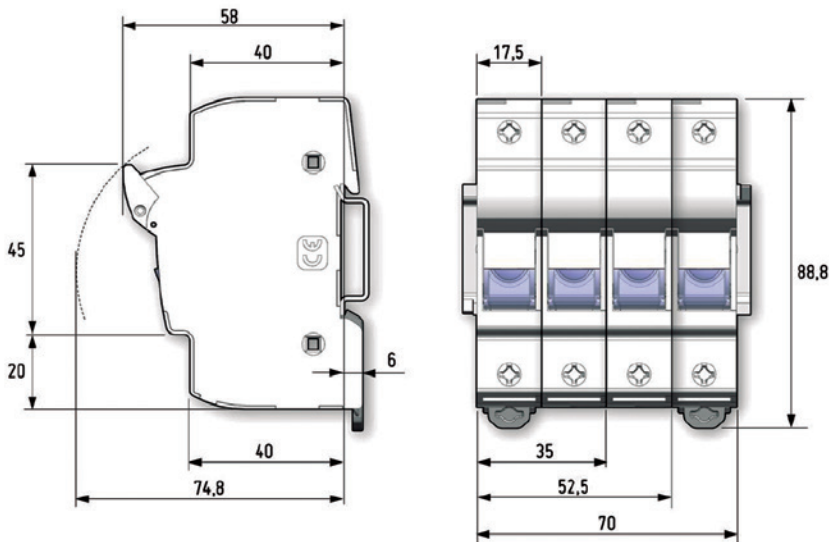


## PMX CYLINDRICAL fuse holders

RATED VOLTAGE	RATED CURRENT	PROTECTION INDEX
1000V DC	32A	IP20
690V AC		



## DIMENSIONS



## ACCESSORIES

REFERENCE	DESCRIPTION	PACKING
		Uni /BOX
<b>480005</b>	PINS FOR MULTIPOLE ASSEMBLY	12
<b>485050</b>	HANDLE TIES FOR MULTIPOLE ASSEMBLY	12
<b>485051</b>	LOCK SUPPORT	5
<b>485052</b>	SPECIAL IP20 PROTECTION ACCESSORY	24
<b>485053</b>	PHASE SEPARATOR ACCESSORY	12
<b>485656</b>	SCREWS PROTECTION ACCESSORY	20

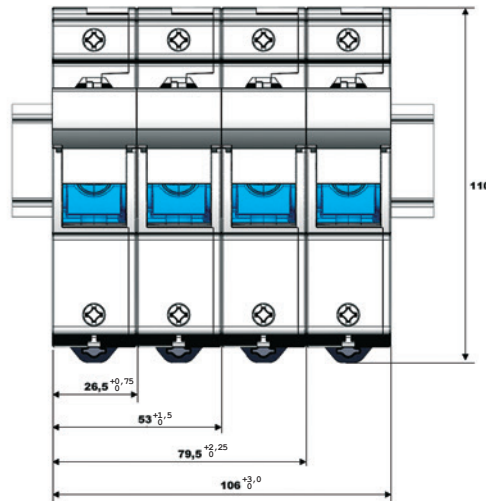
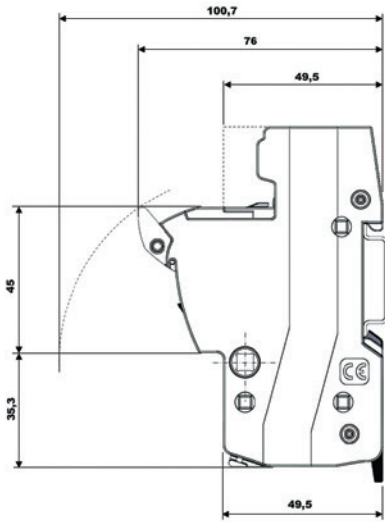


## PMX CYLINDRICAL fuse holders

RATED VOLTAGE	RATED CURRENT	PROTECTION INDEX
1000V DC	50A	IP20
690V AC		



## DIMENSIONS



## ACCESSORIES

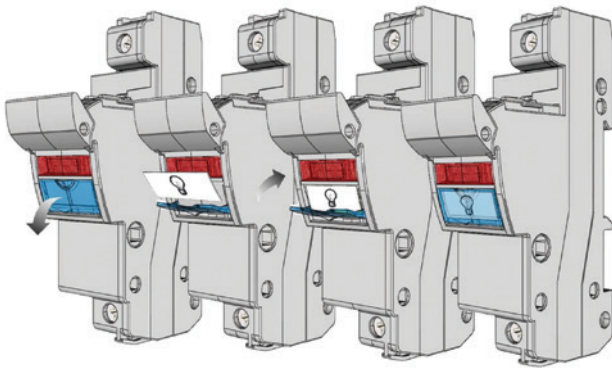
REFERENCE	DESCRIPTION	PACKING
		Uni /BOX
480005	PINS FOR MULTIPOLE ASSEMBLY	12
485356	HANDLE TIES FOR MULTIPOLE ASSEMBLY	12
485258	LOCK SUPPORT	5
485266	SPECIAL IP20 PROTECTION ACCESSORY	12
485656	SCREWS PROTECTION ACCESSORY	12
485271	SPECIAL ACCESSORY SCREW CONNECTION	12



**PMX**  
CYLINDRICAL  
fuse holders

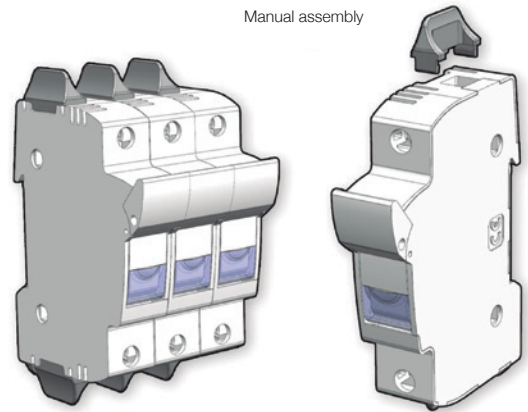
## ACCESSORIES

### IDENTIFICATION BY LABEL



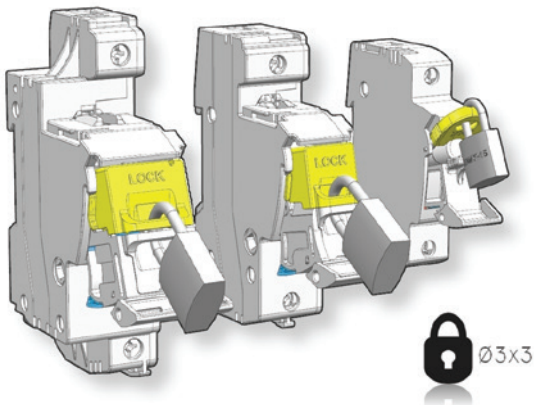
Open the label-holder part when the fuse holder is totally closed or totally open, put on the label and close.

### PHASE SEPARATOR

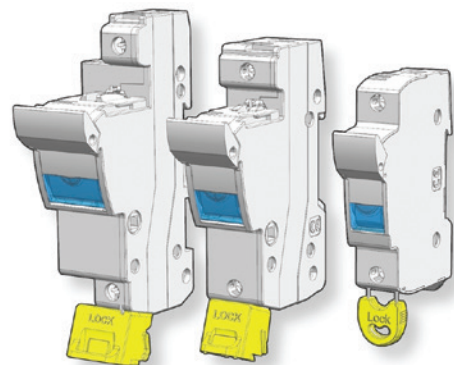


The accessory increases the distance between phases in multipolar assemblies.

### LOCKING MEANS A PADLOCK

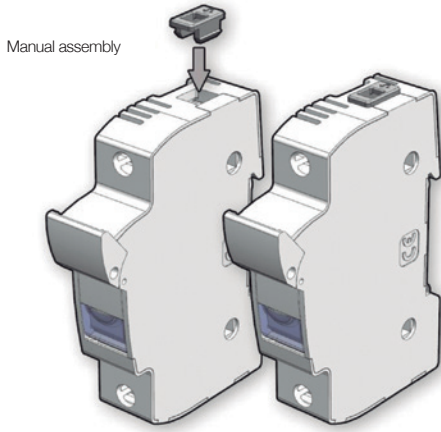


To avoid the operation and connection when the fuse holder is open, put on the accessory "Padlock support" sliding it for the guides, and covering the fuse link zone.



Introduce the padlock trough the symmetrical holes and close it.  
*(Is possible the use with or without fuse link)*

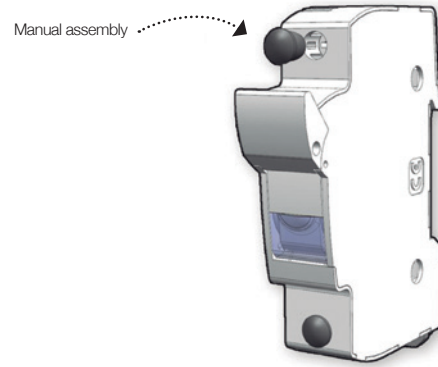
## SPECIAL IP20 PROTECTION



The accessory must be positioned in the wire entries, if it's necessary to achieve the IP20 degree of protection with thin wires.

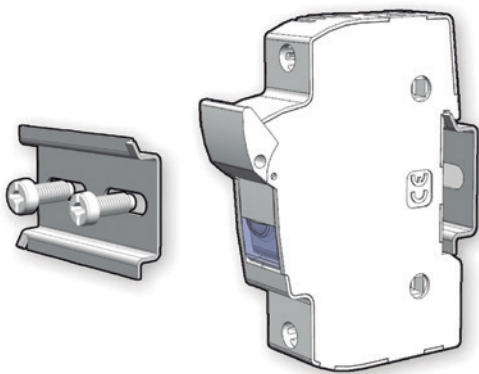
	SECTION FLEXIBLE WIRE (mm <sup>2</sup> )	SECTION SOLID WIRE (mm <sup>2</sup> )	LENGTH (mm)
<b>8x32</b>	≤6	≤10	10
<b>10x38</b>	≤6	≤10	10
<b>14x51</b>	≤10	≤16	14
<b>22x58</b>	≤16	≤25	18

## SCREW PROTECTION



Protection accessory to avoid the screws manipulation and improve the protection degree.

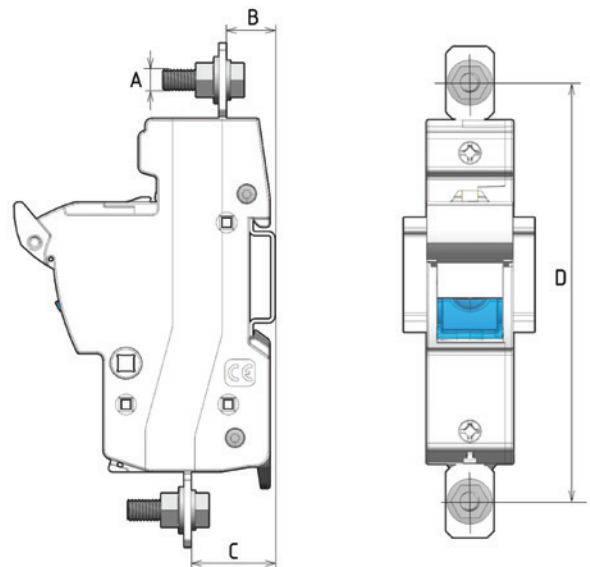
## SCREW FIXATION



First mount the accessory with screws, then mount the fuseholder. (there are available different accessories depending the number of the fuseholder)

REFERENCE	SIZE (mm)
<b>485650</b>	25
<b>485651</b>	50
<b>485652</b>	75
<b>485653</b>	100
<b>485654</b>	125
<b>485655</b>	175

## ACCESSORY SCREW CONNECTION



REFERENCE	A (mm)	B (mm)	C (mm)	D (mm)
<b>485271</b>	M6	14,5	25	128,5



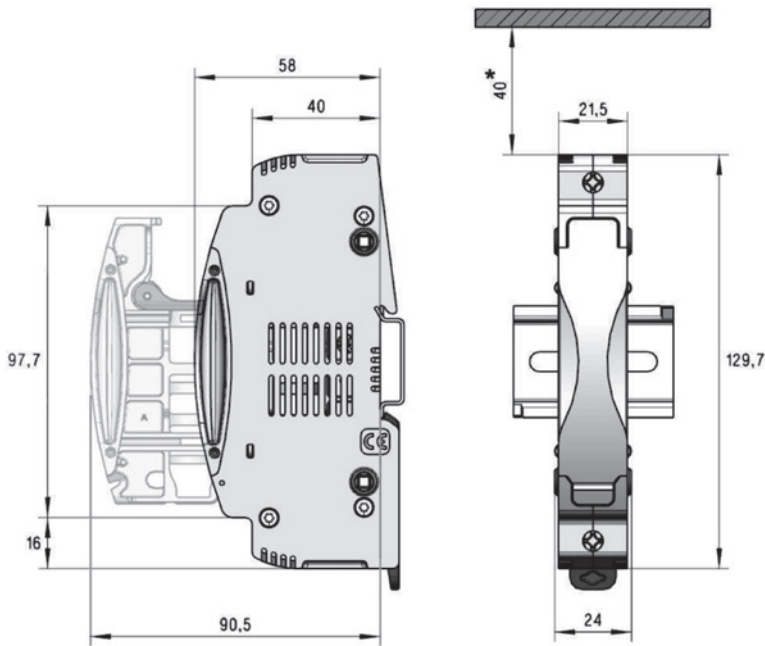
## PML CYLINDRICAL fuse holders

RATED VOLTAGE	RATED CURRENT	PROTECTION INDEX
1000V DC	32A	IP20
1500V DC		



**PATENTED  
DESIGN**

## DIMENSIONS



\* Recommended minimum mounting free space



**10x85 position**



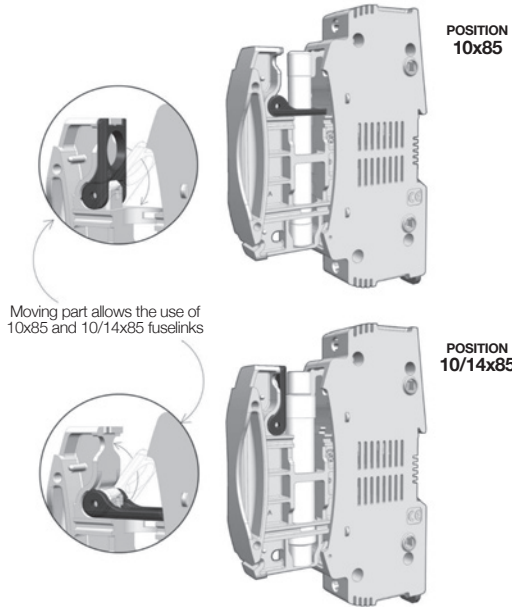
**10/14x85 position**

## ACCESSORIES

REFERENCE	DESCRIPTION	PACKING
		Uni/BOX
<b>480005</b>	PINS FOR MULTIPOLE ASSEMBLY	12
<b>485050</b>	HANDLE TIES FOR MULTIPOLE ASSEMBLY	12
<b>485051</b>	LOCK ACCESSORY	5
<b>485052</b>	SPECIAL IP20 PROTECTION ACCESSORY	24
<b>485053</b>	PHASE SEPARATOR ACCESSORY	12
<b>485656</b>	SCREWS PROTECTION ACCESSORY	20



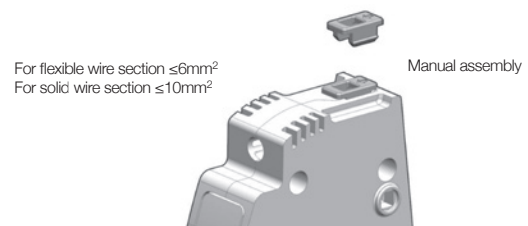
## FUSE-LINK SIZE SELECTOR



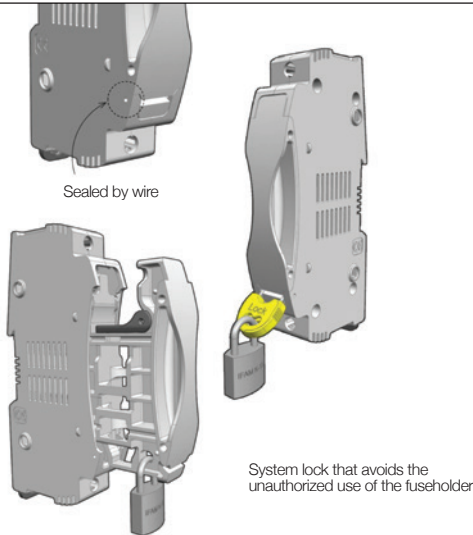
## FREE SPACE FOR LABELING



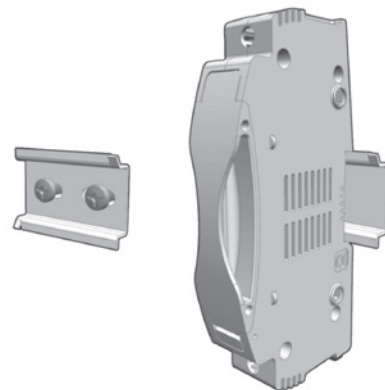
## SPECIAL IP20 PROTECTION



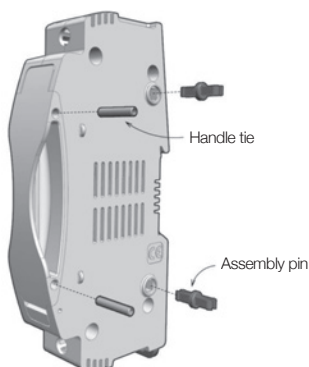
## LOCK SYSTEM



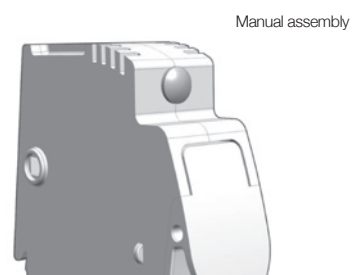
## SCREW FIXATION ACCESSORY



## MULTIPOLAR ASSEMBLY



## SCREW PROTECTION ACCESSORY



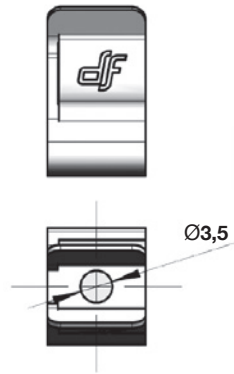
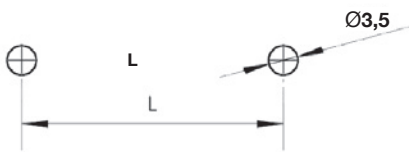


## CLIP CONTACT CYLINDRICAL Ø10 fuse links

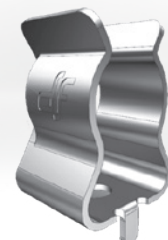
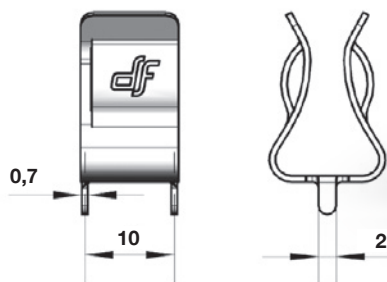
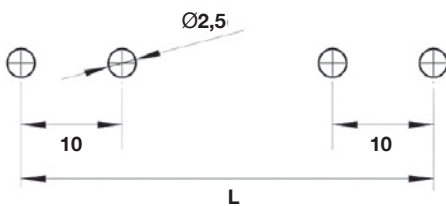
	RATED VOLTAGE	RATED CURRENT	RATED POWER DISSIPATION
UP TO	1000V DC	25A	4W
	1500V DC		

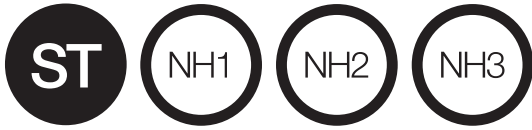
### DIMENSIONS

	L (mm)
10x38	32
10x85	79,6



	L (mm)
10x38	42
10x85	89,6



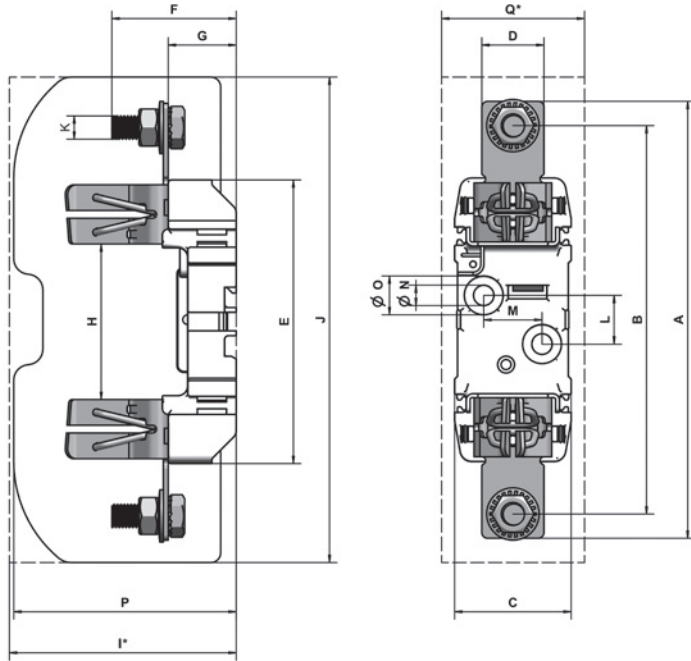


## ST NH 1000V DC fuse bases

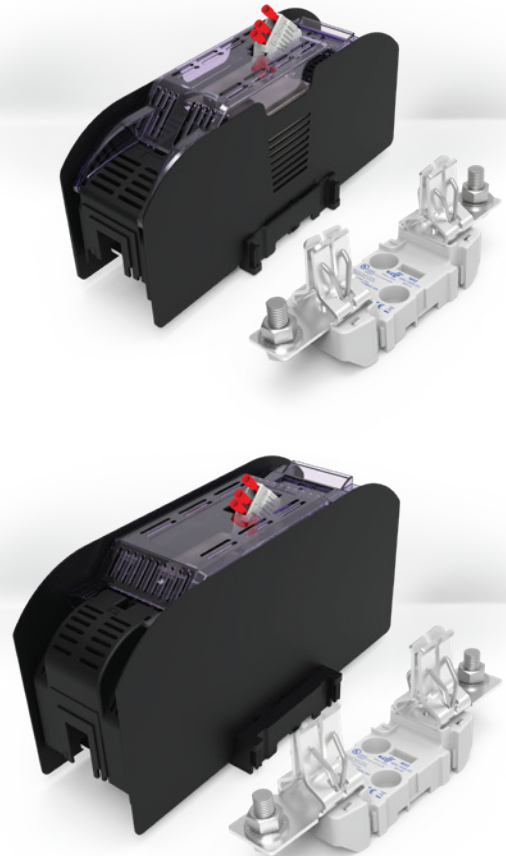
RATED VOLTAGE	RATED CURRENT	PROTECTION INDEX
1000V DC	250A	IP00   IP20
	400A	
	500A	



### DIMENSIONS






\* with IP20 protection



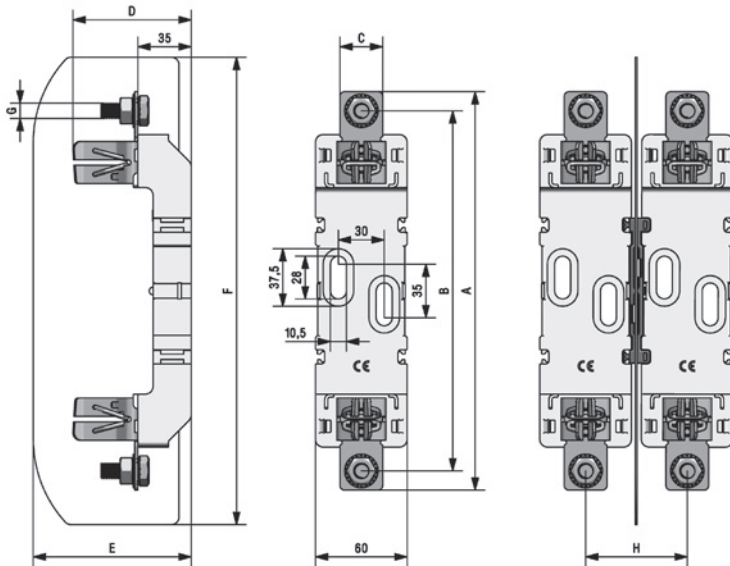
	A	B	C	D	E	F	G	H	I	J	K	L	M	N	O	P	Q
<b>NH1</b>	200	175	48	28	146	77,5	35	80	107	230	M10	25	30	10,5	20,5	107	53,5
<b>NH2</b>	225	200	60	32	146	88	35	80	123	250	M12	25	30	10,5	20,5	114,5	83
<b>NH3</b>	240	210	60	38	146	97	35	80	143	270	M12	25	30	10,5	20,5	143	116



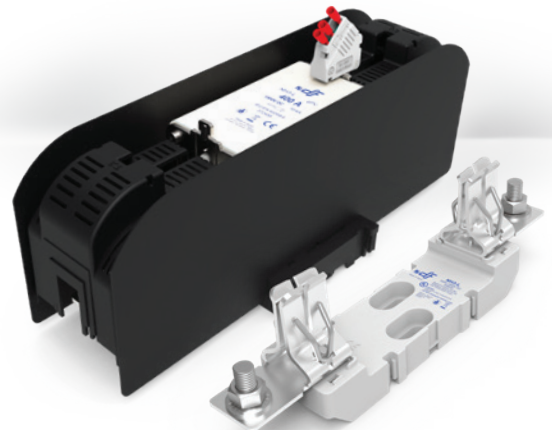
## ST NH XL1500V DC fuse bases

RATED VOLTAGE	RATED CURRENT	PROTECTION INDEX
1500V DC	200A 	IP00   IP20
	315A 	
	500A 	

### DIMENSIONS



	A	B	C	D	E	F	G	H
NH1XL	260	235	28	77,5	103,5	305	M10	66
NH2XL	285	260	32	88	113,8	305	M12	66
NH3L	300	270	38	97	127,5	326	M12	82

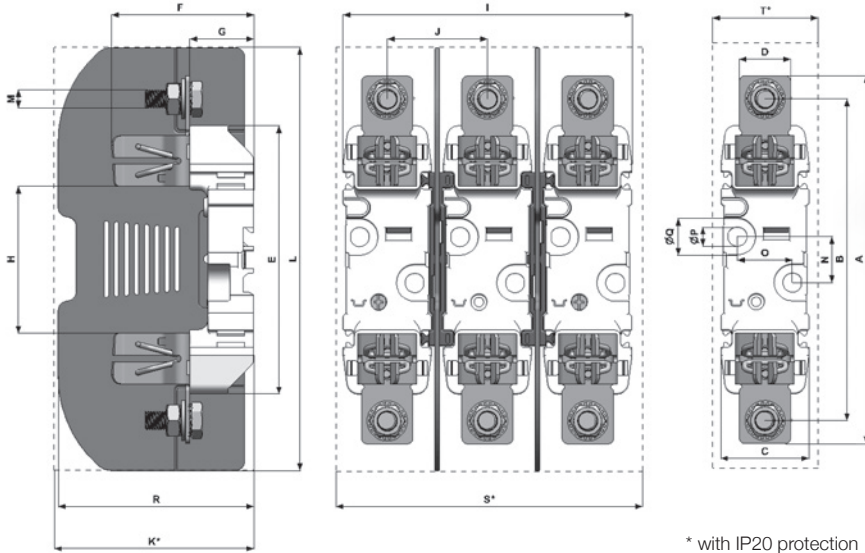




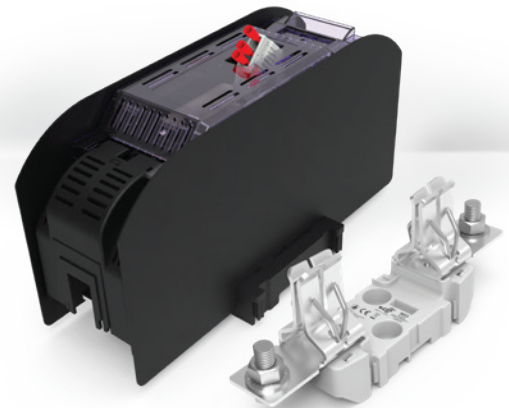
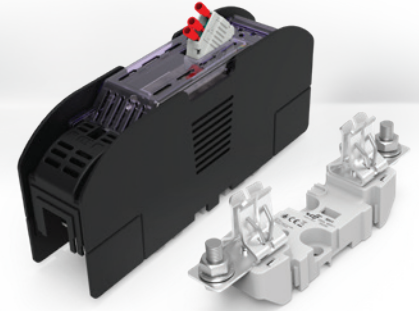
## ST NH 800V AC fuse bases

RATED VOLTAGE	RATED CURRENT	PROTECTION INDEX
800V AC	200A $\odot$ <sub>NH1</sub>	IP00   IP20
	630A $\odot$ <sub>NH3</sub>	

### DIMENSIONS



\* with IP20 protection



	A	B	C	D	E	F	G	H	I	J	K	L	M	N	O	P	Q	R	S	T
<b>NH1</b>	200	175	48	28	148	77,5	35	80	156,5	54,3	107	230	M10	25	30	10,5	20,5	107	162	54
<b>NH3</b>	240	210	60	38	148	97	35	80	224	82	143	270	M12	25	30	10,5	20,5	143	281	116

ST

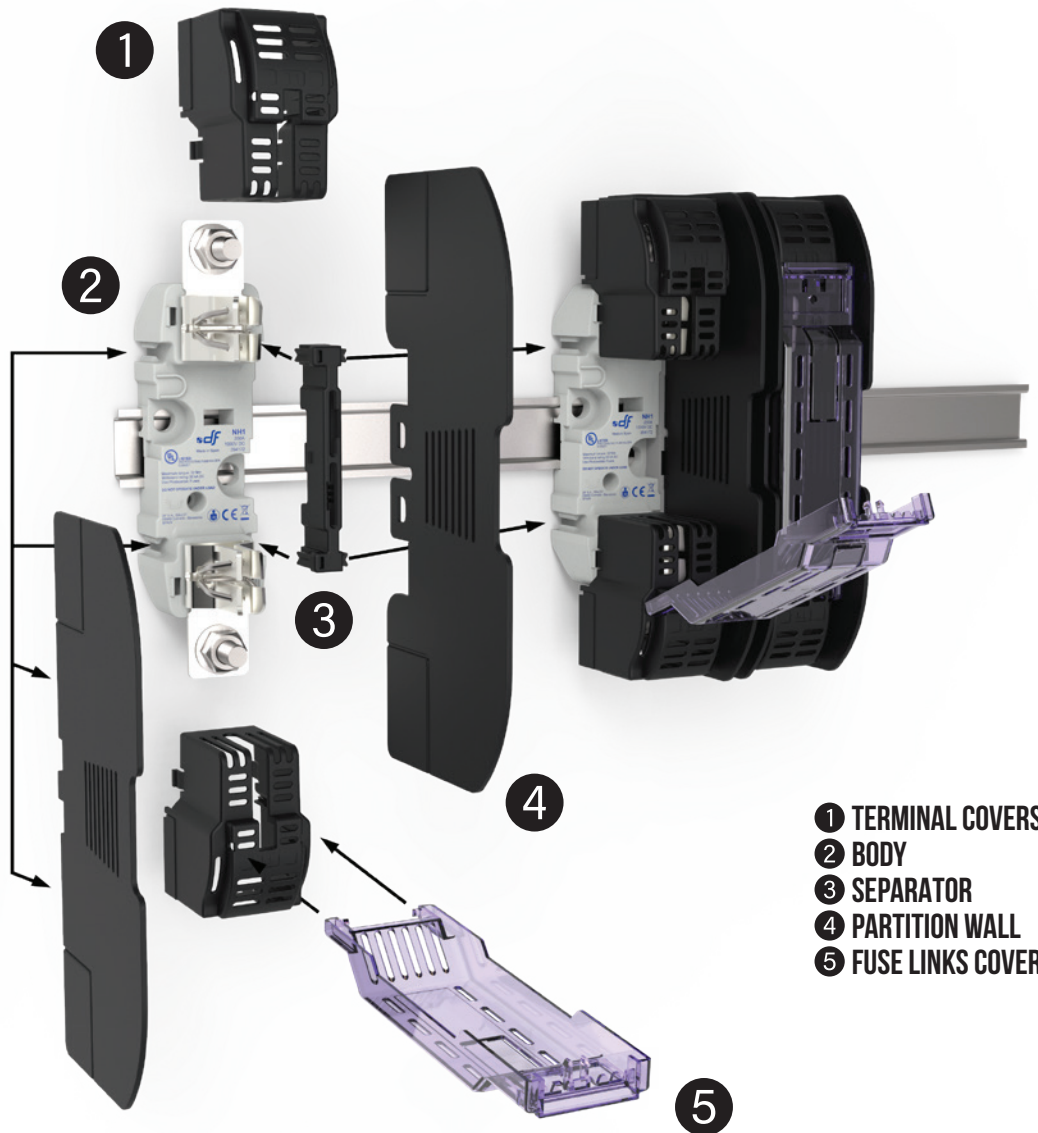
NH1

NH2

NH3

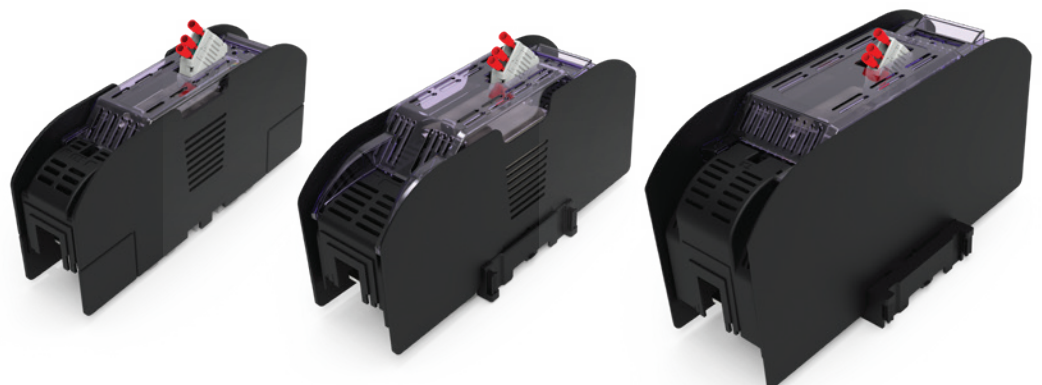
ST  
NH 1000V DC  
fuse bases

## ACCESSORIES ASSEMBLY



- ① TERMINAL COVERS
- ② BODY
- ③ SEPARATOR
- ④ PARTITION WALL
- ⑤ FUSE LINKS COVER

The fuseholder allows using simultaneously a microswitch for NH fuse links and IP20 protection accessories.



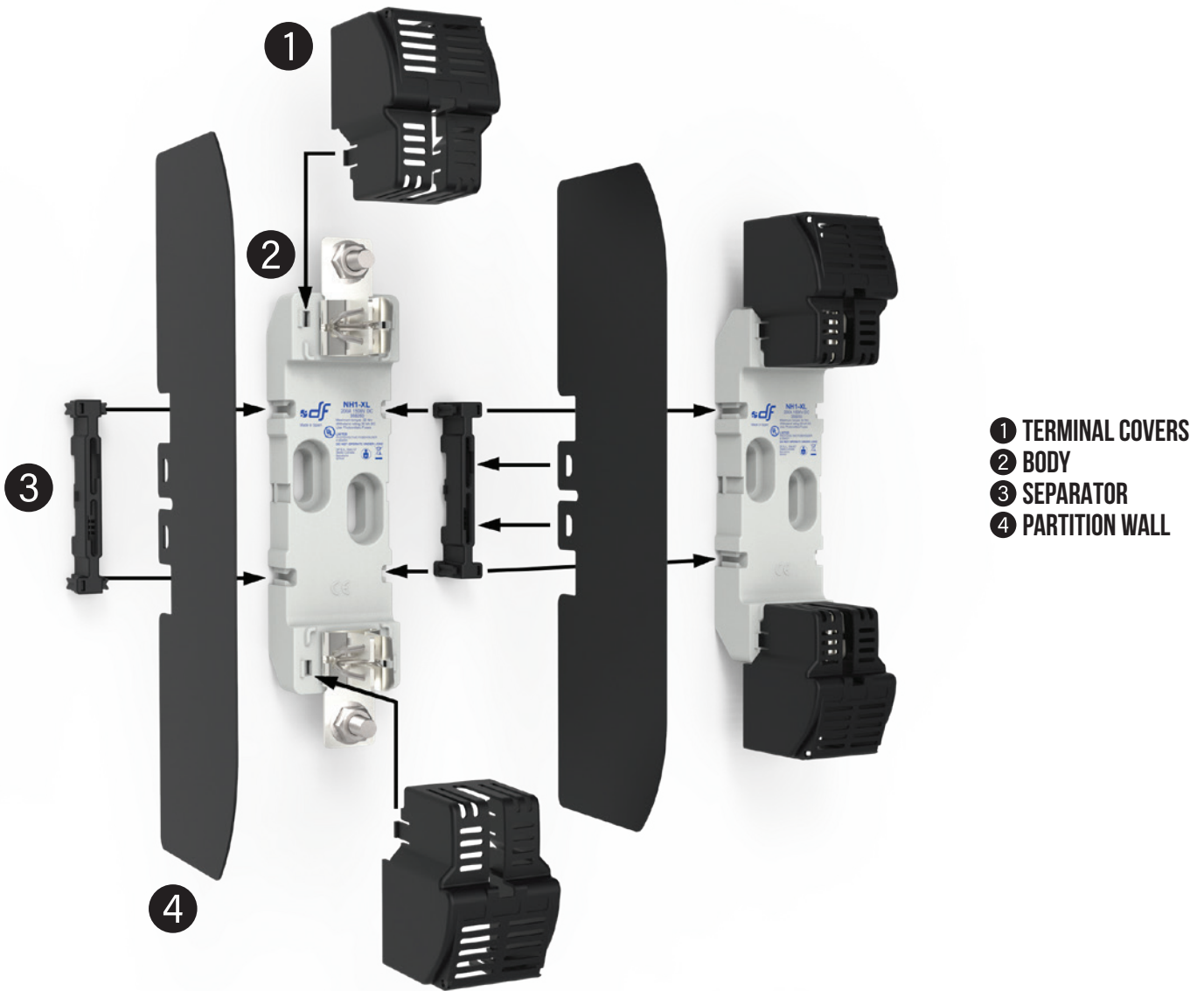
ACCESSORIES

PAG 17



**ST**  
NH XL1500V DC  
fuse bases

## ACCESSORIES ASSEMBLY



The fuseholder allows using simultaneously a microswitch for NH fuse links and IP20 protection accessories.



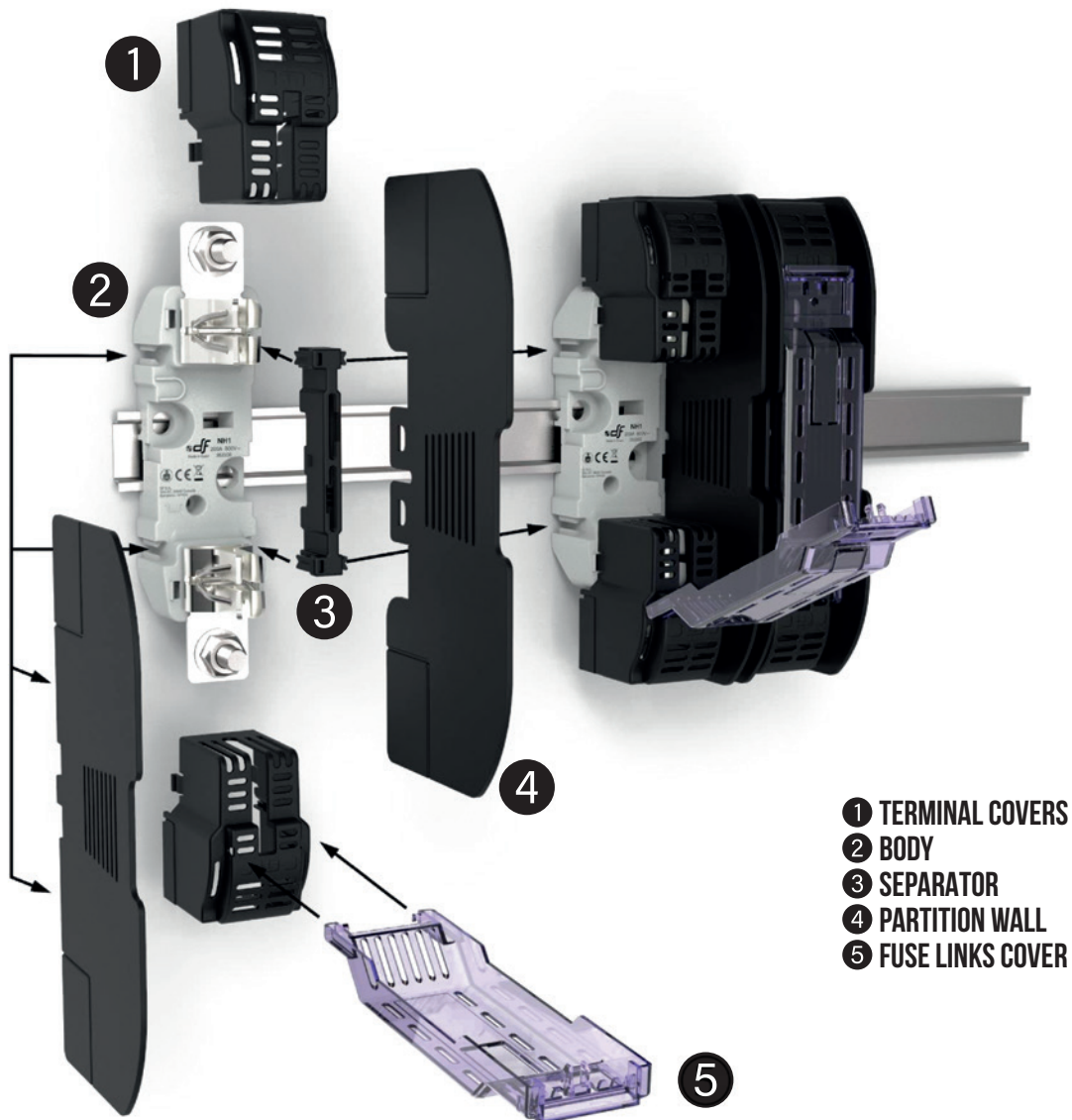
ACCESSORIES

PAG 17



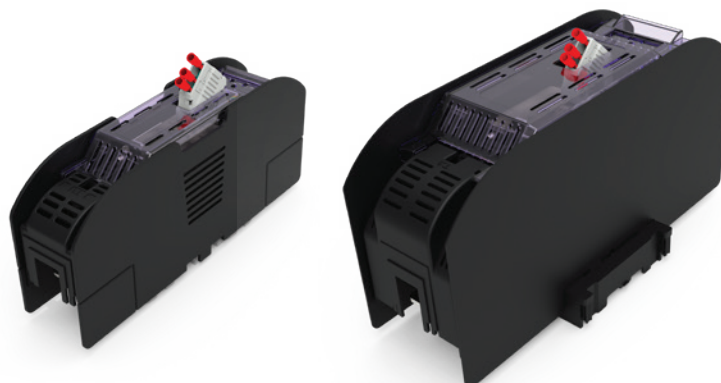
**ST**  
NH 800V AC  
fuse bases

## ACCESSORIES ASSEMBLY



- ① TERMINAL COVERS
- ② BODY
- ③ SEPARATOR
- ④ PARTITION WALL
- ⑤ FUSE LINKS COVER

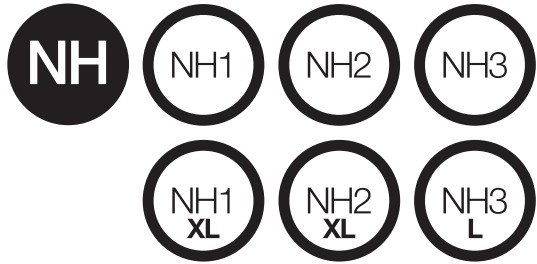
The fuseholder allows using simultaneously a microswitch for NH fuse links and IP20 protection accessories.



ACCESSORIES

PAG 17





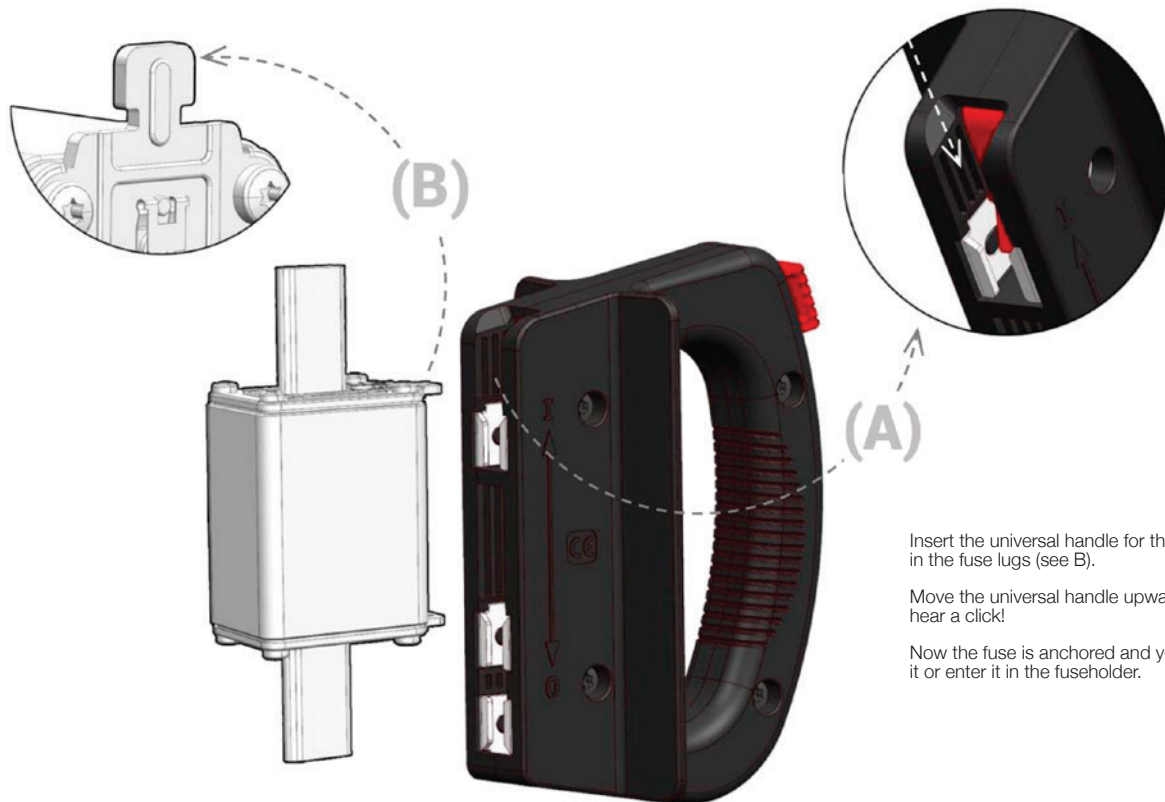
## FUSE PULLERS

NH 1000V DC  
 NH XL 1500V DC  
 accessories

## DIMENSIONS



## INSTRUCTIONS



Insert the universal handle for the top (see A) in the fuse lugs (see B).

Move the universal handle upward until you hear a click!

Now the fuse is anchored and you can remove it or enter it in the fuseholder.

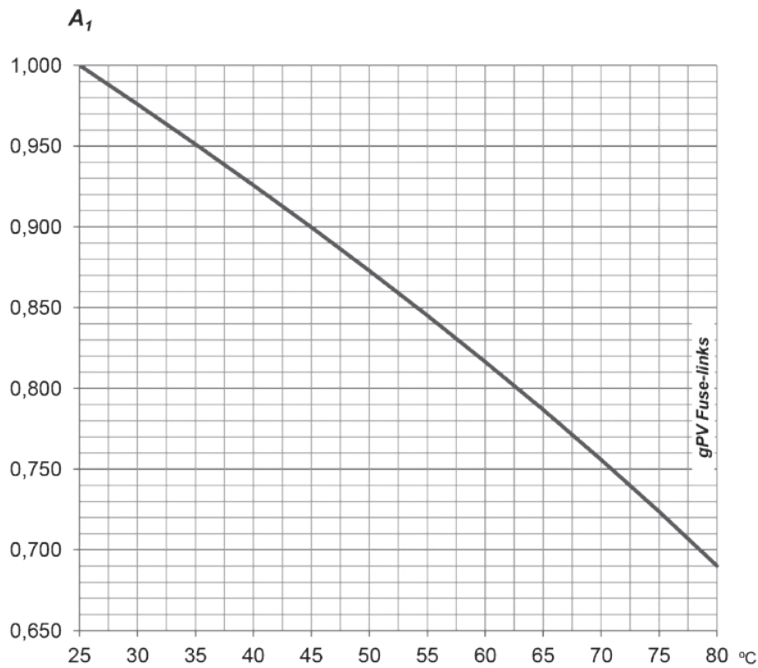


To remove the universal handle from the fuse, press the red button and move the handle downward.

**CYL** | gPV  
CYLINDRICAL  
fuse links

**NH** | gPV  
NH 1000V DC  
fuse links

## AMBIENT TEMPERATURE DERATING FACTOR



ta (°C)	A1
25	1,00
30	0,98
35	0,95
40	0,93
45	0,90
50	0,87
55	0,84
60	0,82
65	0,79
70	0,76
75	0,72
80	0,69



**HEAD OFFICE AND FACTORY**

SILICI, 67-69  
08940 CORNELLA DE LLOBREGAT  
BARCELONA  
SPAIN  
Tel. +34 93 377 85 85  
Fax +34 93 377 82 82

**INTERNATIONAL SALES**

Tel. +34 93 475 08 64  
Fax +34 93 480 07 75  
export@df-sa.es

**NATIONAL SALES**

Tel. 93 475 08 64  
Fax 93 480 07 76  
comercial@df-sa.es

[www.df-sa.es](http://www.df-sa.es)



**PROTECTING  
THE WORLD**

