

# Fuse Terminals

**ERF2**  
Width: 8 mm

64.20

6 mm<sup>2</sup> Fuse Terminal Block  
For 35 mm G and DIN Rail

**ERF2LD**  
Width: 8 mm

64.20

6 mm<sup>2</sup> Fuse Terminal Block with LED  
XX: 24AC/DC, 48AC/DC, 110AC/DC, 220AC/DC  
For 35 mm G and DIN Rail

**ERF3M**  
Width: 6.2 mm

54.10

4 mm<sup>2</sup> Fuse Terminal Block with Socket and Lever  
For 35 mm DIN Rail

**ERF3MLD**  
Width: 6.2 mm

54.10

4 mm<sup>2</sup> Fuse Terminal Block with Socket, Lever and LED  
XX: 24AC/DC, 48AC/DC, 110AC/DC, 220AC/DC  
For 35 mm DIN Rail

**ERF3**  
Width: 6.2 mm

54.10

4 mm<sup>2</sup> Fuse Terminal Block with Socket  
For 35 mm DIN Rail

**ERF3LD**  
Width: 6.2 mm

54.10

4 mm<sup>2</sup> Fuse Terminal Block with Socket and LED  
XX: 24AC/DC, 48AC/DC, 110AC/DC, 220AC/DC  
For 35 mm DIN Rail



Electrical Ratings	
CE (EN 60947-7-3)	
cRUus	
VDE (IEC 60947-7-1)	
CSA	
IECEX	

Connection Data	
Conductor cross section solid (min.-max.)	0.2 - 10 mm <sup>2</sup>
Conductor cross section stranded (min.-max.)	0.2 - 10 mm <sup>2</sup>
2 Conductors with same cross section, stranded, TWIN ferrules with plastic sleeve, (min.-max.)	0.5 - 4 mm <sup>2</sup>
AWG Conductor	AWG 24 - 8
Insulation Stripping Length	10 - 12 mm
Torque (min.-max.)	0.8 - 1.2 Nm
Screwdriver	0.6 x 3.5

Technical Data	
Rated Impulse Voltage	6/3
Insulation material group / Gauge pin code according to IEC 60947-1	1/B5
Protection class / Protection conductor type	IP 20/-
Fuse Type	G/5 x 20 - 5 x 25

Ordering Data	
<div style="display: flex; align-items: center;"> <div style="width: 10px; height: 10px; background-color: #d9ead3; margin-right: 5px;"></div> Beige           <div style="width: 10px; height: 10px; background-color: #555; margin-left: 20px; margin-right: 5px;"></div> Grey         </div>	

Partition Plate	
xx: available in all colours	

Cross Connection - Comb Connection	

Cross Connection - Extraction Tool	

End Bracket	
xx: Beige or Grey	

Test Plug and Sockets	

Warning Label	
Available in White and Yellow	

Group Marking	

Unprinted Markers	

Voltage, V ~	Current, A	Cross Section
500	6.3	6 mm <sup>2</sup>
300	6.3	AWG 26 - 8

Terminal	Qty.	End Plate	Qty.
ERF2BEIGE	50	EPF2BEIGE	25
ERF2GREY	50	EPF2GREY	25

Terminal	Qty.	End Plate	Qty.
ERF2LDXXBEIGE	25	EPF2BEIGE	25
ERF2LDXXGREY	25	EPF2GREY	25

Partition	Qty.	Partition	Qty.

Part Number	Qty.	Part Number	Qty.

Part Number	Qty.	Part Number	Qty.
ES1xx	100		
ES4xx	100		
ES7xx	50		
ES3xx	100		

Part Number	Qty.	Part Number	Qty.

With Symbol	Qty.	Without Symbol	Qty.

Part Number	Qty.	Part Number	Qty.
GM	50	GM3	50
GM1-1	25		
GM1-2	25		
GM2-2	25		

Part Number	Qty.	Part Number	Qty.
DG10/8	260		

Voltage, V ~	Current, A	Cross Section
	6.3	6 mm <sup>2</sup>
	6.3	AWG 26 - 8

Terminal	Qty.	End Plate	Qty.
ERF2LDXXBEIGE	25	EPF2BEIGE	25
ERF2LDXXGREY	25	EPF2GREY	25

Terminal	Qty.	End Plate	Qty.
ERF2LDXXBEIGE	25	EPF2BEIGE	25
ERF2LDXXGREY	25	EPF2GREY	25

Partition	Qty.	Partition	Qty.

Part Number	Qty.	Part Number	Qty.

Part Number	Qty.	Part Number	Qty.
ES1xx	100		
ES4xx	100		
ES7xx	50		

Part Number	Qty.	Part Number	Qty.

With Symbol	Qty.	Without Symbol	Qty.

Part Number	Qty.	Part Number	Qty.
GM	50	GM3	50
GM1-1	25		
GM1-2	25		
GM2-2	25		

Part Number	Qty.	Part Number	Qty.
DG10/8	260		

Voltage, V ~	Current, A	Cross Section
500	10	4 mm <sup>2</sup>
600	10	AWG 26 - 10

Terminal	Qty.	End Plate	Qty.
ERF3MBEIGE	30	EPF3BEIGE	10
ERF3MGREY	30	EPF3GREY	10

Terminal	Qty.	End Plate	Qty.
ERF3MLDXXBEIGE	30	EPF3BEIGE	10
ERF3MLDXXGREY	30	EPF3GREY	10

Partition	Qty.	Partition	Qty.

Part Number	Qty.	Part Number	Qty.
CCS4/2	25		
CCS4/3	20		
CCS4/4	15		

Part Number	Qty.	Part Number	Qty.
ES1xx	100		
ES4xx	100		
ES7xx	50		

Part Number	Qty.	Part Number	Qty.

With Symbol	Qty.	Without Symbol	Qty.

Part Number	Qty.	Part Number	Qty.
GM	50	GM3	50
GM1-1	25		
GM1-2	25		
GM2-2	25		

Part Number	Qty.	Part Number	Qty.
DG10/6	360		

Voltage, V ~	Current, A	Cross Section
	10	4 mm <sup>2</sup>
	10	AWG 26 - 10

Terminal	Qty.	End Plate	Qty.
ERF3MLDXXBEIGE	30	EPF3BEIGE	10
ERF3MLDXXGREY	30	EPF3GREY	10

Terminal	Qty.	End Plate	Qty.
ERF3MLDXXBEIGE	30	EPF3BEIGE	10
ERF3MLDXXGREY	30	EPF3GREY	10

Partition	Qty.	Partition	Qty.

Part Number	Qty.	Part Number	Qty.
CCS4/2	25		
CCS4/3	20		
CCS4/4	15		

Part Number	Qty.	Part Number	Qty.
ES1xx	100		
ES4xx	100		
ES7xx	50		

Part Number	Qty.	Part Number	Qty.

With Symbol	Qty.	Without Symbol	Qty.

Part Number	Qty.	Part Number	Qty.
GM	50	GM3	50
GM1-1	25		
GM1-2	25		
GM2-2	25		

Part Number	Qty.	Part Number	Qty.
DG10/6	360		

Voltage, V ~	Current, A	Cross Section
500	10	4 mm <sup>2</sup>
600	10	AWG 26 - 10

Terminal	Qty.	End Plate	Qty.
ERF3BEIGE	30	EPF3BEIGE	10
ERF3GREY	30	EPF3GREY	10

Terminal	Qty.	End Plate	Qty.
ERF3BEIGE	30	EPF3BEIGE	10
ERF3GREY	30	EPF3GREY	10

Partition	Qty.	Partition	Qty.

Part Number	Qty.	Part Number	Qty.
CCS4/2	25		
CCS4/3	20		
CCS4/4	15		

Part Number	Qty.	Part Number	Qty.
ES1xx	100		
ES4xx	100		

Part Number	Qty.	Part Number	Qty.

With Symbol	Qty.	Without Symbol	Qty.

Part Number	Qty.	Part Number	Qty.
GM	50		
GM1-1	25		
GM1-2	25		
GM2-2	25		

Part Number	Qty.	Part Number	Qty.
DG10/6	360		

Voltage, V ~	Current, A	Cross Section
	10	4 mm <sup>2</sup>
	10	AWG 26 - 10

Terminal	Qty.	End Plate	Qty.
ERF3LDXXBEIGE	30	EPF3BEIGE	10
ERF3LDXXGREY	30	EPF3GREY	10

Terminal	Qty.	End Plate	Qty.
ERF3LDXXBEIGE	30	EPF3BEIGE	10
ERF3LDXXGREY	30	EPF3GREY	10

Partition	Qty.	Partition	Qty.

Part Number	Qty.	Part Number	Qty.
CCS4/2	25		
CCS4/3	20		
CCS4/4	15		

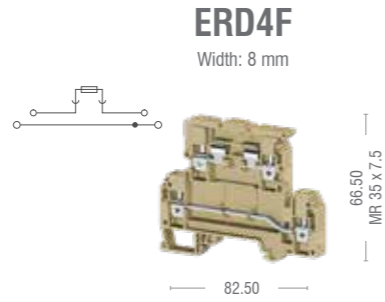
Part Number	Qty.	Part Number	Qty.
ES1xx	100		
ES4xx	100		

Part Number	Qty.	Part Number	Qty.

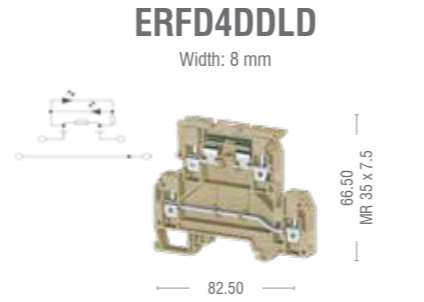
With Symbol	Qty.	Without Symbol	Qty.

Part Number	Qty.	Part Number	Qty.
GM	50		
GM1-1	25		
GM1-2	25		
GM2-2	25		

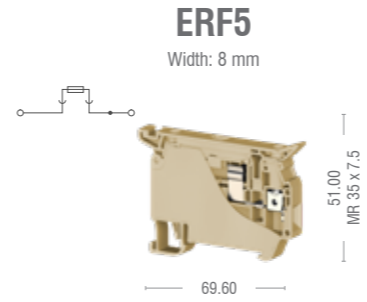
Part Number	Qty.	Part Number	Qty.
DG10/6	360		



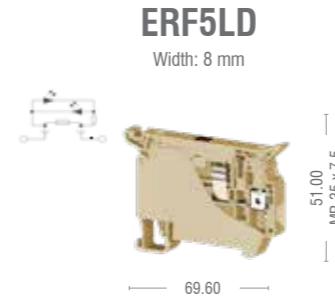
**ERD4F**  
Width: 8 mm  
4 mm<sup>2</sup> Fuse Terminal Block  
Double Deck, 2 In, 2 Out  
For 35 mm DIN Rail



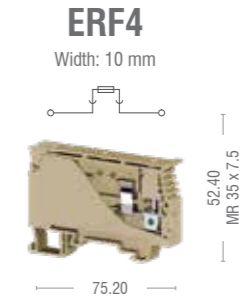
**ERFD4DDLD**  
Width: 8 mm  
6 mm<sup>2</sup> Fuse Terminal Block with LED, Double Deck, 2 In, 2 Out  
XX: 24AC/DC, 110AC/DC, 220AC/DC  
For 35 mm DIN Rail



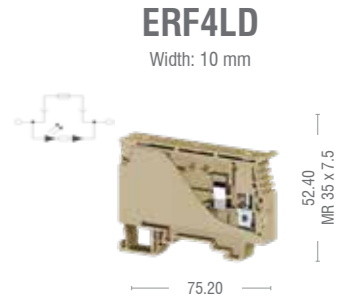
**ERF5**  
Width: 8 mm  
4 mm<sup>2</sup> Fuse Terminal Block  
For 35 mm DIN Rail



**ERF5LD**  
Width: 8 mm  
4 mm<sup>2</sup> Fuse Terminal Block with LED  
XX: 24AC/DC, 110AC/DC, 220AC/DC  
For 35 mm DIN Rail



**ERF4**  
Width: 10 mm  
6 mm<sup>2</sup> Fuse Terminal Block for American Standards  
For 35 mm DIN Rail



**ERF4LD**  
Width: 10 mm  
6 mm<sup>2</sup> Fuse Terminal Block for American Standards with LED  
XX: 24AC/DC, 48AC/DC, 110AC/DC, 220AC/DC  
For 35 mm DIN Rail



Electrical Ratings
CE (EN 60947-7-3)
cRUus
VDE (IEC 60947-7-1)
CSA
IECEX

Connection Data	
Conductor cross section solid (min.-max.)	0.2 - 6 mm <sup>2</sup>
Conductor cross section stranded (min.-max.)	0.2 - 6 mm <sup>2</sup>
2 Conductors with same cross section, stranded, TWIN ferrules with plastic sleeve, (min.-max.)	0.5 - 2.5 mm <sup>2</sup>
AWG Conductor	AWG 24 - 10
Insulation Stripping Length	8 - 9 mm
Torque (min.-max.)	0.5 - 1 Nm
Screwdriver	0.6 x 3.5

Technical Data	
Rated Impulse Voltage	6/3
Insulation material group / Gauge pin code according to IEC 60947-1	1/A4
Protection class / Protection conductor type	IP 20/-
Fuse Type	G/5x20 - 5x25

Ordering Data
<input type="checkbox"/> Beige <input type="checkbox"/> Grey



Voltage, V ~	Current, A	Cross Section
500	32	4 mm <sup>2</sup>
600	6.3/30	AWG 26 - 10

Terminal	Qty.	End Plate	Qty.
ERD4FBEIGE	50	EPERD4FBEIGE	10
ERD4FGREY	50	EPERD4FGREY	10

Partition	Qty.	Partition	Qty.

Part Number	Qty.	Part Number	Qty.
CCS6/2	25		
CCS6/3	20		
CCS6/4	15		
CCS6/10	5		

Part Number	Qty.	Part Number	Qty.

Part Number	Qty.	Part Number	Qty.
ES1xx	100		
ES4xx	100		
ES3xx	100		

Part Number	Qty.	Part Number	Qty.

Part Number	Qty.	Part Number	Qty.
GM	50		
GM1-1	25		
GM1-2	25		
GM2-2	25		

Part Number	Qty.	Part Number	Qty.
DG10/8	260		

With Symbol	Qty.	Without Symbol	Qty.

Part Number	Qty.	Part Number	Qty.

Part Number	Qty.	Part Number	Qty.

Voltage, V ~	Current, A	Cross Section
24	32	4 mm <sup>2</sup>
300	6.3/30	AWG 26 - 10

Terminal	Qty.	End Plate	Qty.
ERFD4DDLDXXBEIGE	50	EPERD4FBEIGE	10
ERFD4DDLDXXGREY	50	EPERD4FGREY	10

Partition	Qty.	Partition	Qty.

Part Number	Qty.	Part Number	Qty.
CCS6/2	25		
CCS6/3	20		
CCS6/4	15		
CCS6/10	5		

Part Number	Qty.	Part Number	Qty.

Part Number	Qty.	Part Number	Qty.
ES1xx	100		
ES4xx	100		
ES3xx	100		

Part Number	Qty.	Part Number	Qty.

Part Number	Qty.	Part Number	Qty.
GM	50		
GM1-1	25		
GM1-2	25		
GM2-2	25		

Part Number	Qty.	Part Number	Qty.
DG10/8	260		

With Symbol	Qty.	Without Symbol	Qty.

Part Number	Qty.	Part Number	Qty.

Part Number	Qty.	Part Number	Qty.

Voltage, V ~	Current, A	Cross Section
500	10	4 mm <sup>2</sup>
300	10	AWG 26 - 10

Terminal	Qty.	End Plate	Qty.
ERF5BEIGE	50		
ERF5GREY	50		

Partition	Qty.	Partition	Qty.

Part Number	Qty.	Part Number	Qty.
CCS6/2	25		
CCS6/3	20		
CCS6/4	15		
CCS6/10	5		

Part Number	Qty.	Part Number	Qty.

Part Number	Qty.	Part Number	Qty.
ES1xx	100		
ES4xx	100		
ES7xx	50		

Part Number	Qty.	Part Number	Qty.

Part Number	Qty.	Part Number	Qty.
GM	50		

Part Number	Qty.	Part Number	Qty.
DG10/8	260		

With Symbol	Qty.	Without Symbol	Qty.

Part Number	Qty.	Part Number	Qty.

Part Number	Qty.	Part Number	Qty.

Voltage, V ~	Current, A	Cross Section
	10	4 mm <sup>2</sup>
	10	AWG 26 - 10

Terminal	Qty.	End Plate	Qty.
ERF5LDXXBEIGE	50		
ERF5LDXXGREY	50		

Partition	Qty.	Partition	Qty.

Part Number	Qty.	Part Number	Qty.
CCS6/2	25		
CCS6/3	20		
CCS6/4	15		
CCS6/10	5		

Part Number	Qty.	Part Number	Qty.

Part Number	Qty.	Part Number	Qty.
ES1xx	100		
ES4xx	100		
ES7xx	50		

Part Number	Qty.	Part Number	Qty.

Part Number	Qty.	Part Number	Qty.
GM	50		

Part Number	Qty.	Part Number	Qty.
DG10/8	260		

With Symbol	Qty.	Without Symbol	Qty.

Part Number	Qty.	Part Number	Qty.

Part Number	Qty.	Part Number	Qty.

Voltage, V ~	Current, A	Cross Section
750	6.3	6 mm <sup>2</sup>
600	6.3	AWG 22 - 8

Terminal	Qty.	End Plate	Qty.
ERF4BEIGE	20		
ERF4GREY	20		

Partition	Qty.	Partition	Qty.

Part Number	Qty.	Part Number	Qty.
CCS6/2	25		
CCS6/3	20		
CCS6/4	15		
CCS6/10	5		

Part Number	Qty.	Part Number	Qty.

Part Number	Qty.	Part Number	Qty.
ES1xx	100		
ES4xx	100		

Part Number	Qty.	Part Number	Qty.

Part Number	Qty.	Part Number	Qty.
GM	50		

Part Number	Qty.	Part Number	Qty.
DG10/8	260		

With Symbol	Qty.	Without Symbol	Qty.

Part Number	Qty.	Part Number	Qty.

Part Number	Qty.	Part Number	Qty.

Voltage, V ~	Current, A	Cross Section
	6.3	6 mm <sup>2</sup>
	6.3	AWG 22 - 8

Terminal	Qty.	End Plate	Qty.
ERF4LDXXBEIGE	20		
ERF4LDXXGREY	20		

Partition	Qty.	Partition	Qty.

Part Number	Qty.	Part Number	Qty.
CCS6/2	25		
CCS6/3	20		
CCS6/4	15		
CCS6/10	5		

Part Number	Qty.	Part Number	Qty.

Part Number	Qty.	Part Number	Qty.
ES1xx	100		
ES4xx	100		

Part Number	Qty.	Part Number	Qty.

Part Number	Qty.	Part Number	Qty.
GM	50		

Part Number	Qty.	Part Number	Qty.
DG10/8	260		

With Symbol	Qty.	Without Symbol	Qty.

Part Number	Qty.	Part Number	Qty.
-------------	------	-------------	------