

HD2 Series

AC Variable Speed Inverters

3 Phase 380/440V 50/60Hz 1.5~500kW



- Torque Vector control
- Up to 150% starting torque
- HD rated for demanding applications
- Asynchronous & synchronous motor control
- Advanced LCD keypad (16 lines of text)
- Motor Auto-tune (static and dynamic)
- Safe Torque Off (STO)
- 2 motor parameter sets.
- DC Injection braking
- Flux braking
- Integral brake chopper (<37kW)
- Integral AC reactor (>355Kw)
- Integral DC reactor (18.5~110Kw)
- PID Control as standard
- Modbus RTU/RS485 built in
- PG card (multiple options)
- IP20 (all models)
- WiFi card
- Bluetooth card
- Profibus DP card
- CANopen card
- Profinet card.
- Multi I/O card
- USB Port for firmware updates
- 6 Digital Inputs
- 2 Analogue Inputs
- 1 Analogue Output
- 2 Relay Outputs
- 2 Digital Outputs
- Integral C3 filter
- Category C1 & C2 filter options
- CE & RCM Marked
- 2 Year warranty



Ordering Information

Series		HD2		75A		43	
HD2 Inverter Drive		HD2				Input 380/440V Three Phase	
Output Power kW (HP)							
1.5kW (2HP)		3.7A		90kW (125HP)		180A	
2.2kW (3HP)		5A		110kW (150HP)		215A	
4.0kW (5.5HP)		9.5A		132kW (175HP)		260A	
5.5kW (7.5HP)		14A		160kW (215HP)		305A	
7.5kW (10HP)		18.5A		185kW (250HP)		340A	
11kW (15HP)		25A		200kW (270HP)		380A	
15kW (20HP)		32A		220kW (300HP)		425A	
18.5kW (25HP)		38A		250kW (335HP)		480A	
22kW (30HP)		45A		280kW (375HP)		530A	
30kW (40HP)		60A		315kW (420HP)		600A	
37kW (50HP)		75A		355kW (470HP)		650A	
45kW (60HP)		92A		400kW (535HP)		720A	
55kW (75HP)		115A		450kW (600HP)		820A	
75kW (90HP)		150A		500kW (670HP)		860A	

HD2 Series

AC Variable Speed Inverters



Technical Datasheet

Technical Specifications

Three Phase 380/440V

	Model	Rated Power kW (HP)	Carrier Frequency (kHz)	Input Current (A)	Output Current (A)	Contactor (A)	Fuse/ MCCB (A)	Weight	Dimensions		
									Width	Height	Depth
Three Phase 440V	HD2-3.7A-43	1.5 (2)	8	5	3.7	10	17.4/16	2	126	186	184.4
	HD2-5A-43	2.2 (3)	8	5.8	5	10	17.4/16	2	126	186	185
	HD2-9.5A-43	4 (5.5)	8	13.5	9.5	16	30/25	2.5	126	186	200.9
	HD2-14A-43	5.5 (7.5)	8	19.5	14	16	45/25	2.5	126	186	200.9
	HD2-18.5A-43	7.5 (10)	8	25	18.5	25	60/40	3	146	256	191.9
	HD2-25A-43	11 (15)	8	32	25	32	78/63	6	170	320	219.2
	HD2-32A-43	15 (20)	4	40	32	50	105/63	6	170	320	219.2
	HD2-38A-43	18.5 (25)	4	47	38	63	114/100	8.5	200	340.6	207.2
	HD2-45A-43	22 (30)	4	56	45	80	138/100	8.5	200	340.6	207.2
	HD2-60A-43	30 (40)	4	70	60	95	186/125	16	250	400	222.4
	HD2-75A-43	37 (50)	4	80	75	120	228/160	16	250	400	222.4
	HD2-92A-43	45 (60)	4	94	92	135	270/200	25	282	560	257.1
	HD2-115A-43	55 (75)	4	128	115	170	315/200	25	282	560	257.1
	HD2-150A-43	75 (90)	2	160	150	230	420/250	25	282	560	257.1
	HD2-180A-43	90 (125)	2	190	180	280	480/315	41	338	554	329.2
	HD2-215A-43	110 (150)	2	225	215	315	630/400	41	338	554	329.2
	HD2-260A-43	132 (175)	2	265	260	380	720/400	85	500	870	360
	HD2-305A-43	160 (215)	2	310	305	450	870/630	85	500	870	360
	HD2-340A-43	185 (250)	2	345	340	580	1110/630	85	500	870	360
	HD2-380A-43	200 (270)	2	385	380	580	1110/630	85	500	870	360
HD2-425A-43	220 (300)	2	430	425	630	1230/800	135	680	960	379.5	
HD2-480A-43	250 (335)	2	485	480	700	1380/800	135	680	960	379.5	
HD2-530A-43	280 (375)	2	545	530	780	1500/1000	135	680	960	379.5	
HD2-600A-43	315 (420)	2	610	600	900	1740/1200	135	680	960	379.5	
HD2-650A-43	355 (475)	2	625	650	960	1860/1280	350	620	1700	560	
HD2-720A-43	400 (535)	2	715	720	1035	2010/1380	350	620	1700	560	
HD2-820A-43	450 (600)	2	840	820	1222	2445/1630	350	620	1700	560	
HD2-860A-43	500 (670)	2	890	860	1290	2505/1720	350	620	1700	560	

Dimensions (mm) & Frame Sizes

Model	Width	Height	Depth	Frame Size
HD2-3.7A-43	126	186	184.4	1
HD2-5A-43	126	186	185	
HD2-9.5A-43	126	186	200.9	2
HD2-14A-43	126	186	200.9	
HD2-18.5A-43	146	256	191.9	3
HD2-25A-43	170	320	219.2	4
HD2-32A-43	170	320	219.2	
HD2-38A-43	200	340.6	207.2	5
HD2-45A-43	200	340.6	207.2	
HD2-60A-43	250	400	222.4	6
HD2-75A-43	250	400	222.4	
HD2-92A-43	282	560	257.1	7
HD2-115A-43	282	560	257.1	
HD2-150A-43	282	560	257.1	
HD2-180A-43	338	554	329.2	8
HD2-215A-43	338	554	329.2	
HD2-260A-43	500	870	360	9
HD2-305A-43	500	870	360	
HD2-340A-43	500	870	360	
HD2-380A-43	500	870	360	10
HD2-425A-43	680	960	379.5	
HD2-480A-43	680	960	379.5	
HD2-530A-43	680	960	379.5	11
HD2-600A-43	680	960	379.5	
HD2-650A-43	620	1700	560	
HD2-720A-43	620	1700	560	
HD2-820A-43	620	1700	560	
HD2-860A-43	620	1700	560	

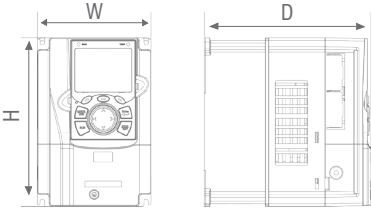
HD2 Series

AC Variable Speed Inverters

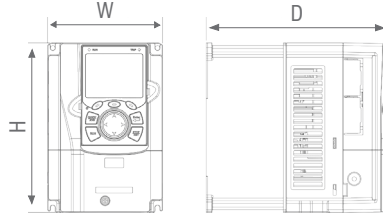


Technical Datasheet

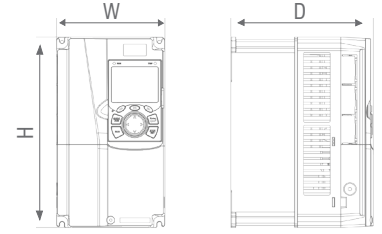
Dimensions (mm) & Frame Sizes



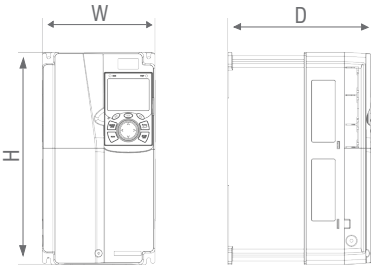
Frame Size 1



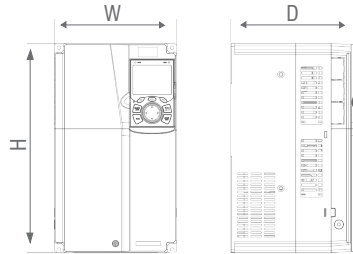
Frame Size 2



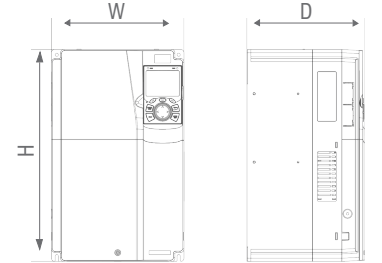
Frame Size 3



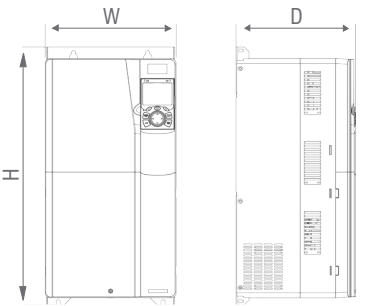
Frame Size 4



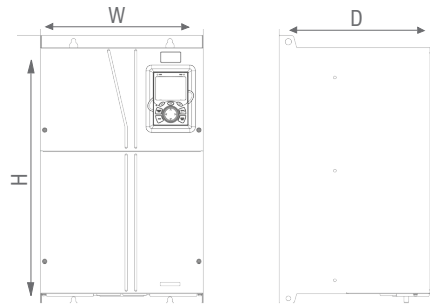
Frame Size 5



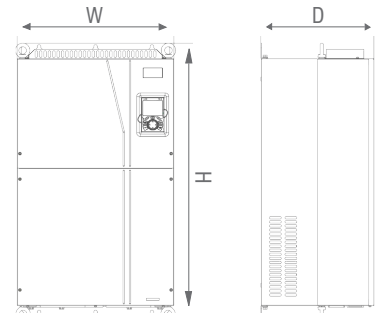
Frame Size 6



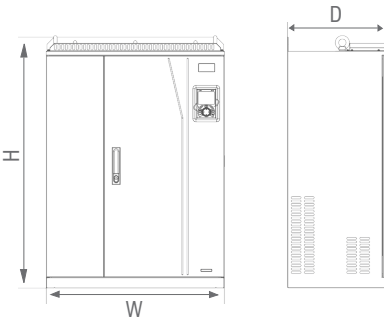
Frame Size 7



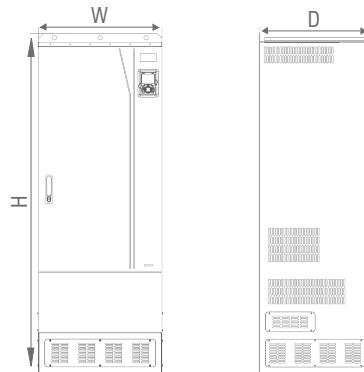
Frame Size 8



Frame Size 9



Frame Size 10

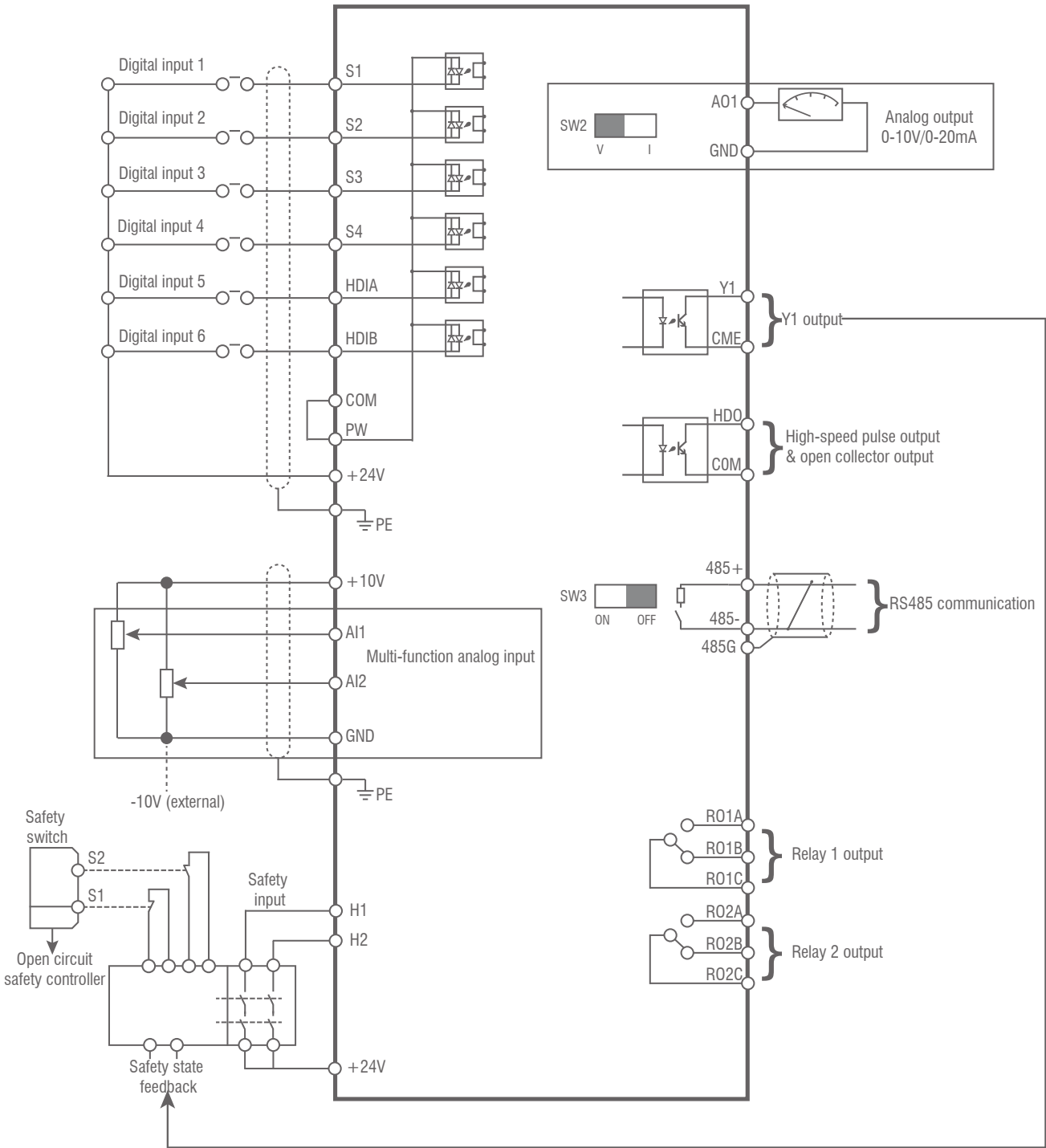


Frame Size 11

HD2 Series

AC Variable Speed Inverters

Control Connections



HD2 Series

AC Variable Speed Inverters



Technical Datasheet

Accessories

Inverter	Input Reactor	DC Reactor	Output Reactor	Braking unit
HD2-3.7A-43	ACLC-1.5-4	N/C	OLC-1.5-4	Integral
HD2-5A-43	ACLC-2.2-4	N/C	OLC-2.2-4	Integral
HD2-9.5A-43	ACLC-4.0-4	N/C	OLC-4.0-4	Integral
HD2-14A-43	ACLC-5.5-4	N/C	OLC-5.5-4	Integral
HD2-18.5A-43	ACLC-7.5-4	N/C	OLC-7.5-4	Integral
HD2-25A-43	ACLC-11-4	N/C	OLC-11-4	Integral
HD2-32A-43	ACLC-15-4	N/C	OLC-15-4	Integral
HD2-38A-43	ACLC-18-4	Integral	OLC-18-4	Integral
HD2-45A-43	ACLC-22-4	Integral	OLC-22-4	Integral
HD2-60A-43	ACLC-37-4	Integral	OLC-37-4	Integral
HD2-75A-43	ACLC-37-4	Integral	OLC-37-4	Integral
HD2-92A-43	ACLC-45-4	Integral	OLC-45-4	DBU45/75-4
HD2-115A-43	ACLC-55-4	Integral	OLC-55-4	DBU45/75-4
HD2-150A-43	ACLC-75-4	Integral	OLC-75-4	DBU45/75-4
HD2-180A-43	ACLC-110-4	Integral	OLC-110-4	DBU90/110-4
HD2-215A-43	ACLC-110-4	Integral	OLC-110-4	DBU90/110-4
HD2-260A-43	ACLC-160-4	DCLC-132-4	OLC-200-4	DBU132-4
HD2-305A-43	ACLC-160-4	DCLC-160-4	OLC-200-4	DBU160/200-4
HD2-340A-43	ACLC-200-4	DCLC-200-4	OLC-200-4	DBU160/200-4
HD2-380A-43	ACLC-200-4	DCLC-220-4	OLC-200-4	DBU160/200-4
HD2-425A-43	ACLC-280-4	DCLC-280-4	OLC-280-4	DBU220/250-4
HD2-480A-43	ACLC-280-4	DCLC-280-4	OLC-280-4	DBU220/250-4
HD2-530A-43	ACLC-280-4	DCLC-280-4	OLC-280-4	DBU160/200-4 (x2)
HD2-600A-43	ACLC-350-4	DCLC-315-4	OLC-350-4	DBU160/200-4 (x2)
HD2-650A-43	Integral	DCLC-400-4	OLC-350-4	DBU160/200-4 (x2)
HD2-720A-43	Integral	DCLC-400-4	OLC-400-4	DBU160/200-4 (x2)
HD2-820A-43	Integral	DCLC-500-4	OLC-500-4	DBU160/200-4 (x2)
HD2-860A-43	Integral	DCLC-500-4	OLC-500-4	DBU220/250-4 (x2)

Expansion Card Selection

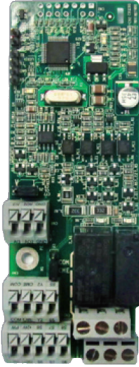
Expansion Card Type	Part Number	Part Description
I/O Card	HD2-E-IO	IO Expansion Card
PLC Card	HD2-E-PLC	Programmable Expansion Card (CODESYS)
Communication Card	HD2-E-BTP	Bluetooth Communication Card (Internal Antenna)
	HD2-E-BTM	Bluetooth Communication Card (External Antenna)
	HD2-E-ENET	Ethernet Communication Card
	HD2-E-WFP	WiFi Communication Card (Internal Antenna)
	HD2-E-WFM	WiFi Communication Card (External Antenna)
	HD2-E-COP	CANopen Communication Card
	HD2-E-CAN	CAN Master-Slave Communication Card
	HD2-E-PDP	PROFIBUS-DP Communication Card
PG Card	HD2-E-PRF	PROFINET Communication Card
	HD2-E-PGIM	Multi-Function Incremental PG Card
	HD2-E-PGI	5V Differential PG Card
Accessories	HD2-E-PGR	Rotary Transformer PG Card
	HD2-KP	LCD Multi-function keypad
	HD2-KP-MB	Keypad mounting bracket

HD2 Series

AC Variable Speed Inverters

Expansion Card Selection

HD2-E-IO



HD2-E-WFP



HD2-E-CAN



HD2-E-PDP



HD2-E-PLC

HD2-E-PGI



HD2-E-ENET

HD2-E-PRF



HD2-E-PGIM



HD2-E-PGR

