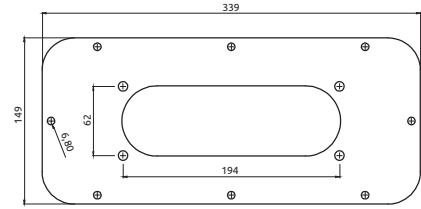
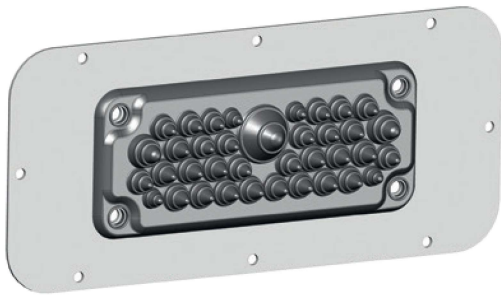


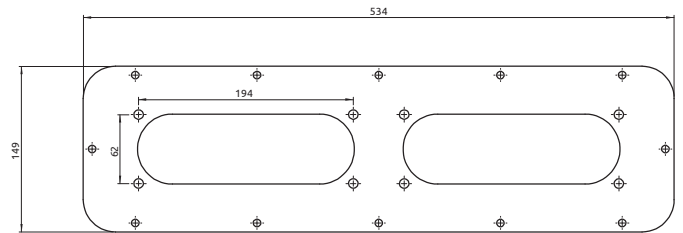
Flanged plates for Rittal AE compact enclosures. The flanged plates with Size C (FL 21) cut-outs is designed for compact enclosures of the Rittal AE series. All flanged plates are RAL 7035 powder-

coated. Please use the gaskets of the standard plates. Enclosures are supplied with gaskets and screws. We recommend fastening the cable entry systems with a torque of 2,0 Nm.

Type	
MMZ0001A30	Rittal AE size 4: 1xFL21 metal flange
MMZ0002A30	Rittal AE size 5: 2xFL21 metal flange



Rittal AE size 4: 1xFL21

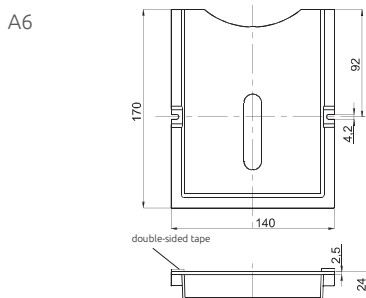
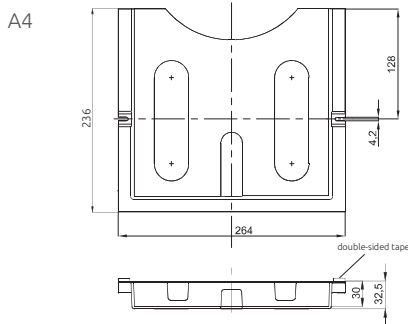


Rittal AE size 5: 2xFL21

Document holders

Document holders are used for storing of documents A4 or A6 (technical documentation, audit report etc.) to metal or plastic cabinets. The holder can be fixated by the double-sided adhesive tape to the cabinet wall. The tape is already prepared on the holder,

or it is possible to mount the holder using self-tapping screws (not included), which are pre-punched two oval apertures of 4,2 mm for. The holder is made of a shock-proof plastic (PS) and its offered in grey color (RAL 7035).



Holder A4



Holder A6

Grey (RAL 7035) *	●	MLE0004A26	MLE0006A26
-------------------	---	------------	------------

Technical data

Width / Height / Length (mm)	264 / 236 / 33	140 / 170 / 24
Weight (g)	132	83
Package (pcs)	50	240
Material	PS	PS

* (On request, we can make other colors RAL – min. order quantity 300 pieces)