

Distribution blocks Moblock are offered in two-pole (up to 35 mm² and 125A) and four-pole (up to 50 mm² and 160A) versions. Terminal blocks are placed on isolated brackets and are covered with easily removable transparent plastic cover. Terminal blocks are covered with a plastic part also from the bottom and between each busbar an insulating barrier is included.

Installation is possible on the DIN rail or panel using screws. Conductive part is made of brass, the connecting parts are made of steel, Zn galvanized.

For convenient and easy connection the 160A type input is separated on the busbar from the outputs. Massive 50 mm² endpoint on the busbar does not limit current capacity of the block and is set into the reinforced plastic housing.



**Moblock 2P
100A-7**

**Moblock 2P
125A-11**

**Moblock 2P
125A-15**

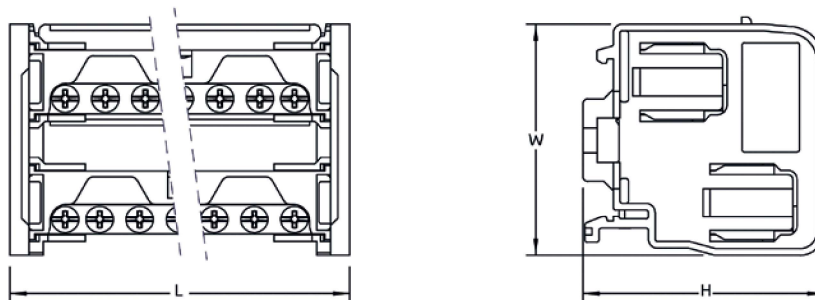
Order code

	MAB2100A18	MAB2125A18	MAB2126A18
--	------------	------------	------------

Technical data

Conductor cross section (per pole)			
Input wire CU (mm ²)	2 x 10 - 25	2 x 10 - 35	2 x 10 - 35
Output wire CU (mm ²)	5 x 1,5 - 6	7 x 1,5 - 6 / 2 x 10 - 25	11 x 1,5 - 6 / 2 x 10 - 25
Nominal voltage AC / DC (V)	1000	1000	1000
Nominal current (A)	100	125	125
Width / Height / Length (mm)	49 / 52 / 72	49 / 52 / 109	49 / 52 / 137
Short-circuit current peak I _{pk} (kA)	20	19	19
Short-circuit resistance (kA / 1s)	3	4,2	4,2
Rated surge voltage (kV)	8	8	8
Min. length of insulated wire (mm)	13	13	13
Tightening torque (Nm)	2,5	2,5	2,5
Mounting	DIN rail, screw	DIN rail, screw	DIN rail, screw
Weight (g)	95	150	200
Package (pcs)	4	2	2

Dimensions





Order code	Moblock 4P 100A-7	Moblock 4P 125A-11	Moblock 4P 125A-15	Moblock 4P 160A-9	Moblock 4P 160A-14
	MAB4100A18	MAB4125A18	MAB4126A18	MAB4160A18	MAB4161A18

Technical data					
Conductor cross section (per pole)					
Input wire CU (mm ²)	2 x 10 - 25	2 x 10 - 35	2 x 10 - 35	1 x 10 - 50	1 x 10 - 50
Output wire CU (mm ²)	5 x 1,5 - 6	7 x 1,5 - 6 / 2 x 10 - 25	11 x 1,5 - 6 / 2 x 10 - 25	6 x 1,5 - 16 / 2 x 10 - 35	9 x 1,5 - 16 / 4 x 10 - 35
Nominal voltage AC / DC (V)	500	500	500	500	500
Nominal current (A)	100	125	125	160	160
Width / Height / Length (mm)	97 / 52 / 71	97 / 52 / 108	97 / 52 / 137	99 / 54 / 131	99 / 54 / 181
Short-circuit current peak I _{pk} (kA)	20	19	19	28	28
Short-circuit resistance (kA/1s)	3	4,2	4,2	6	6
Rated surge voltage (kV)	8	8	8	8	8
Min. length of insulated wire (mm)	13	13	13	13	13
Tightening torque (Nm)	2,5	2,5	2,5	2,5 (input wire 10 Nm)	2,5 (input wire 10 Nm)
Mounting	DIN rail, screw	DIN rail, screw	DIN rail, screw	DIN rail, screw	DIN rail, screw
Weight (g)	190	294	395	574	789
Package (pcs)	2	1	1	1	1

Dimensions

