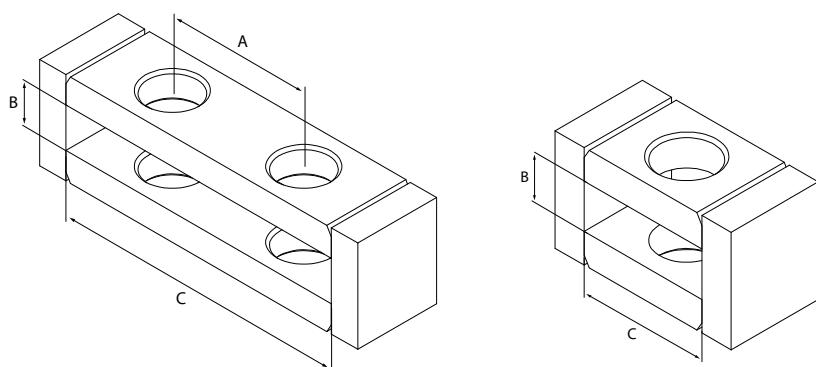


Drilling tool for Moflex is designed to drill the correct hole to the multiple layer flexibars. Combining suitable width drilling tool with right hole size drilling guide, will give big variety of the drilling holes to the flexibars.

NEW



Drilling tool for Moflex

Order code	Product name	Flexibar max. width (mm)	Dimensions (mm)		
			A	B	C
MMA0001E30	MD16	15,5 x 0,8 x 10	-	15	16
MMA0002E30	MD20	20 x 1 x 10	-	15	20,5
MMA0003E30	MD24	24 x 1 x 10	-	15	24,5
MMA0004E30	MD32	32 x 1 x 10	-	15	32,5
MMA0005E30	MD40	40 x 1 x 10	-	15	40,5
MMA0006E30	MD50	50 x 1 x 10	-	15	50,5
MMA0007E30	MD63	63 x 1 x 10	-	15	63,5
MMA0008E30	MD80	80 x 1 x 10	40	15	80,5
MMA0009E30	MD100	100 x 1 x 10	50	15	101
MMA0010E30	MD120	120 x 1 x 10	60	15	121

Drilling guide for drilling tool



Drilling tool for Moflex

Drilling guide for drilling tool

Order code	Product name	Drilling hole
MMA0011E30	DG7	6
MMA0012E30	DG9	8
MMA0013E30	DG11	10
MMA0014E30	DG13	12