

# Distribution blocks OJL

1000 V  
AC/DC

Bimetal  
(Al/Cu)

Up to  
400 A  
240 mm<sup>2</sup>

Class A

Certified according to  
standards EN 61238-1  
and EN 60947-7-1



Distribution blocks OJL are intended for distributing conductors with larger cross-section to several smaller ones. These blocks are provided in 9 standard designs with a nominal connecting cross-section of 35 mm<sup>2</sup> Al/Cu (6 outputs for copper cable), 70 mm<sup>2</sup> Al/Cu (6 outputs for copper cable), 120 mm<sup>2</sup> Al/Cu (11 outputs for copper cable) and 240 mm<sup>2</sup> Al/Cu (7 outputs for copper cable). AF and AFS models are designed for connecting (input) of flexible busbars 10 x 25 mm or several other bars of 1 x 25 mm (look more

about insulated copper flexible busbars Moflex on page 67).

The screws are tightened by a hexagonal key. Blocks can be installed on a standard DIN rail or can be mounted using screws on a flat solid surface. Maximum operating temperature is 80 °C. Cover sealing is possible on AS and AFS models. Housing for all design types has a protection class IP20.



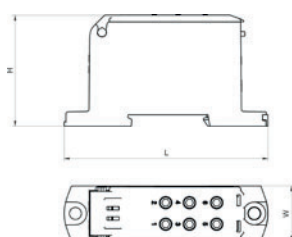
		OJL 135A	OJL 200A	OJL 280A
Black / Grey		MAB1135S10	MAB1201S10	MAB1281S10
Blue / Grey		MAB1135B10	MAB1201B10	MAB1281B10
Green / Grey		MAB1135G10	MAB1201G10	MAB1281G10

### Technical data

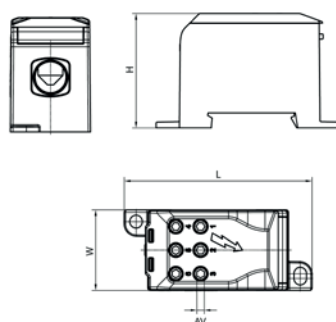
Conductor cross-section				
Input wire Al/Cu (mm <sup>2</sup> )		1 x  2,5 - 35	1 x  10 - 70	1 x  35 - 120
		1 x  2,5 - 10		
Output wire Cu (mm <sup>2</sup> )		4 x  2,5 - 16	6 x  2,5 - 16	4 x  2,5 - 10
		2 x  2,5 - 10		5 x  2,5 - 16
				2 x  6 - 35
Nominal voltage AC / DC (V)		1000	1000	1000
Nominal current (A)		135 (Cu) / 120 (Al)	200 (Cu) / 160 (Al)	280 (Cu) / 250 (Al)
Width / Height / Length (mm)		24,3 / 49 / 90	32,4 / 46 / 75,8	44,4 / 51 / 97
Screw, hexagonal key		No. 3 / 4	No. 3 / 5	No. 3 / 4 / 6
Tightening torque (Nm)		3 Nm (2,5 - 16 mm <sup>2</sup> ) 6 Nm (25 - 35 mm <sup>2</sup> )	3 Nm (2,5 - 16 mm <sup>2</sup> ) 6 Nm (25 - 35 mm <sup>2</sup> ) 10 Nm (50 - 70 mm <sup>2</sup> ) -	3 Nm (2,5 - 16 mm <sup>2</sup> ) 6 Nm (25 - 35 mm <sup>2</sup> ) 10 Nm (50 - 70 mm <sup>2</sup> ) 19 Nm (95 - 120 mm <sup>2</sup> )
Mounting		DIN rail, screw	DIN rail, screw	DIN rail, screw
Weight (g)		75	84	178
Package (pcs)		20	24	12

## Dimensions

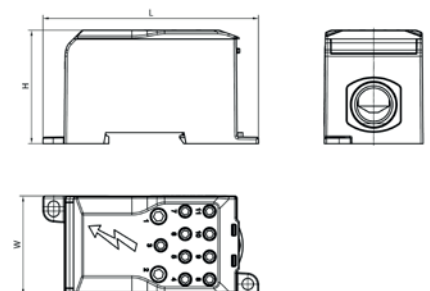
OJL 135A



OJL 200A



OJL 280A





OJL 400A

OJL 400AS\*

OJL 400AF

OJL 400ASF\*

Black / Grey		MAB1401S10	MAB1402S10	MAB1403S10	MAB1404S10
Blue / Grey		MAB1401B10	-	MAB1403B10	-
Green / Grey		MAB1401G10	-	MAB1403G10	-

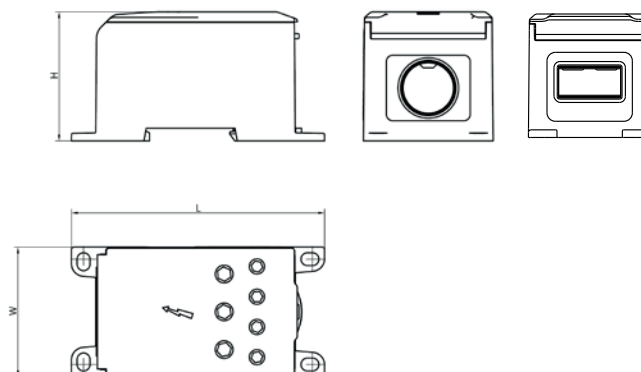
**Technical data**

<b>Conductor cross-section</b>	
Input wire Al/Cu (mm <sup>2</sup> )	1 x  95 - 240
Output wire Cu (mm <sup>2</sup> )	4 x  2,5 - 35 3 x  6 - 50
Nominal voltage AC / DC (V)	1000
Nominal current (A)	425 (Cu) / 380 (Al)
Width / Height / Length (mm)	51,4 / 51,2 / 100,3
Screw, hexagonal key	No. 4 / 5 / 8
Tightening torque (Nm)	6 Nm (2,5 - 35 mm <sup>2</sup> ) 10 Nm (6 - 50 mm <sup>2</sup> ) 19 Nm (95 - 240 mm <sup>2</sup> )
Mounting	DIN rail, screw
Weight (g)	250
Package (pcs)	8

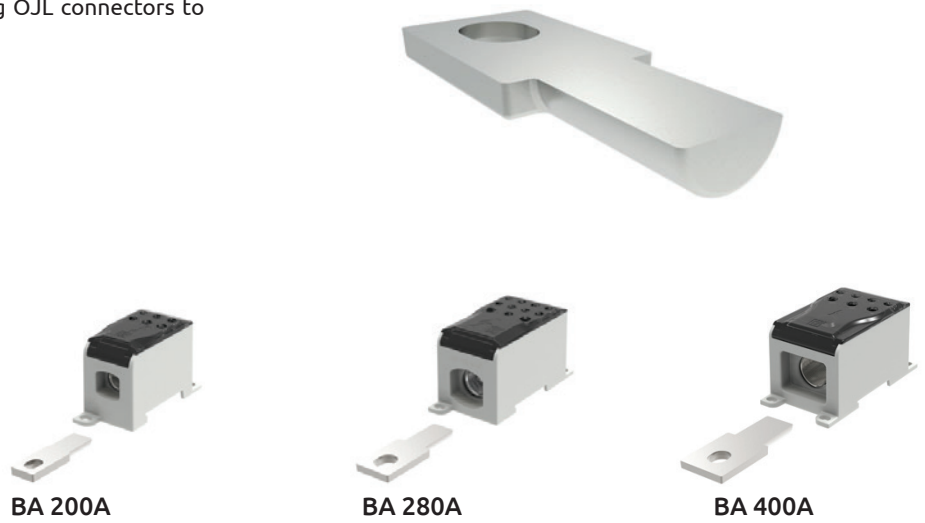
\* Model can be sealed.

**Dimensions**

OJL 400A



OJL busbar adapters are used for connecting OJL connectors to copper or aluminium busbars.  
Materials: Tin plated copper



Grey	MAB1201EBA	MAB1281EBA	MAB1401EBA
------	------------	------------	------------

Technical data			
D	9,8	13,8	13,8
H	5,95	7,25	9,75
H1	4,8	5	5,2
L	45	61	70
W	14	23	30
W1	6,8	10,8	10,8
Weight (g)	22	49	90
Package (pcs)	24	12	8

## Dimensions

