

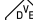







R15 - 2 CO, 3 CO


industrial relays of small dimensions



- Relays of general application • For plug-in sockets: on 35 mm rail mount acc. to EN 60715; on panel mounting; with terminals for soldering
- Coils AC and DC, insulation class F: 155 °C • WT (mechanical indicator + lockable front test button) - standard features of relays in cover, for plug-in sockets. Relays may be provided with the test buttons (no latching) and plugs - page 7 • **Have obtained LR Type Approval Certificate (Lloyd's Register)** • Recognitions, certifications, directives: RoHS, AUCOTEAM GmbH Berlin - railroad standard,       

Contact data

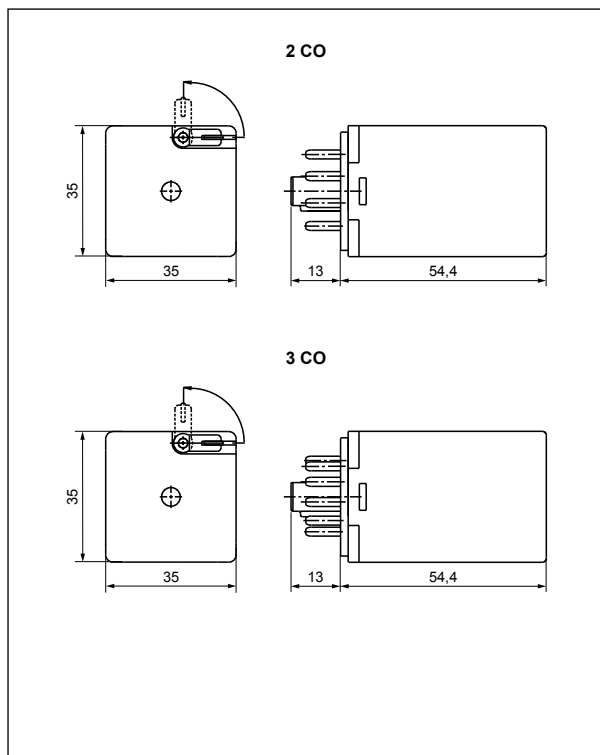
Number and type of contacts	2 CO, 3 CO	
Contact material	AgNi , AgNi/Au flash gold plating, AgNi/Au hard gold plating	
Rated / max. switching voltage	AC	250 V / 440 V
Min. switching voltage	10 V AgNi, 10 V AgNi/Au flash gold plating 5 V AgNi/Au hard gold plating	
Rated load (capacity)	AC1	10 A / 250 V AC
	AC15	3 A / 120 V
	DC1	10 A / 24 V DC (see Fig. 3)
	DC13	0,22 A / 120 V
Motor load	acc. to UL 508 AC3 acc. to IEC 60947-4-1	10 A / 277 V AC UL 508 1,5 A / 240 V (B300) 0,1 A / 250 V (R300) 1/2 HP 240 V AC, 4,9 FLA, single-phase motor  0,37 kW 240 V AC, single-phase motor
Min. switching current	5 mA	
Max. inrush current	20 A	
Rated current	10 A	
Max. breaking capacity	AC1	2 500 VA
Min. breaking capacity	0,3 W AgNi, 0,3 W AgNi/Au flash gold plating 0,05 W AgNi/Au hard gold plating	
Contact resistance	≤ 100 mΩ	
Max. operating frequency	• at rated load AC1 • no load	1 200 cycles/hour 12 000 cycles/hour
Coil data		
Rated voltage	50/60 Hz AC DC	6, 12, 24 , 48, 60, 115, 120, 220, 230 , 240 V 6, 12 , 24 , 48, 60, 110, 120, 220 V
Must release voltage	AC: ≥ 0,15 U _n DC: ≥ 0,1 U _n	
Operating range of supply voltage	see Tables 1, 2	
Rated power consumption	AC DC	2,8 VA 50 Hz 2,5 VA 60 Hz 1,5 W
Insulation according to EN 60664-1		
Insulation rated voltage	250 V AC	
Rated surge voltage	2 500 V 1,2 / 50 μs	
Overvoltage category	III	
Insulation pollution degree	3	
Dielectric strength	type of insulation: basic	
• between coil and contacts	2 500 V AC	type of insulation: basic
• contact clearance	1 500 V AC	type of clearance: micro-disconnection
• pole - pole	2 000 V AC	type of insulation: basic
Contact - coil distance	• clearance • creepage	≥ 3 mm ≥ 4,2 mm
General data		
Operating / release time (typical values)	AC: 12 ms / 10 ms	DC: 18 ms / 7 ms
Electrical life	• resistive AC1 • cosφ	≥ 2 x 10 ⁵ 10 A, 250 V AC see Fig. 2
Mechanical life (cycles)	≥ 2 x 10 ⁷	
Dimensions (L x W x H)	35 x 35 x 54,4 mm	
Weight	83 g	
Ambient temperature	• storage (non-condensation and/or icing)	-40...+85 °C
	• operating	AC: -40...+55 °C DC: -40...+70 °C
Cover protection category	IP 20 (with socket PZ8, PZ11) EN 60529	
Environmental protection	RTI EN 61810-7	
Shock resistance	10 g	
Vibration resistance	5 g 10...150 Hz	
Solder bath temperature	max. 270 °C	
Soldering time	max. 5 s	

The data in bold type relate to the standard versions of the relays.  For single phase motors for 110-120 V AC do not use motors with higher FLA than given for 240 V AC.

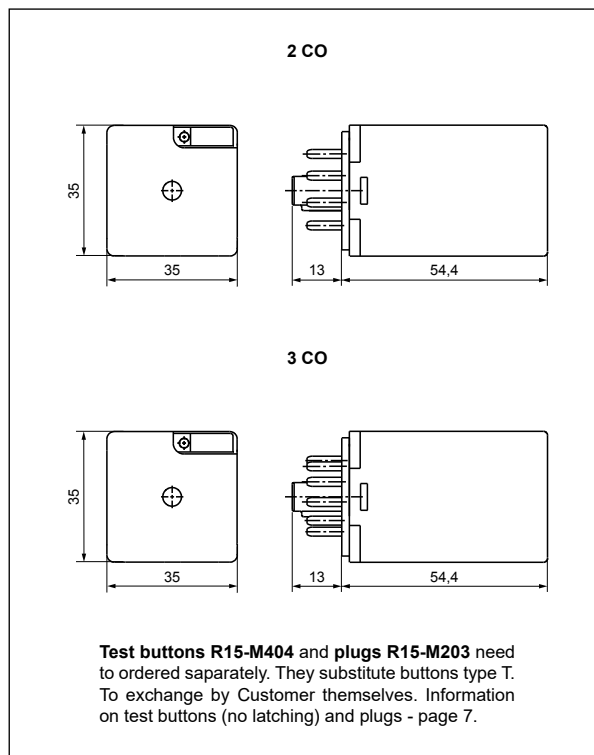
R15 - 2 CO, 3 CO

industrial relays of small dimensions

Dimensions - plug-in version (WT), with lockable front test button type T



Dimensions - plug-in version, with test button (no latching) or with plug (no manual operation)



Mounting, sockets and accessories for relays

Relays **R15 - 2 CO, 3 CO** are designed for mounting in plug-in sockets. **With WT features as standard (W - mechanical indicator + T - lockable front test button)**. In these relays is **possibility self-exchange of button type T for test button R15-M404 (no latching) or on plug R15-M203 (no manual operation)**. The buttons **R15-M404** and the plugs **R15-M203** need to be ordered separately.

Sockets for R15 - 2 CO	Sockets for R15 - 3 CO	Accessories		Additional features
		Spring wire clips	Description plates	
Screw terminals sockets, 35 mm rail mount (EN 60715) or on panel mounting (two M3 screws)				
PZ8	PZ11	PZ11 0031	—	—
GZP8	GZP11	GZP-0054	GZP-0035	time modules Ⓣ
Screw terminals sockets, 35 mm rail mount (EN 60715)				
GZU8	GZU11	GZU 1052	—	—
Screw terminals sockets, on panel mounting (two M3 screws)				
GZ8	GZ11	GZ 1050	—	—
Solder terminals sockets				
GOP8	GOP11	R159 1051 Ⓣ	—	—

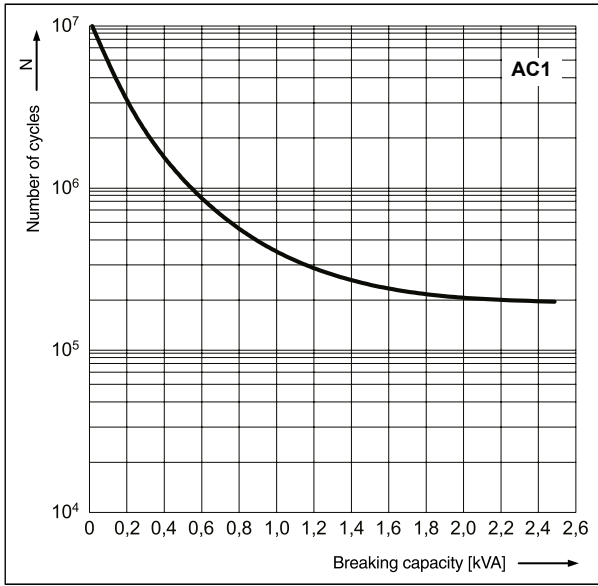
Ⓣ Time modules COM3 - see www.repol.com.pl

Ⓣ Set R159 1051: spring wire clip and two spring clamps.

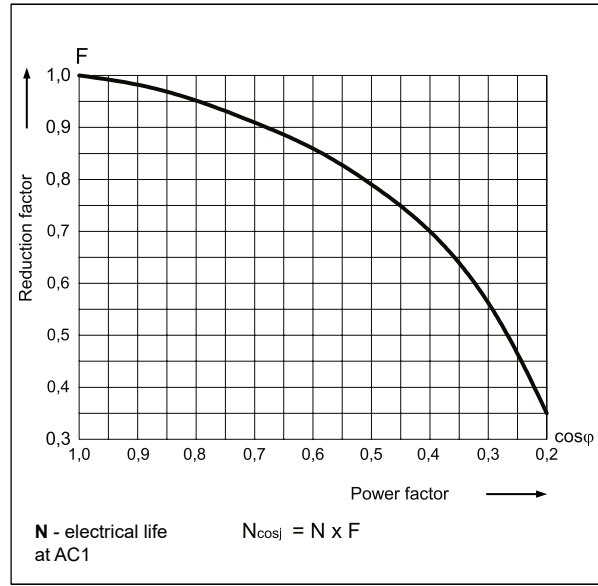
R15 - 2 CO, 3 CO

industrial relays of small dimensions

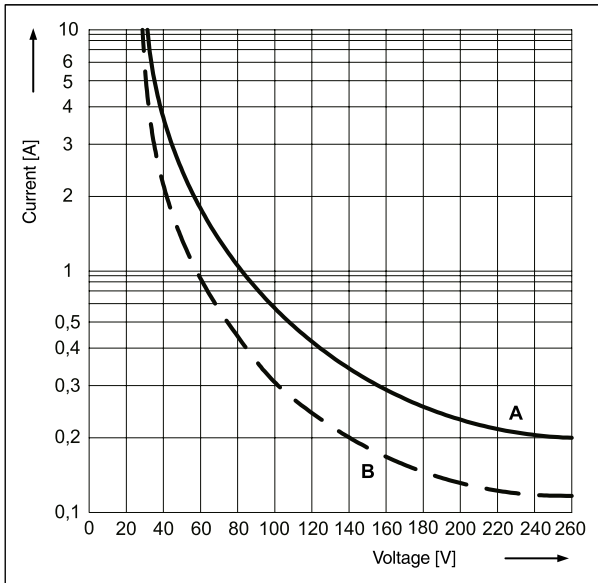
Electrical life at AC resistive load.
Switching frequency: 1 200 cycles/hour Fig. 1



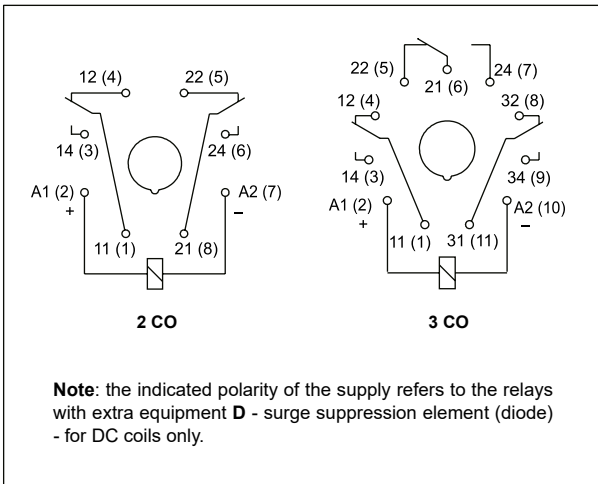
Electrical life reduction factor at AC inductive load Fig. 2



Max. DC breaking capacity
A - resistive load DC1
B - inductive load L/R = 40 ms Fig. 3



Connection diagrams (pin side view)



R15T, PIR15.T

Relays for railroad industry
- see www.repol.com.pl

NEW



R15 - 2 CO, 3 CO

industrial relays of small dimensions

Coil data - DC voltage version

Table 1

Coil code	Rated voltage V DC	Coil resistance at 20 °C Ω	Acceptable resistance	Coil operating range V DC	
				min. (at 20 °C)	max. (at 70 °C)
1006	6	28	$\pm 10\%$	4,8	6,6
1012	12	110	$\pm 10\%$	9,6	13,2
1024	24	430	$\pm 10\%$	19,2	26,4
1048	48	1 750	$\pm 10\%$	38,4	52,8
1060	60	2 700	$\pm 10\%$	48,0	66,0
1110	110	9 200	$\pm 10\%$	88,0	121,0
1120	120	11 000	$\pm 10\%$	96,0	132,0
1220	220	37 000	$\pm 10\%$	176,0	242,0

The data in bold type relate to the standard versions of the relays.

Coil data - AC 50/60 Hz voltage version

Table 2

Coil code	Rated voltage V AC	Coil resistance at 20 °C Ω	Acceptable resistance	Coil operating range V AC	
				min. (at 20 °C)	max. (at 55 °C)
5006	6	4,3	$\pm 15\%$	4,8	6,6
5012	12	18,5	$\pm 15\%$	9,6	13,2
5024	24	75	$\pm 15\%$	19,2	26,4
5048	48	305	$\pm 15\%$	38,4	52,8
5060	60	475	$\pm 15\%$	48,0	66,0
5115	115	1 840	$\pm 15\%$	92,0	126,5
5120	120	1 910	$\pm 15\%$	96,0	132,0
5220	220	6 980	$\pm 15\%$	176,0	242,0
5230	230	7 080	$\pm 15\%$	184,0	253,0
5240	240	7 760	$\pm 15\%$	192,0	264,0

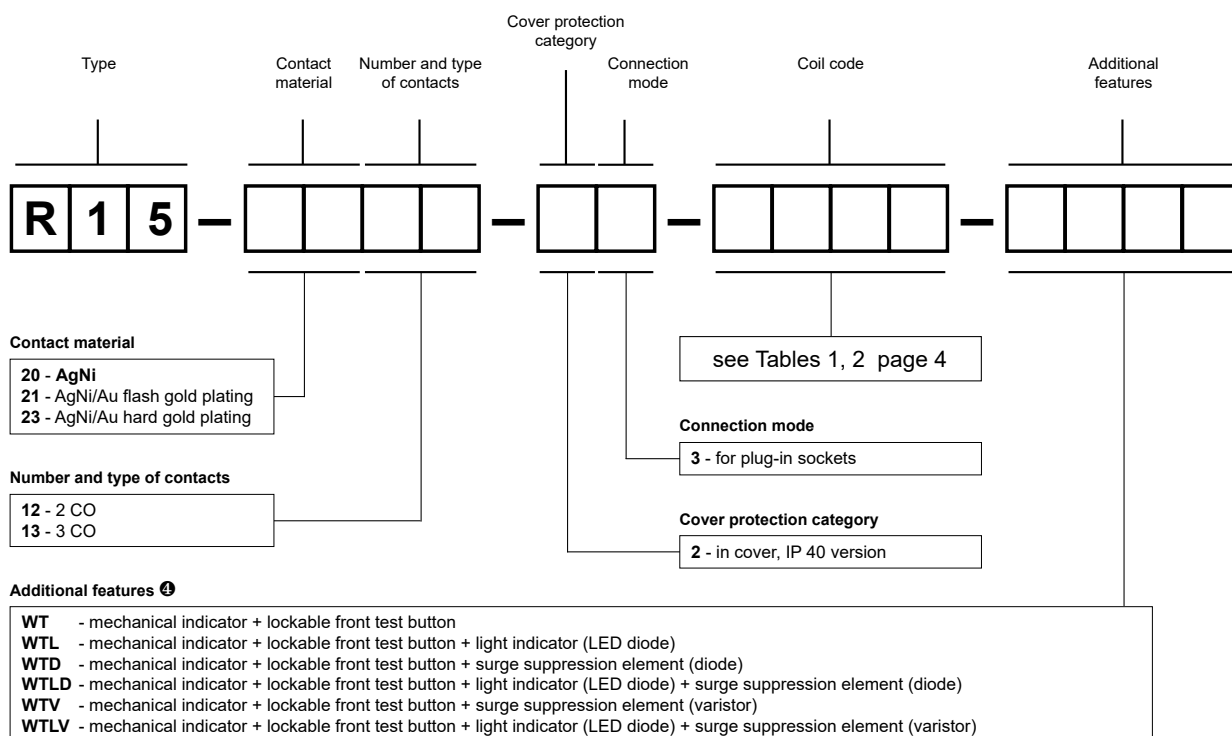
The data in bold type relate to the standard versions of the relays.



R15 - 2 CO, 3 CO

industrial relays of small dimensions

Ordering codes



④ **WT** - standard features of relays for plug-in sockets. **WTD, WTLV** - only for DC coils, **WTV, WTLV** - only for AC coils

Test buttons (no latching) and plugs need to be ordered separately. They substitute buttons type T. To be exchanged by the customer themselves.

Information on test buttons (no latching) and plugs - page 7.

- Button R15-M404-A - orange colour (AC coils)
- Button R15-M404-D - green colour (DC coils)
- Plug R15-M203-A - orange colour (AC coils)
- Plug R15-M203-D - green colour (DC coils)

Note:

While the relay operates, the test button of the **T** type becomes heated. In order to push the test button manually, you should first turn the supply voltage off, and wait some time until the button becomes colder (or push the button immediately using a protective glove or an insulated tool). The button shall be pushed smoothly and quickly. The normally open contacts are closed with the button for the time during which the button is pushed. Releasing the button opens the normally open contacts. Normally open contacts may be closed with the blocking function of the button (it shall be turned by 90°). When the button is turned back, the normally open contacts are opened.

For relays with additional features **D** - surge suppression element (diode) (versions **WTD** and **WTLV**) - fixed supply polarity compulsory for the DC load of coils: +A1(2) / -A2(7) for R15 - 2 CO and +A1(2) / -A2(10) for R15 - 3 CO. The polarity is indicated on the relay cover. For other versions of the relays with DC coils any polarity is possible.

Examples of ordering codes:



R15-2012-23-1024-WT

relay **R15**, for plug-in sockets, two changeover contacts, contact material AgNi, coil voltage 24 V DC, with mechanical indicator and lockable front test button, in cover IP 40

R15-2013-23-5230-WTL



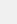

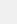

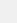
relay **R15**, for plug-in sockets, three changeover contacts, contact material AgNi, coil voltage 230 V AC 50/60 Hz, with mechanical indicator and lockable front test button and light indicator (LED diode), in cover IP 40

Additional features for industrial relays

Industrial relays for plug-in sockets: R2N, R3N, R4N, R15 - 2 CO , R15 - 3 CO  with **WT features as standard** (**W** - mechanical indicator + **T** - lockable front test button). **Detailed information** on additional features of individual relays can be found in the data sheets on the side of "Ordering codes".

Note:

While the relay operates, the test button of the **T** type becomes heated. In order to push the test button manually, you should first turn the supply voltage off, and wait some time until the button becomes colder (or push the button immediately using a protective glove or an insulated tool). The button shall be pushed smoothly and quickly. The normally open contacts are closed with the button for the time during which the button is pushed. Releasing the button opens the normally open contacts. Normally open contacts may be closed with the blocking function of the button (it shall be turned by 90°). When the button is turned back, the normally open contacts are opened.

Type 	Description	For industrial relays
W	mechanical indicator	R2N, R3N, R4N, (R15 - 2 CO, 3 CO )
T	lockable front test button, orange colour - AC coils, green colour - DC coils	R2N, R3N, R4N, (R15 - 2 CO, 3 CO )
L	light indicator (LED diode), located inside the relay	R2N, R3N, R4N, RY2, (R15 - 2 CO, 3 CO, 4 CO ) RUC, RUC-M
D	surge suppression element (diode) - only for DC coils	R2N, R3N, R4N, RY2, (R15 - 2 CO, 3 CO, 4 CO )
V	surge suppression element (varistor) - only for AC coils	(R15 - 2 CO, 3 CO )
K	test button without block function	(R15 - 4 CO ), RUC

Available combinations:

WT, WTL, WTD, WTL D - in relays R2N, R3N, R4N for plug-in sockets


L, D, LD - in relays RY2 for plug-in sockets

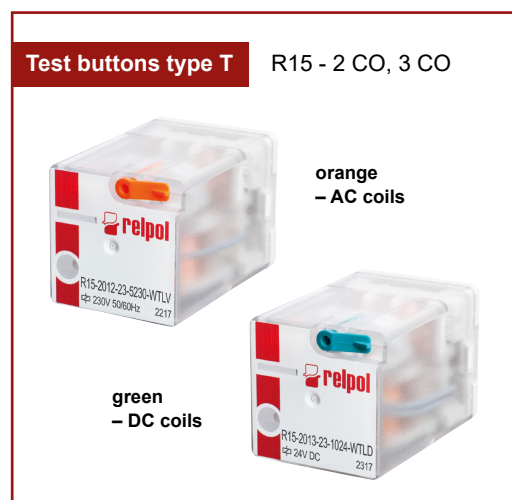
WT, WTL, WTD, WTL D, WTV, WTL V - in relays R15 - 2 CO, 3 CO for plug-in sockets

K, L, D, KL, KD, LD, KLD - in relays R15 - 4 CO for plug-in sockets

K, L, KL - in relays RUC

L - in relays RUC-M

 Voltage versions, in covers



Test buttons (no latching) and plugs

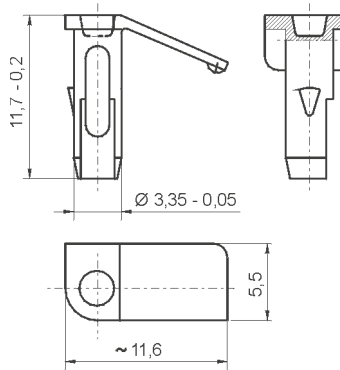
Test buttons (no latching) are recommended for R2N...WT, R3N...WT, R4N...WT, R15...WT 2 CO, R15...WT 3 CO relays - **for applications that do not allow permanent contact latching**. By manual operation (pressing the button) relay contacts can get switched for as long time as long the button is pressed. Contacts return to initial position as soon as pressure is released from the button. Those operations can be done while the coil is deenergized Ⓢ.

Button **R4P-0001** or **R15-M404** can be easily inserted by the Customer after removal of button type **T** (see Fig. 2). Button type **T** can be removed with screwdriver as shown on Fig. 1.

Ⓢ While the relay operates, the test button becomes heated. In order to push the test button manually, you should first turn the supply voltage off, and wait some time until the button becomes colder (or push the button immediately using a protective glove or an insulated tool). The button shall be pushed smoothly and quickly.

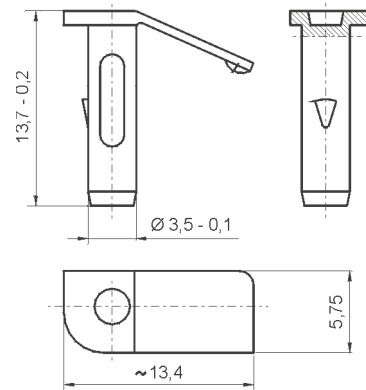


Dimensions - test button R4P-0001 for R2N...WT, R3N...WT, R4N...WT



Types of buttons:
R4P-0001-A - orange colour (AC coils)
R4P-0001-D - green colour (DC coils)

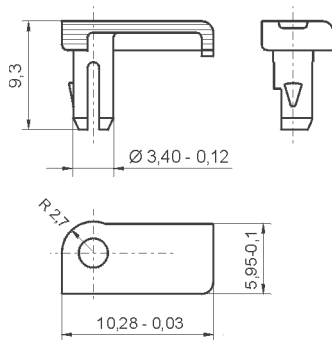
Dimensions - test button R15-M404 for R15...WT 2 CO, R15...WT 3 CO



Types of buttons:
R15-M404-A - orange colour (AC coils)
R15-M404-D - green colour (DC coils)

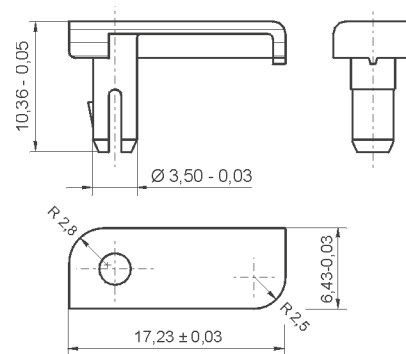
Plugs R4W-0003 or **R15-M203** can substitute button type **T** if **manual operation (latching and testing) is not allowed**. Changing button type **T** for plug can be done by Customer themselves in the same way as changing button type **T** for button (no latching).

Dimensions - plug R4W-0003 for R2N...WT, R3N...WT, R4N...WT



Types of plugs:
R4W-0003-A - orange colour (AC coils)
R4W-0003-D - green colour (DC coils)

Dimensions - plug R15-M203 for R15...WT 2 CO, R15...WT 3 CO



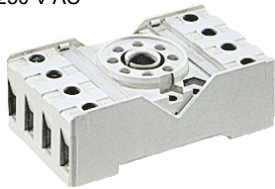
Types of plugs:
R15-M203-A - orange colour (AC coils)
R15-M203-D - green colour (DC coils)

Plug-in sockets and accessories

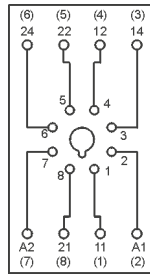
PZ8

For R15 - 2 CO

Screw terminals
Max. tightening moment
for the terminal: 0,7 Nm
35 mm rail mount
acc. to EN 60715
or on panel mounting
68,2 x 38 x 24,2 mm
Two poles
10 A, 250 V AC

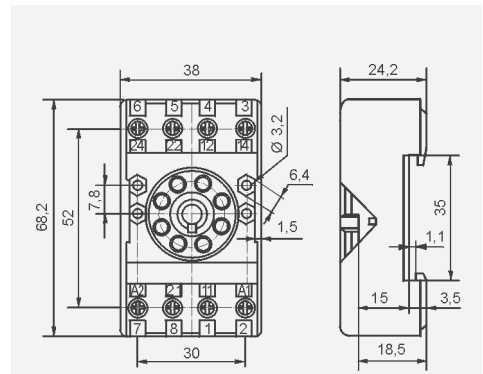


Connection diagram



PZ11 0031

Dimensions



Accessories

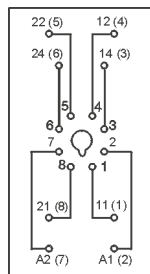
GZU8

For R15 - 2 CO

Screw terminals
Max. tightening moment
for the terminal: 0,7 Nm
35 mm rail mount
acc. to EN 60715
82 x 35,5 x 25,7 mm
Two poles
10 A, 250 V AC

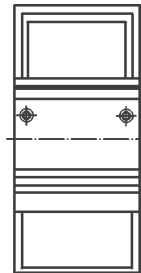


Connection diagram

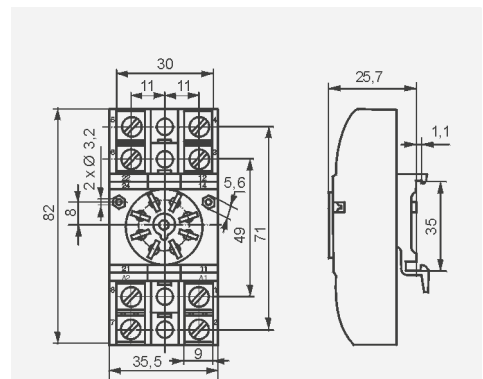


GZU 1052

Adaptor



Dimensions

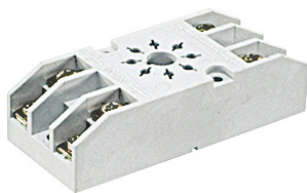


Accessories

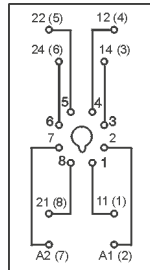
GZ8

For R15 - 2 CO

Screw terminals
Max. tightening moment
for the terminal: 0,7 Nm
On panel mounting
82,8 x 35,5 x 22,5 mm
Two poles
10 A, 250 V AC

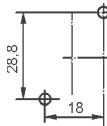


Connection diagram

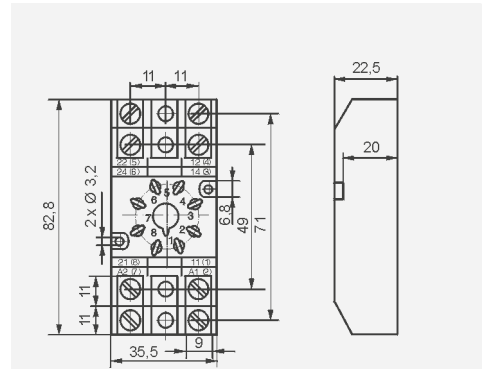


GZ 1050

Mounting dimensions



Dimensions



Accessories

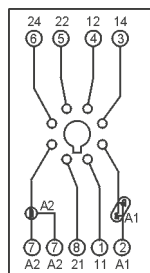
GZP8

For R15 - 2 CO

Screw terminals
Max. tightening moment
for the terminal: 0,5 Nm
35 mm rail mount
acc. to EN 60715
or on panel mounting
73 x 38,2 x 27,2 mm
Two poles
12 A, 300 V AC



Connection diagram



GZP-0054

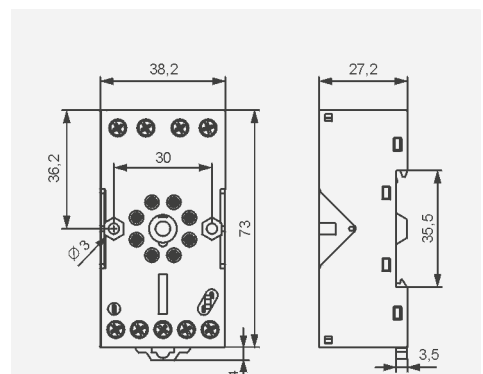


Time module COM3



GZP-0035

Dimensions



Accessories

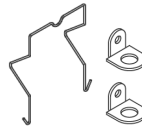
Have obtained LR Type Approval Certificate (Lloyd's Register).

Plug-in sockets and accessories

GOP8

For R15 - 2 CO

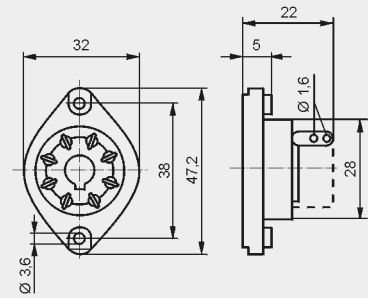
Solder terminals
47,2 x 32 x 22 mm
Two poles
10 A, 250 V AC



Accessories

R159 1051

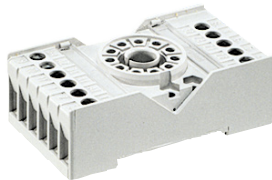
Dimensions



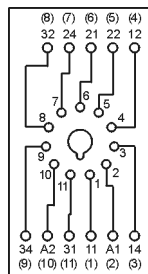
PZ11 ①

For R15 - 3 CO

Screw terminals
Max. tightening moment
for the terminal: 0,7 Nm
35 mm rail mount
acc. to EN 60715
or on panel mounting
68,2 x 38 x 24,2 mm
Three poles
10 A, 250 V AC



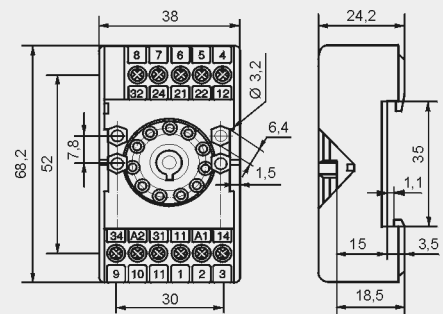
Connection diagram



Accessories

PZ11 0031

Dimensions



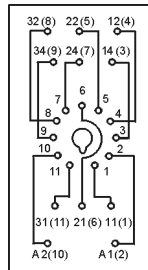
GZU11

For R15 - 3 CO

Screw terminals
Max. tightening moment
for the terminal: 0,7 Nm
35 mm rail mount
acc. to EN 60715
82 x 35,5 x 25,7 mm
Three poles
10 A, 250 V AC



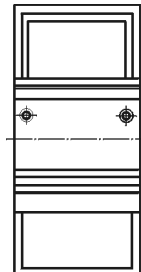
Connection diagram



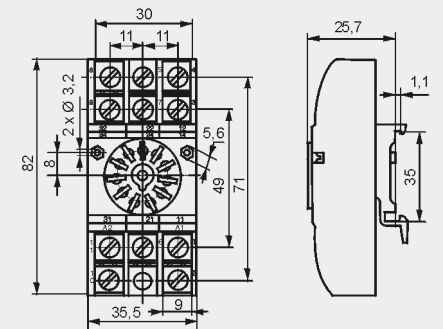
Accessories

GZU 1052

Adaptor



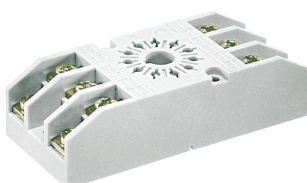
Dimensions



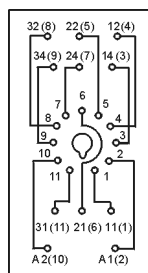
GZ11

For R15 - 3 CO

Screw terminals
Max. tightening moment
for the terminal: 0,7 Nm
On panel mounting
82,8 x 35,5 x 22,5 mm
Three poles
10 A, 250 V AC



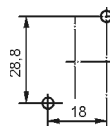
Connection diagram



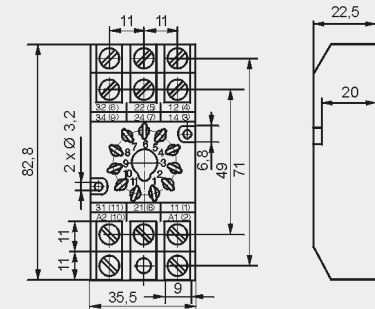
Accessories

GZ 1050

Mounting dimensions



Dimensions



① Have obtained LR Type Approval Certificate (Lloyd's Register).

Plug-in sockets and accessories

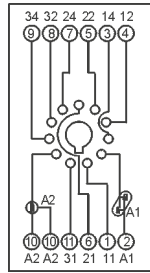
GZP11

For R15 - 3 CO

Screw terminals
 Max. tightening moment
 for the terminal: 0,5 Nm
 35 mm rail mount
 acc. to EN 60715
 or on panel mounting
 73 x 38,2 x 27,2 mm
 Three poles
 12 A, 300 V AC



Connection diagram



Time module COM3



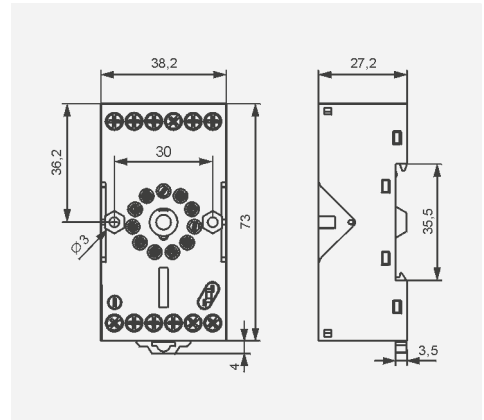
GZP-0054



GZP-0035

Accessories

Dimensions



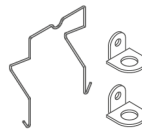
GOP11

For R15 - 3 CO

Solder terminals
 47,2 x 32 x 22 mm
 Three poles
 10 A, 250 V AC

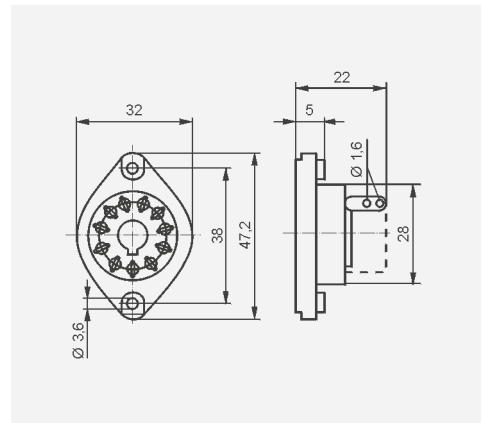


Accessories



R159 1051

Dimensions



PRECAUTIONS:

1. Ensure that the parameters of the product described in its specification provide a safety margin for the appropriate operation of the device or system and never use the product in circumstances which exceed the parameters of the product. 2. Never touch any live parts of the device. 3. Ensure that the product has been connected correctly. An incorrect connection may cause malfunction, excessive heating or risk of fire. 4. In case of any risk of any serious material loss or death or injuries of humans or animals, the devices or systems shall be designed so to equip them with double safety system to guarantee their reliable operation.