

Single grommets are cable grommets with various design for leading through both low and medium power current cables as well as various types of tubing. These are suitable for in- and outdoor applications and available for both PG-and mm-openings.

Single grommets are available in many different polymers with different characteristics, such as weather, UV-and ozone resistance, oil resistance and RoHS compliance.

Models T-VET and T-GET are new design which can be used as sealing plug. Both these designs give absolute protection against dust and strong jets of water and also against effects of immersion between 15 cm and 1 m (IP67).

Single grommets T-VET and T-GET are available as standard of TPE-material. As a request also other colors and materials like conductive EMC-material are available.

Single grommets T-VET and T-GET are inspected and certified by SGS Fimko, the Finnish authority in charge of electrical equipment safety standards.



Installation



Make a hole of appropriate size to blind plate or knock-out plate. Avoid rough and sharp edges.



Place the grommet on the hole and pull it firmly to its place.



Make a small hole into the membrane using a screwdriver or cut the top of the cone using side cutters.



Push the cable or tube through the guide hole.



(Back side) Pull the cable or tube back for some 20 mm to lock it.

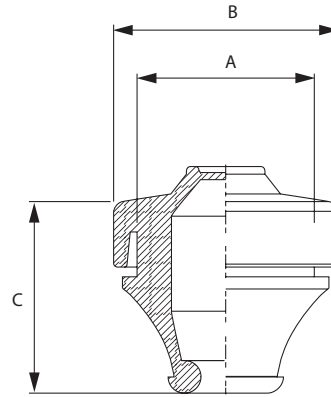


(Front side) Pull the cable or tube back for some 20 mm to lock it.

Single grommets T-VET are designed for leading through both low and medium power current cables and also various types of tubing. Suitable for in- and outdoor applications. They fit to openings made with Dimensions of PG. Model T-VET has a new double seal design where top side of the grommet is closed and therefore it is possible to use it as plug.

Technical specifications

- IP67 total protection against ingress of dust and protection against the effects of immersion between 15,0 cm and 1,0 m
- Made of TPE material
- Flame resistant UL 94 V-0 (look at product table)
- Plate wall thickness between 1 - 4 mm.
- Available for cables with 3 to 35 mm diameter
- Operating temperature from -40 °C to +100 °C



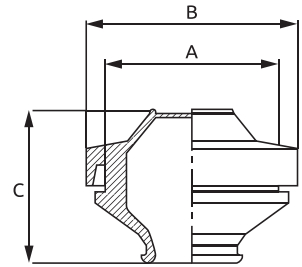
| Order code | Cable diameter (mm) | Color | Shade | Classification | Dimensions (mm) | | | Weight (g) | Package (pcs) |
|------------|---------------------|-------|----------|--------------------------|-----------------|------|----|------------|---------------|
| | | | | | A | B | C | | |
| MBB0105G11 | 3 - 5 | Grey | RAL 7042 | | 13 | 20 | 17 | 2,7 | 50 |
| MBB0105X11 | | Grey | RAL 7035 | UL 94 V-0 | | | | 3,4 | |
| MBB0105B11 | | Black | | UL 94 V-0, oil resistant | | | | | |
| MBB0107G11 | 5 - 7 | Grey | RAL 7042 | | 16 | 20 | 19 | 3,1 | 50 |
| MBB0107X11 | | Grey | RAL 7035 | UL 94 V-0 | | | | 3,5 | |
| MBB0107B11 | | Black | | UL 94 V-0, oil resistant | | | | | |
| MBB0110G11 | 7 - 10 | Grey | RAL 7042 | | 19 | 24 | 21 | 4,3 | 50 |
| MBB0110X11 | | Grey | RAL 7035 | UL 94 V-0 | | | | 5 | |
| MBB0110B11 | | Black | | UL 94 V-0, oil resistant | | | | | |
| MBB0114G11 | 10 - 14 | Grey | RAL 7042 | | 23 | 29 | 23 | 6,7 | 50 |
| MBB0114X11 | | Grey | RAL 7035 | UL 94 V-0 | | | | 7,8 | |
| MBB0114B11 | | Black | | UL 94 V-0, oil resistant | | | | | |
| MBB0120G11 | 14 - 20 | Grey | RAL 7042 | | 29 | 34 | 26 | 8 | 25 |
| MBB0120X11 | | Grey | RAL 7035 | UL 94 V-0 | | | | 9,2 | |
| MBB0120B11 | | Black | | UL 94 V-0, oil resistant | | | | | |
| MBB0126G11 | 20 - 26 | Grey | RAL 7042 | | 38 | 46 | 30 | 15 | 25 |
| MBB0126X11 | | Grey | RAL 7035 | UL 94 V-0 | | | | 17,4 | |
| MBB0126B11 | | Black | | UL 94 V-0, oil resistant | | | | | |
| MBB0135G11 | 26 - 35 | Grey | RAL 7042 | | 48 | 57,5 | 33 | 25 | 10 |
| MBB0135X11 | | Grey | RAL 7035 | UL 94 V-0 | | | | 28 | |
| MBB0135B11 | | Black | | UL 94 V-0, oil resistant | | | | | |

Look more about materials at Comparison of materials on page 153.

Single grommets T-GET are for leading through both low and medium power current cables as well various types of tubing. The grommets are suitable for in- and outdoor applications. These grommets fit to openings made with Dimensions of mm. T-GET model has new double seal design where top side of the grommet is closed and therefore it is possible to use it as plug.

Technical specifications

- IP67 total protection against ingress of dust and protection against the effects of immersion between 15,0 cm and 1,0 m
- Made of TPE material
- Flame resistant UL 94 V-0 (look at product table)
- Plate wall thickness between 1 - 5 mm and 1,2 - 5,2 mm.
- Available for cables with 3 to 60 mm diameter
- Operating temperature from -40 °C to +100 °C



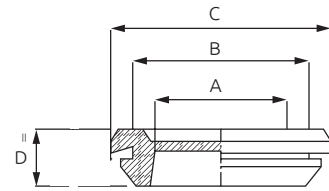
| Order code | Cable diameter (mm) | Color | Shade | Classification | Dimensions (mm) | | | Plate thickness (mm) | Weight (g) | Package (pcs) |
|------------|---------------------|-------|----------|--------------------------|-----------------|----|------|----------------------|------------|---------------|
| | | | | | A | B | C | | | |
| MBB0305G11 | 3 - 5 | Grey | RAL 7042 | | 12 | 19 | 20,9 | 1 - 5 | 2,8 | 50 |
| MBB0305X11 | | Grey | RAL 7035 | UL 94 V-0 | | | | | | |
| MBB0305B11 | | Black | | UL 94 V-0, oil resistant | | | | | | |
| MBB0307G11 | 5 - 7 | Grey | RAL 7042 | | 16 | 23 | 21,6 | 1 - 5 | 3,2 | 50 |
| MBB0307X11 | | Grey | RAL 7035 | UL 94 V-0 | | | | | | |
| MBB0307B11 | | Black | | UL 94 V-0, oil resistant | | | | | | |
| MBB0310G11 | 7 - 10 | Grey | RAL 7042 | | 20 | 27 | 24,3 | 1 - 5 | 4,3 | 50 |
| MBB0310X11 | | Grey | RAL 7035 | UL 94 V-0 | | | | | | |
| MBB0310B11 | | Black | | UL 94 V-0, oil resistant | | | | | | |
| MBB0314G11 | 10 - 14 | Grey | RAL 7042 | | 25 | 32 | 24,8 | 1 - 5 | 8 | 50 |
| MBB0314X11 | | Grey | RAL 7035 | UL 94 V-0 | | | | | | |
| MBB0314B11 | | Black | | UL 94 V-0, oil resistant | | | | | | |
| MBB0320G11 | 14 - 20 | Grey | RAL 7042 | | 32 | 39 | 28,1 | 1 - 5 | 12 | 25 |
| MBB0320X11 | | Grey | RAL 7035 | UL 94 V-0 | | | | | | |
| MBB0320B11 | | Black | | UL 94 V-0, oil resistant | | | | | | |
| MBB0326G11 | 20 - 26 | Grey | RAL 7042 | | 40 | 46 | 31,8 | 1 - 5 | 16,4 | 25 |
| MBB0326X11 | | Grey | RAL 7035 | UL 94 V-0 | | | | | | |
| MBB0326B11 | | Black | | UL 94 V-0, oil resistant | | | | | | |
| MBB0335G11 | 26 - 35 | Grey | RAL 7042 | | 50 | 57 | 39,7 | 1 - 5 | 24 | 10 |
| MBB0335X11 | | Grey | RAL 7035 | UL 94 V-0 | | | | | | |
| MBB0335B11 | | Black | | UL 94 V-0, oil resistant | | | | | | |
| MBB0345G11 | 30 - 45 | Grey | RAL 7042 | | 60 | 69 | 59,6 | 1 - 5 | 54 | 5 |
| MBB0345X11 | | Grey | RAL 7035 | UL 94 V-0 | | | | | | |
| MBB0345B11 | | Black | | UL 94 V-0, oil resistant | | | | | | |
| MBB0360B11 | 40 - 60 | Black | | UL 94 V-0, oil resistant | 80 | 89 | 78,2 | 1,2 - 5,2 | 110 | 5 |

Look more about materials at [Comparison of materials](#) on page 153.

Single grommets T-GD, T-GDM are for leading through both low and medium power current cables and also various types of tubing. The grommets are suitable for in- and outdoor applications. The T-GD grommets fit to openings made with Dimensions of PG and the T-GDM grommets fit to openings made with metric Dimensions (mm).

Technical specifications

- IP54 protection against dust and water splashed from all directions.
- Made of TPE material
- Flame resistant UL 94 V-0
- Plate wall thickness between 1 - 2 mm and 1,5 - 3 mm.
- Available for cables with 9 to 69 mm diameter
- Operating temperature from -40 °C to +100 °C



T-GD

| Order code | Cable diameter (mm) | Color | Dimensions (mm) | | | | Plate thickness (mm) | Weight (g) | Package (pcs) |
|------------|---------------------|---------|-----------------|------|----|----|----------------------|------------|---------------|
| | | | A | B | C | D | | | |
| MBB0509B11 | 9 | Black ● | 9 | 15,5 | 20 | 7 | 1 - 2 | 2 | 100 |
| MBB0511B11 | 11 | Black ● | 11 | 18,5 | 23 | 7 | 1 - 2 | 3 | 100 |
| MBB0513B11 | 13,5 | Black ● | 13,5 | 20,5 | 25 | 7 | 1 - 2 | 4 | 100 |
| MBB0516B11 | 16 | Black ● | 16 | 22,5 | 28 | 7 | 1 - 2 | 4 | 100 |
| MBB0521B11 | 21 | Black ● | 21 | 28 | 35 | 9 | 1 - 2 | 12 | 100 |
| MBB0529B11 | 29 | Black ● | 29 | 37 | 44 | 10 | 1 - 2 | 16 | 100 |
| MBB0536B11 | 36 | Black ● | 36 | 47 | 54 | 12 | 1,5 - 3 | 17 | 100 |
| MBB0548B11 | 48 | Black ● | 48 | 60 | 68 | 12 | 1,5 - 3 | 54 | 50 |
| MBB0553B11 | 53 | Black ● | 53 | 64 | 75 | 12 | 1,5 - 3 | 110 | 50 |
| MBB0569B11 | 69 | Black ● | 69 | 79 | 90 | 12 | 1,5 - 3 | 110 | 30 |

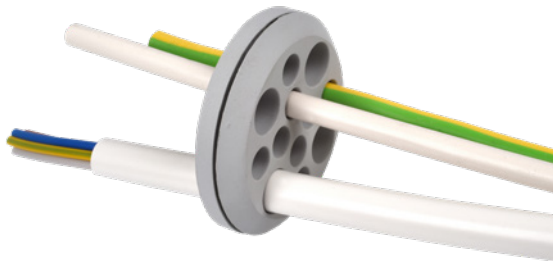
Look more about materials at Comparison of materials on page 153.

T-GDM

| Order code | Cable diameter (mm) | Color | Dimensions (mm) | | | | Plate thickness (mm) | Weight (g) | Package (pcs) |
|------------|---------------------|---------|-----------------|------|----|----|----------------------|------------|---------------|
| | | | A | B | C | D | | | |
| MBB0609B11 | 9 | Black ● | 9 | 12,2 | 17 | 7 | 1 - 2 | 2 | 100 |
| MBB0611B11 | 11 | Black ● | 11 | 16,2 | 21 | 7 | 1 - 2 | 3 | 100 |
| MBB0613B11 | 13,5 | Black ● | 13,5 | 20,5 | 25 | 7 | 1 - 2 | 4 | 100 |
| MBB0616B11 | 16 | Black ● | 16 | 25,2 | 31 | 7 | 1 - 2 | 4 | 100 |
| MBB0621B11 | 21 | Black ● | 21 | 32,2 | 40 | 9 | 1 - 2 | 12 | 100 |
| MBB0629B11 | 29 | Black ● | 29 | 40,2 | 48 | 10 | 1 - 2 | 16 | 100 |
| MBB0636B11 | 36 | Black ● | 36 | 50,2 | 58 | 12 | 1,5 - 3 | 17 | 100 |
| MBB0648B11 | 48 | Black ● | 48 | 60,2 | 68 | 12 | 1,5 - 3 | 54 | 50 |
| MBB0653B11 | 53 | Black ● | 53 | 70,2 | 81 | 12 | 1,5 - 3 | 110 | 50 |
| MBB0669B11 | 69 | Black ● | 69 | 80,2 | 91 | 12 | 1,5 - 3 | 110 | 30 |

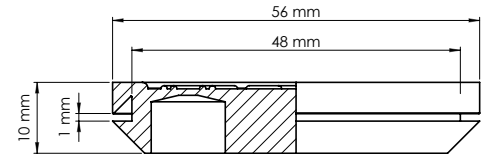
Look more about materials at Comparison of materials on page 153.

Single grommets MGD are for leading through both low and medium power current cables as well various types of tubing. The grommets are made of TPE-S material and are suitable for in- and outdoor applications. The grommets fit to standard M50 opening.



Technical specifications

- IP54 protection against dust and water splashed from all directions.
- Made of EPDM material
- Plate wall thickness between 1 - 2 mm and 1,5 - 3 mm.
- Available for cables with 3 to 16 mm diameter
- Service temperature for unstressed material -40 °C to +100 °C



| Order code | Color | Cable diameter | Weight (g) | Package (pcs) |
|------------|-----------------------|-----------------------|------------|---------------|
| MBB0712L11 | Light Grey (RAL 7035) | 8 x 9 mm & 4 x 13 mm | 20 | 50 |
| MBB0707L11 | Light Grey (RAL 7035) | 4 x 10 mm & 3 x 16 mm | 20 | 50 |

Look more about materials at Comparison of materials on page 153.

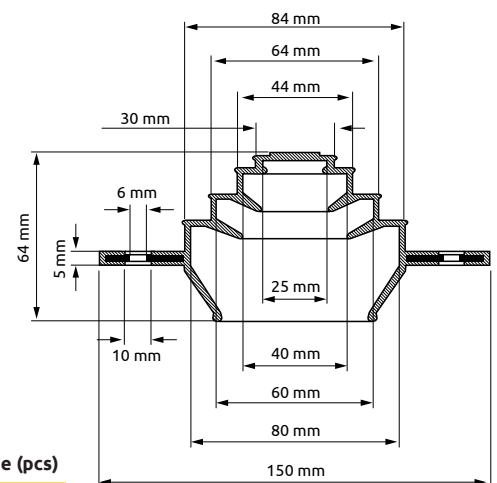
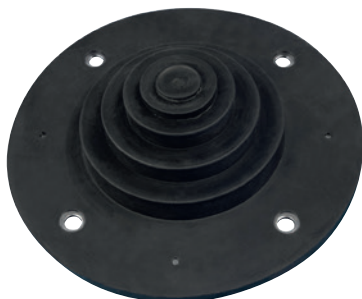
Single grommets M 20-80

Single grommets M 20-80 are for leading through both low and medium power current cables as well various types of tubing.

Single grommets M 20-80 are an excellent solution for the cables with the higher diameter - up to 80 mm diameter. The grommets are suitable for in- and outdoor applications.

Technical specifications

- Made of TPE material
- Flame resistant UL 94 V-0
- Plate wall thickness 1,5 - 3 mm.
- Available for cables with 20 to 80 mm diameter
- Service temperature for unstressed material -40 °C to +100 °C



| Order code | Color | Classification | Weight (g) | Package (pcs) |
|------------|-----------------------|--------------------------|------------|---------------|
| MBA6N80G11 | Grey (RAL 7042) | | 260 | 50 |
| MBA6N80X11 | Light Grey (RAL 7035) | UL 94 V-0 | 260 | 50 |
| MBA6N80B11 | Black | UL 94 V-0, Oil resistant | 260 | 50 |

Look more about materials at Comparison of materials on page 153.