

iView Advanced HMI - H Series



Technical Datasheet

Key Features

- In-built FTP functionality
- Up to 3 x serial ports inc. screwless terminals
- In-built Ethernet port for remote connectivity
- 2 x USB ports (1 x USB A, 1 x USB B)
- Remote monitoring using VNC (web) server
- MicroSD and USB for data logging
- In-built offline software simulation
- Aluminium bezel
- IP66 rated
- Email Support
- IOT Support - IDCS & MQTT
- Android application



Options & Ordering Codes

IV 07 H - S E A A

Series Name
iView HMI **IV**

Screen Size (diagonal)

7.0"	07
10.4"	10
12.1"	12
15.0"	15

Hardware Specification
See specification **H**

Bezel Material
A Aluminium

COM Ports
A (RS232 / 485 / 422), (RS232 / 485), (RS232)

Connectivity

E	Ethernet
O	No Ethernet*
A	Ethernet + Audio Out*
V	Ethernet + Video In*
F	Ethernet + Audio Out + Video In* + COM4

Operation
S Standard

Specifications

Ordering Codes	IV07H-SEAA	IV10H-SEAA	IV12H-SEAA	IV15H-SEAA
Size	7.0"	10.4"	12.1"	15.0"
Resolution / Colours	800 x 480 / 65K	800 x 600 / 65K	1024 x 768 / 65K	1024 x 768 / 65K
System Memory	256 MB	256 MB	256 MB	256 MB
In-built Storage Memory	1024 MB	1024 MB	1024 MB	1024 MB
Battery Backup Memory	1 MB	1 MB	1 MB	1 MB
COM 1	RS 232/422/485	RS 232/422/485	RS 232/422/485	RS 232/422/485
COM 2	RS 232/485	RS 232/485	RS 232/485	RS 232/485
COM 3	RS 232	RS 232	RS 232	RS 232
USB	2	2	2	2
Real Time Clock	Built In	Built In	Built In	Built In
MicroSD Card	Up To 16 GB	Up To 16 GB	Up To 16 GB	Up To 16 GB
Audio / Video	Optional	Optional	Optional	Optional
Certification	UL, CE, cUL, FCC	UL, CE, cUL, FCC	UL, CE, cUL, FCC	UL, CE, cUL, FCC
Ratings	IP66	IP66	IP66	IP66
Voltage Ratings	24VDC ±10% Isolated	24VDC ±10% Isolated	24VDC ±10% Isolated	24VDC ±10% Isolated
Power Ratings	20 W	20 W	20 W	20 W
Operating Temperature	-20°C to +60°C	-20°C to +60°C	-20°C to +60°C	-20°C to +60°C
Net Weight	0.8kg	1.25kg	1.9kg	2.68kg

iView Advanced HMI - H Series

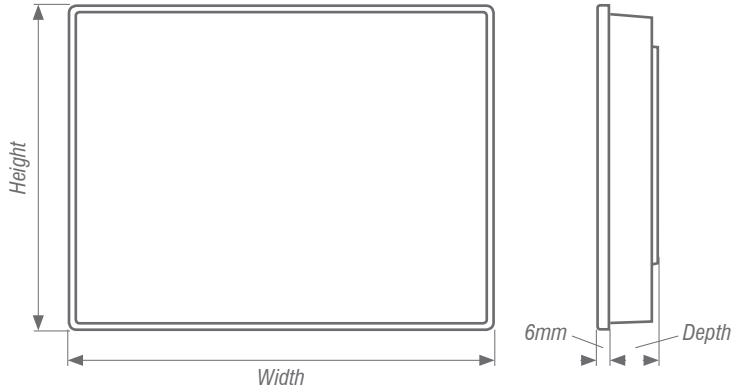


Accessories

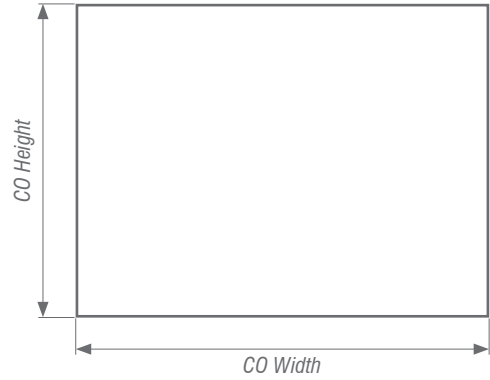
Technical Datasheet

Part Number	MSD-16GB	IV-USB
Description	16GB MicroSD Card	USB Programming Cable

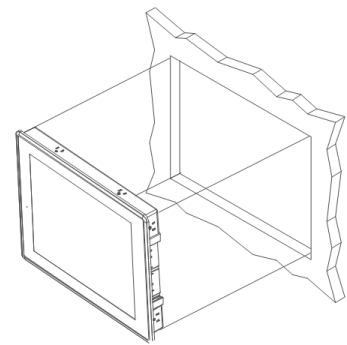
Dimensions



Cut Out Dimensions



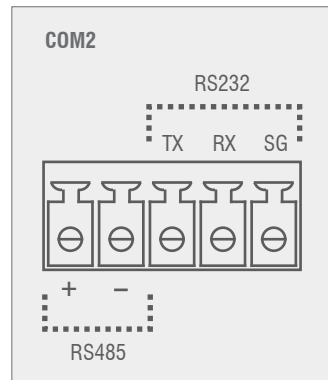
Model	Width	Height	Depth	CO Width	CO Height
IV07H-SEAA	213.6mm	158.6mm	40.5mm	192.0mm	138.5mm
IV10H-SEAA	280.3mm	222.3mm	45.0mm	259.5mm	201.5mm
IV12H-SEAA	317.4mm	243.8mm	58.0mm	301.5mm	228.0mm
IV15H-SEAA	399.1mm	297.6mm	57.5mm	384.5mm	283.0mm



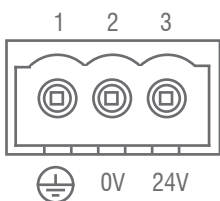
Serial Port Connections

B-Type COM1 / COM3

Pin	Description
1	RS422 TXD +/RS485 +
2	RS232 RXD (COM1)
3	RS232 TXD (COM1)
4	RS422 RXD +
5	SG
6	RS422 TXD-/RS485-
7	RS232 TXD (COM3)
8	RS232 RXD (COM3)
9	RS422 RXD-



Power Supply



NOTE: Do not open the rear cover of the panel when power is applied